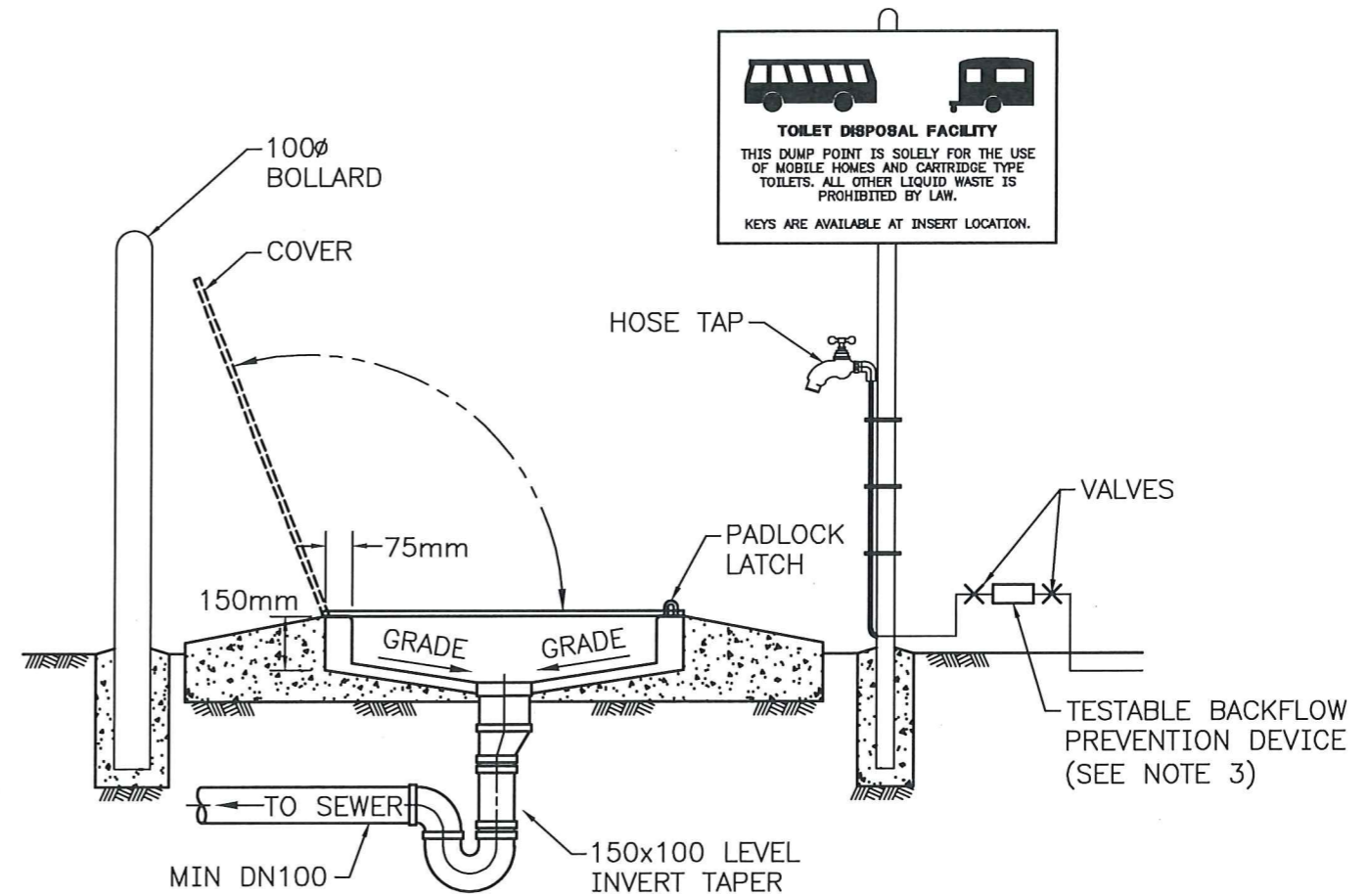
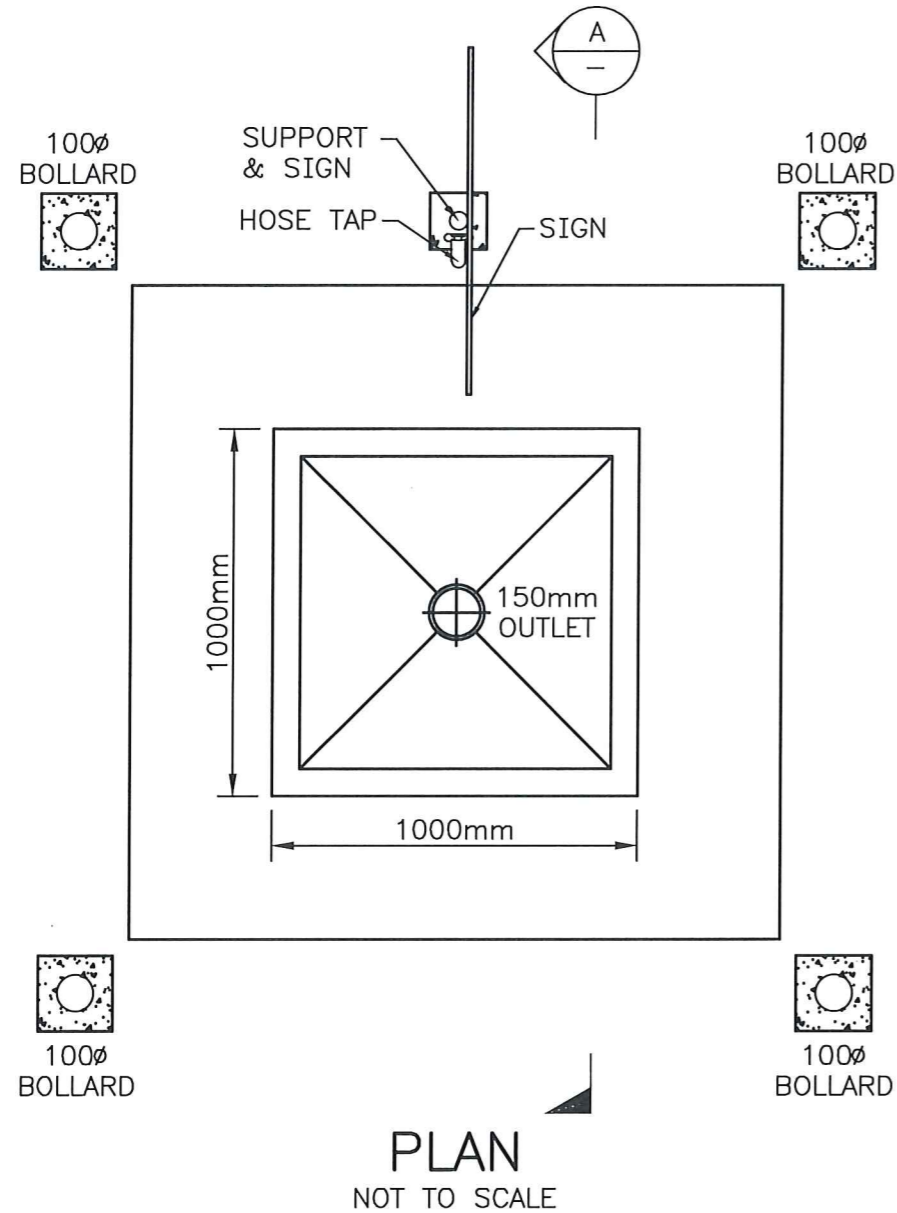


FOR MORE INFORMATION REFER TO OUR TRADE WASTE WEB PAGE
<http://www.watercorporation.com.au/tradewaste>

GUIDELINES:

1. ALL DIMENSIONS ARE IN MILLIMETRES.
2. CARAVAN AND RECREATION VEHICLE (RV) PORTABLE TOILET CARTRIDGE DUMP POINT FACILITY TO HAVE A HINGED LOCKABLE LID.
3. THE HOSE TAP IS TO BE PROVIDED WITHIN 2m OF THE DUMP POINT AND HAVE AN APPROPRIATE TESTABLE BACKFLOW PREVENTION DEVICE FITTED.
4. PROVIDE 100Ø BOLLARDS ON EACH CORNER TO PROTECT DUMP POINT FROM VEHICLE DAMAGE.
5. THIS TYPICAL DRAWING IS TO BE READ WITH TRADE WASTE INFORMATION BROCHURE – PUB40.
6. ALL ASSOCIATED PLUMBING WORK IS TO COMPLY WITH THE PLUMBERS LICENSING AND PLUMBING STANDARDS REGULATIONS 2000 (THE PLUMBING REGULATIONS) AND LATEST VERSIONS OF AS/NZS 3500.1 AND AS/NZS 3500.2.
7. REQUIRED TO INSTALL APPROPRIATE HIGH RISK BACKFLOW PREVENTION DEVICES ON ALL WATER SERVICE CONNECTIONS TO THE PROPERTY AT THE PROPERTY BOUNDARY.



ISSUE	DATE	GRID	REVISION	DRN	REC	APPD
C	03/2020		PLUMBING REGULATION TITLE AND DRAWING NAME UPDATED, NOTE 7 ADDED	JMS	NT	ML
B	07/2016		WEBSITE DETAILS ADDED, GUIDELINES AMENDED	BJ	SJ	MS

DES CALC	RECOMMENDED	03/07/2009		WATER CORPORATION			ORIGINAL SHEET SIZE
DES CHD	A MAZINGER (SIGNED)			TYPICAL DRAWINGS FOR TRADE WASTE			A3
DRN	APPROVED	03/07/2009		CARAVAN AND RECREATION VEHICLE (RV) PORTABLE TOILET CARTRIDGE			MF
A CLEAVER	M STARK (SIGNED)			DUMP POINT FACILITY			
Q.C. CHD	MANAGER, INDUSTRIAL WASTES		FILE	58582853	PLAN	HX33-18-80	CAD ISSUE
G CLEAVER			PROJECT				C