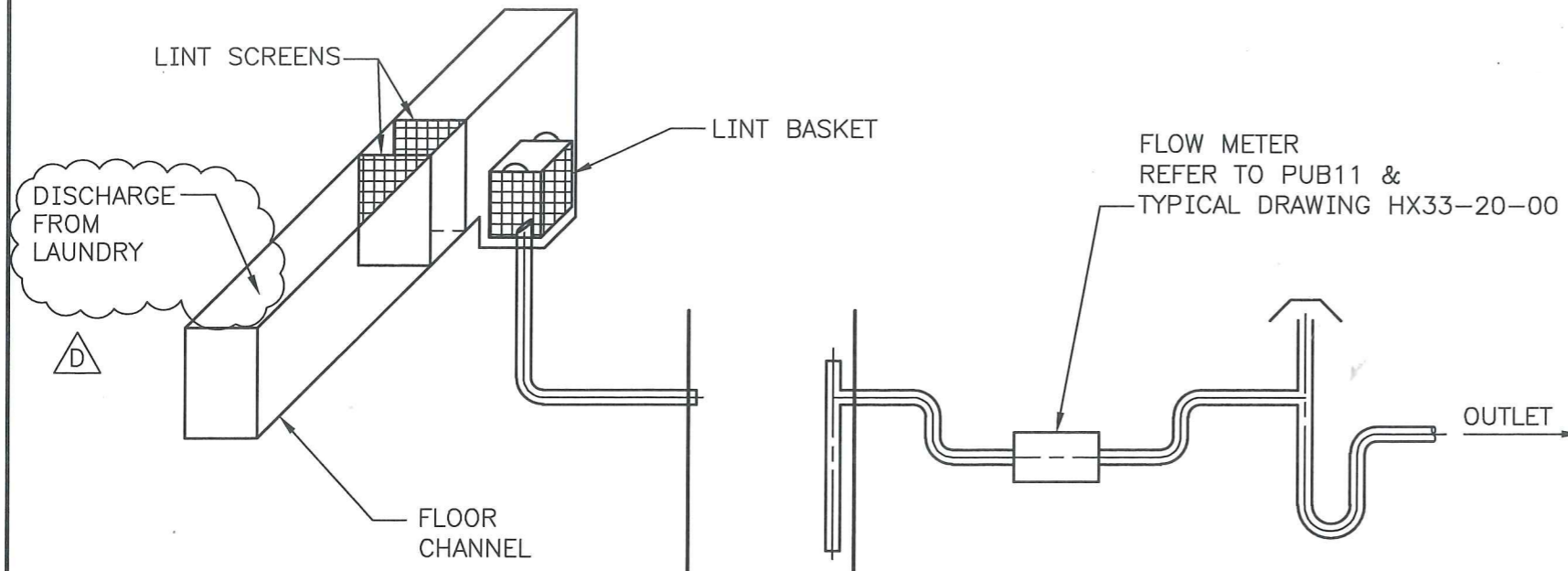


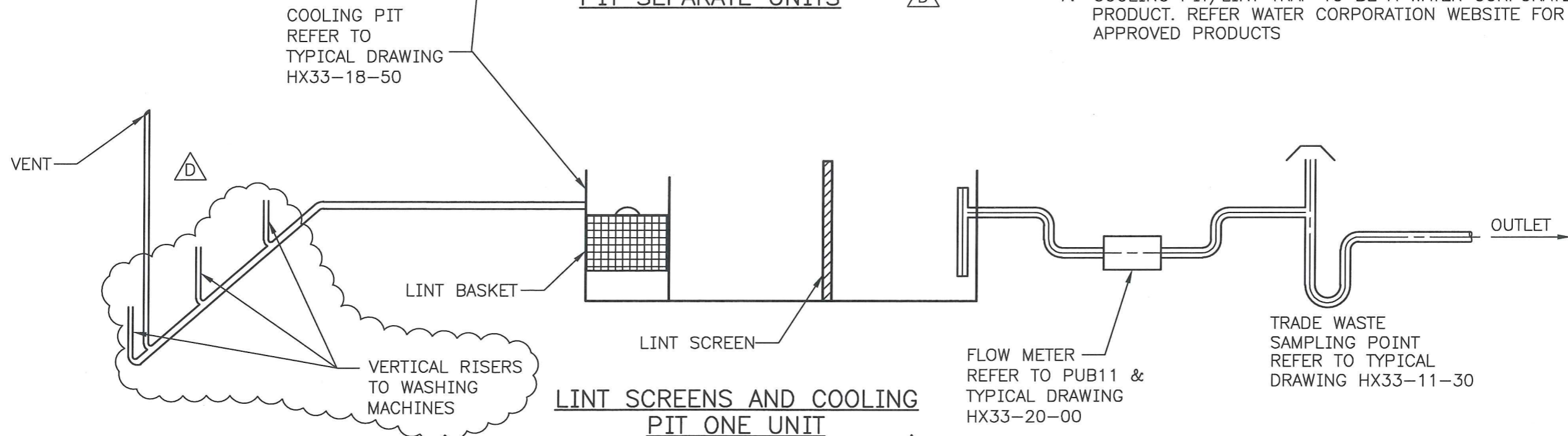
FOR MORE INFORMATION REFER TO OUR TRADE WASTE WEB PAGE
<http://www.watercorporation.com.au/tradewaste>

GUIDELINES 


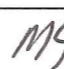
1. LINT SCREENS AND BASKETS ARE TO BE SIZED APPROPRIATELY TO FLOW RATES FROM LAUNDRY AT THE DESIGN STAGE BY A HYDRAULIC CONSULTANT.
2. COOLING PITS ARE TO BE INSTALLED TO REDUCE THE TEMPERATURE OF WASTE TO MAX. 38°C, MEASURED AT THE TRADE WASTE SAMPLING POINT. REFER TO TYPICAL DRAWING HX33-18-50.
3. TRADE WASTE MONITORING POINT TO BE INSTALLED DOWNSTREAM OF PRE-TREATMENT FIXTURE. REFER TO PUB11 AND TYPICAL DRAWING HX33-20-00.
4. ALL LAUNDRY WASTE ARE TO DISCHARGE VIA TRADE WASTE SAMPLING POINT (REFER TO TYPICAL DRAWING HX33-11-30) DOWNSTREAM OF FLOWMETER AND WITHIN MAX. 2 METRES OF EXTERNAL PULSE PLUG AND GENERAL PURPOSE POWER POINT.
5. AIR ADMITTANCE VALVE SHALL NOT BE USED IN CONNECTION WITH TRADE WASTE PRE-TREATMENT FIXTURES.
6. ALL ASSOCIATED PLUMBING WORK IS TO COMPLY WITH THE PLUMBERS LICENSING AND PLUMBING STANDARDS REGULATIONS 2000 (THE PLUMBING REGULATIONS) AND LATEST VERSIONS OF AS/NZS 3500.1 AND AS/NZS 3500.2.
7. COOLING PIT/LINT TRAP TO BE A WATER CORPORATION APPROVED PRODUCT. REFER WATER CORPORATION WEBSITE FOR LIST OF APPROVED PRODUCTS





LINT SCREENS AND COOLING PIT SEPARATE UNITS 



LINT SCREENS AND COOLING PIT ONE UNIT 

ISSUE	DATE	GRID	REVISION	DRN	REC	APPD
D	02/2020		PLUMBING REGULATION TITLE UPDATED, NOTE 7 ADDED, NOTES 2,3 AND 4 CHANGED	JMS		
C	07/2016		WEBSITE DETAILS ADDED, GUIDELINES AMENDED	BJ	SJ	MS
B	06/2009		NOTES 5 & 6 ADDED	RJ	GC	AM

SCALE: DIAGRAMMATIC

DES CALC	RECOMMENDED	01/08/2005		WATER CORPORATION		ORIGINAL SHEET SIZE		
DES CHD	A MANZINGER			TYPICAL DRAWINGS FOR TRADE WASTE			A3	
DRN	SENIOR ASSESSMENTS OFFICER			COMMERCIAL LAUNDRIES		D MF		
DRN	APPROVED	01/08/2005		FILE	58584709		PLAN	HX33-18-60
Q.C. CHD	J HEWITT			PROJECT				
G CLEAVER	MANAGER, INDUSTRIAL WASTES							