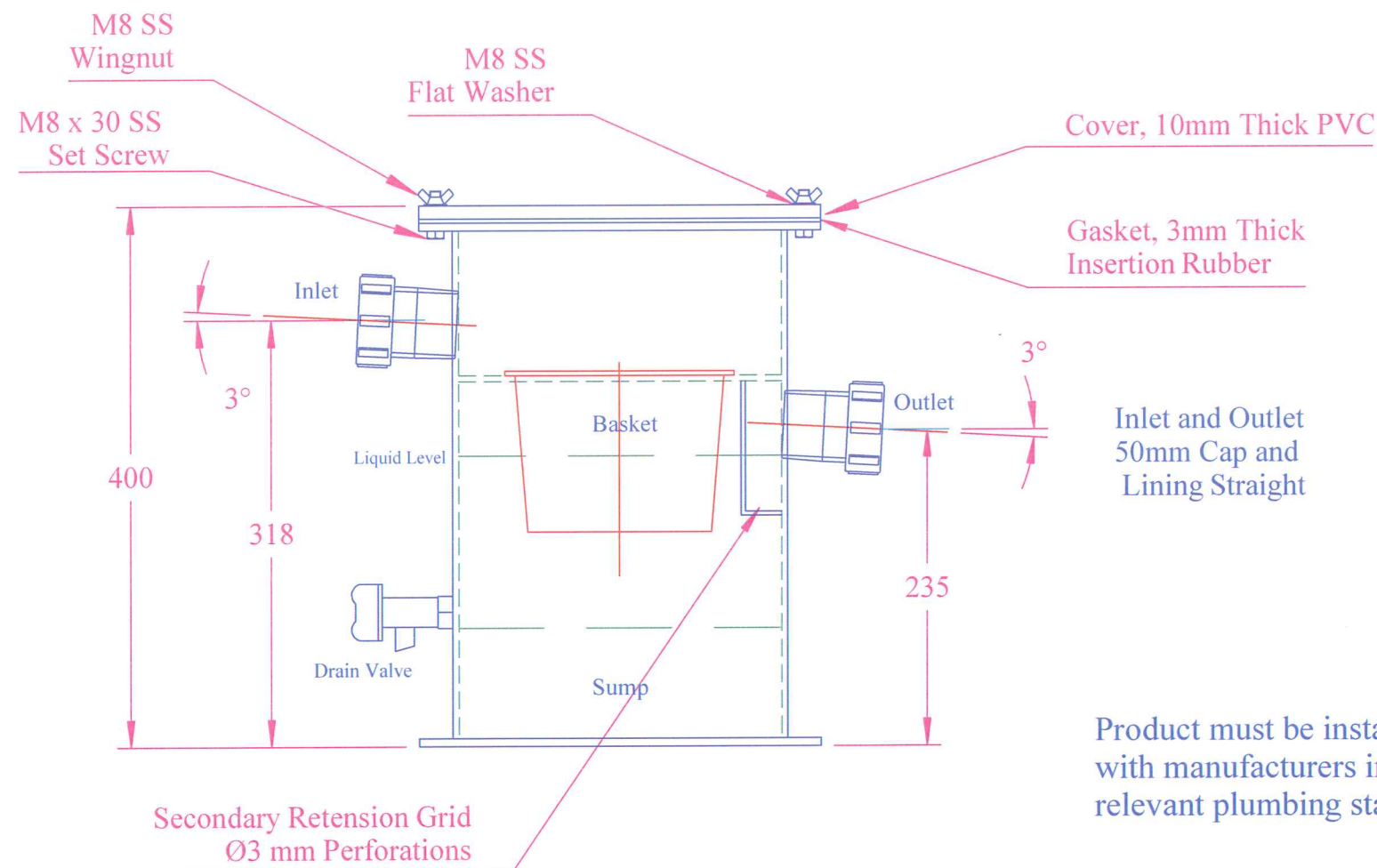


OUTLET AND DRAIN VALVE LOCATION TO BE CONFIRMED BY CUSTOMER

Drain valve is typically located under the inlet

NOTES

1. Internal Liquid Volume (to overflow) 9.58 Litres (Approx)
2. Total Volume - 17.24 Litres
3. Easily removable Basket Strainer
Strainer average aperture size 12mm².
Other sizes available on request
4. Strainer Volume - 1.77 litres
5. Major components fabricated in chemical resistant uPVC.
HDPE available on request
6. Neoprene Rubber Gasget seals lid to prevent odours
7. Inlet, Outlet and Drain valve orientation specified by customer to suit installation
8. Each Plaster Trap has a unique serial number engraved on the Base plate, Top Plate and Identification Disc attached to the Basket
9. Inlet and outlet connections with loose 50mm nut for ease of removal
10. A Secondary grid with Ø3 perforations is installed across the outlet to prevent solids from escaping if the basket is not reinstalled



Product must be installed in accordance with manufacturers instructions and relevant plumbing standards

1. All dimensions in mm unless stated otherwise


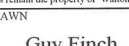
1. Issued for Approval
Mark Up any changes and amendments
Customer Name

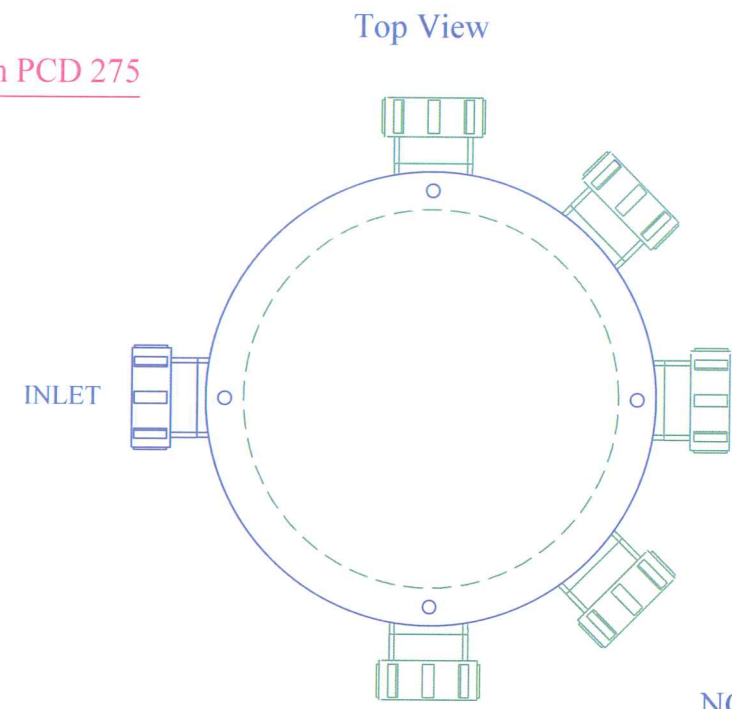
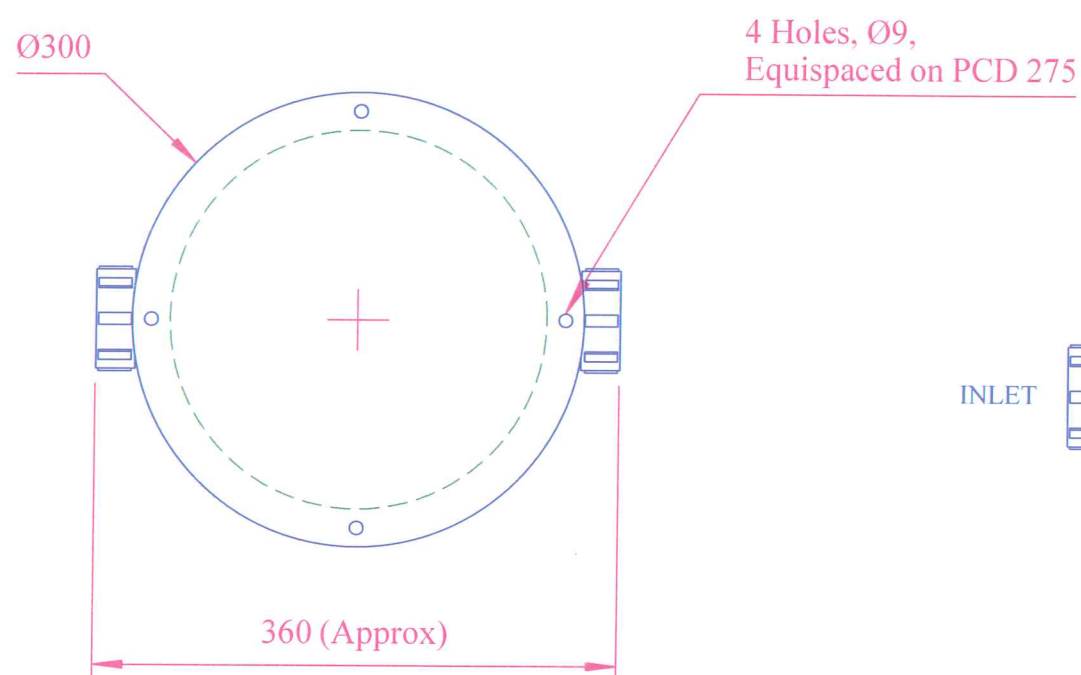
Signature
Date

2. Issued for Manufacture/Install

Issued By _____ Date _____

Notes.

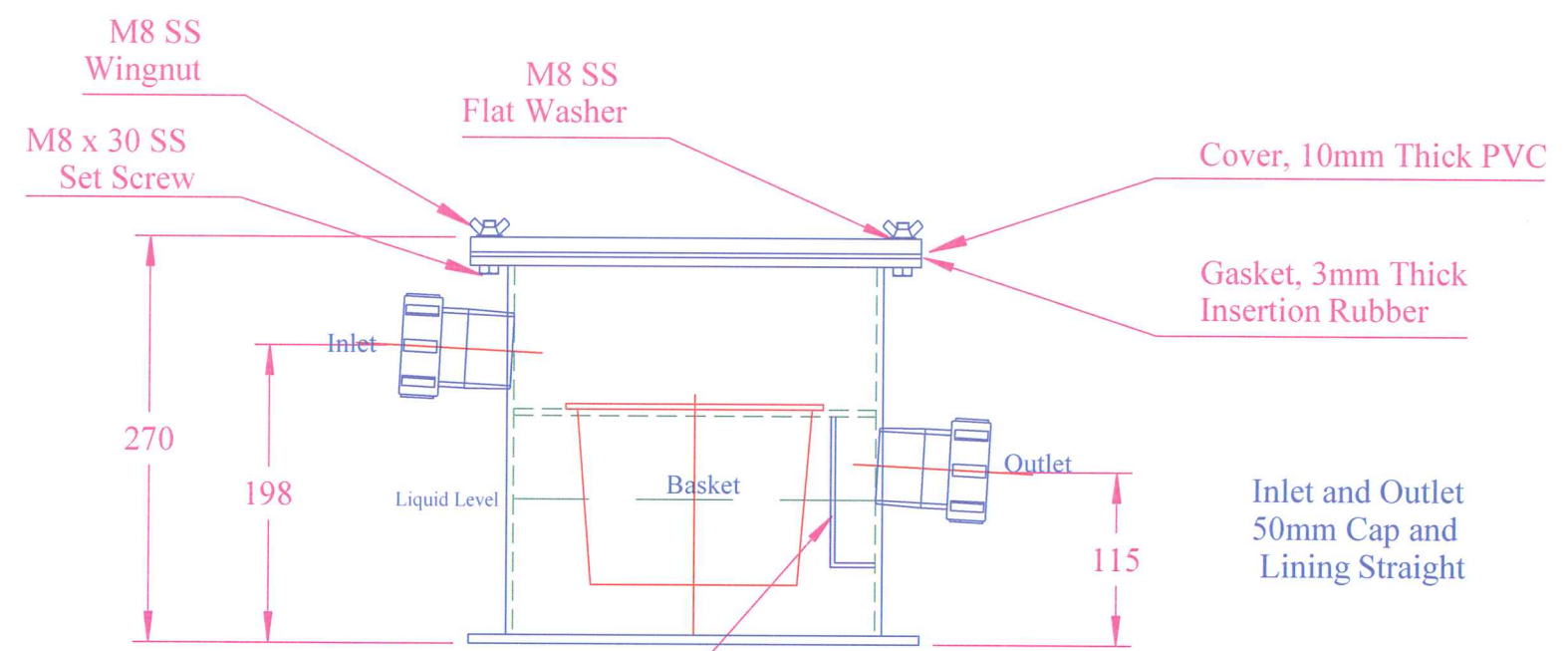
NAME (Print)	Date	Client	 <small>13B Stone Street ARMADALE, W.A. 6112 Phone 61 8 9456 1112 Email sales@waltonplastics.com.au Website www.waltonplastics.com.au</small>
Assigned To		Project	
Fabrication Completed			
QC Complete			
Issued for Release			
Quote #			<small>This drawing, its design and contents remain the property of Walton Plastics Engineering</small> DRAWN  DWG NO. GHFE-PTRAP-001 REV 4 SCALE 1:5 DATE 15 Feb 2016 SHEET SIZE
JOB #			



OUTLET LOCATION TO BE CONFIRMED BY CUSTOMER

NOTES

1. Internal Liquid Volume (to overflow) 4.10 Litres (Approx)
2. Total Volume - 11.17 Litres
3. Easily removable Basket Strainer
Strainer average aperture size 12mm².
Other sizes available on request
4. Strainer Volume - 1.77 litres
5. Major components fabricated in chemical resistant uPVC.
HDPE available on request
6. Neoprene Rubber Gasket seals lid to prevent odours
7. Inlet and Outlet orientation specified by customer to suit installation
8. Each Plaster Trap has a unique serial number engraved on the Bottom plate, Top Plate and a tag attached to the Basket
9. Inlet and outlet connections with loose 50mm nut for ease of removal
10. A Secondary grid with Ø3 perforations is installed across the outlet to prevent solids from escaping if the basket is not reinstalled



Product must be installed in accordance with manufacturers instructions and relevant plumbing standards

1. All dimensions in mm unless stated otherwise

1. Issued for Approval
Mark Up any changes and amendments
Customer Name _____
Signature _____
Date _____

2. Issued for Manufacture/Install
Issued By _____ Date _____

	NAME (Print)	Date	Client
Assigned To			Project
Fabrication Completed			
QC Complete			
Issued for Release			
	Quote #		
	JOB #		

WP Walton Plastics Engineering
1311 Stone Street
ARMADALE, W.A. 6112
Phone 61 8 9456 1112
Email sales@waltonplastics.com.au
Website www.waltonplastics.com.au

TITLE: **Under Bench Plaster Trap - SHORT**

This drawing, its design and contents remain the property of Walton Plastics Engineering.

SCALE 1 : 5	DATE 15 Feb 2016	SHEET 1	REV 1
-------------	------------------	---------	-------