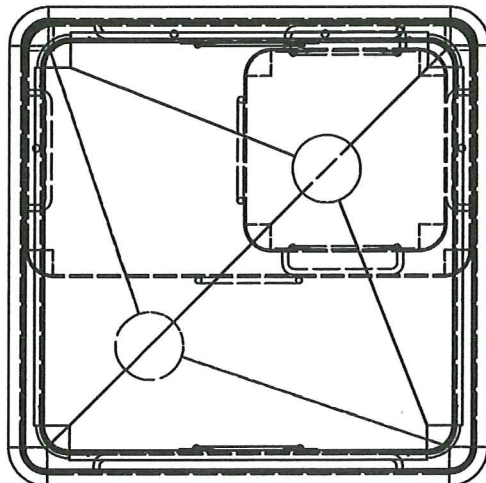
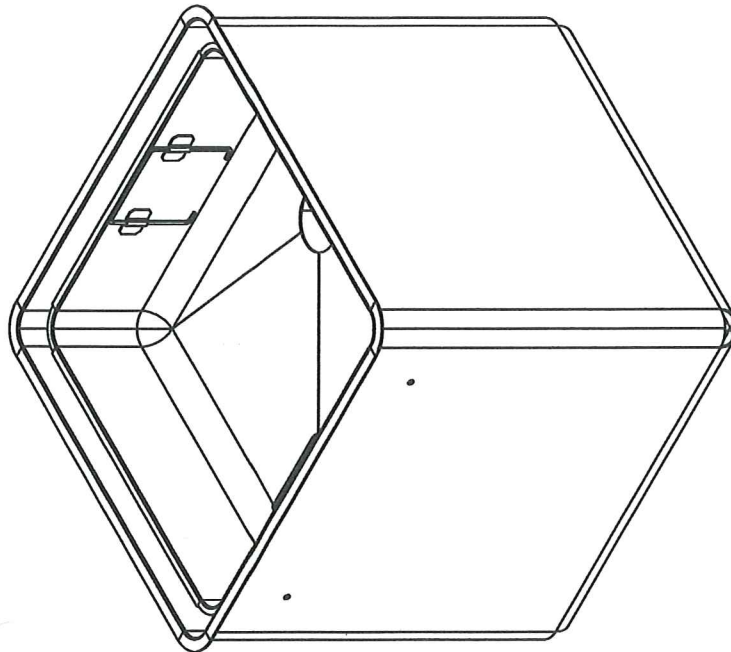
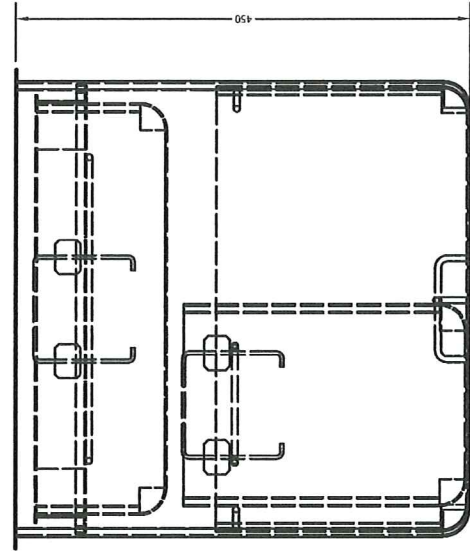
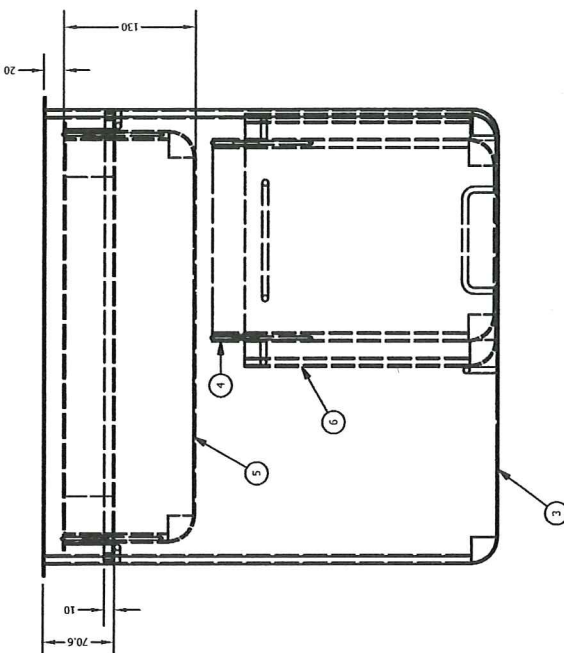


PARTS LIST		
ITEM	QTY	PART NUMBER
3	1	195092 450 X 450 X 450
4	1	195092 200 X 200 X 200
5	1	406.8 X 406.8 X 130 - COMPLETE
6	1	195092 440 X 250 X 250



REMOVE ALL SHARP EDGES



GENERAL NOTES

- THIRD ANGLE PROJECTION UNLESS NOTED.
- REMOVE ALL SHARP EDGES, CORNERS & COLLARS - HOLS.
- DIMENSIONS IN PARENTHESES UNLESS NOTED.
- HOLS. DIMENSIONS IN PARENTHESES UNLESS NOTED.
- BEAD ANGLES ARE PREFERENTIAL UNLESS NOTED.
- VIEWS TO CONFORM TO AS 1554.1:2000.
- DO NOT SCALE DRAWING, IF IN DOUBT, ASK.

THE INFORMATION CONTAINED HEREIN IS CONFIDENTIAL AND IF THE SOLE PROPERTY OF ROCKPRESS. ANY USE, REPRODUCTION, RETENTION OR TRANSMISSION TO OTHERS WITHOUT WRITTEN PERMISSION OF ROCKPRESS IS PROHIBITED.

TOLERANCES
UNLESS NOTED
OR OTHERWISE SPECIFIED:

LINEAR:
XX.XX ± 1.50mm
XX.X ± 0.75mm
XX.XX ± 0.25mm

ANGULAR:
 ± 0° 30'

CLIENT: SMART SINKS
DRAWING NO: **195092**
TITLE: S/S SINKS
PART NO: 195092.iam
MATERIAL: STAINLESS

37 COLERIDGE STREET, EAST ASQUITH, QLD, 4115, AUSTRALIA
P.O. BOX 994, ANCHERFIELD, QLD, 4110, AUSTRALIA
Tel: 07 3200 1100 Fax: 07 3200 1106
Web: www.rockpress.com.au Email: info@rockpress.com.au

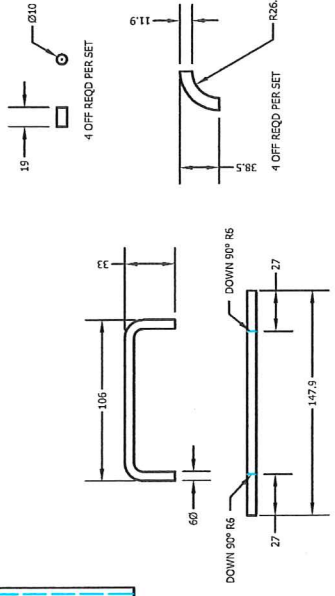
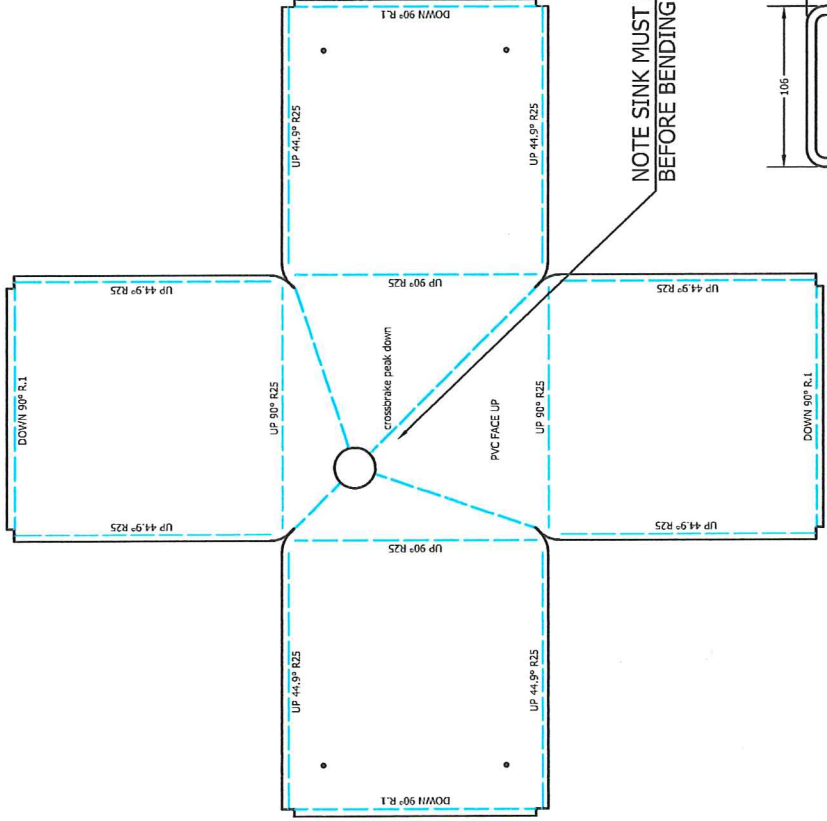
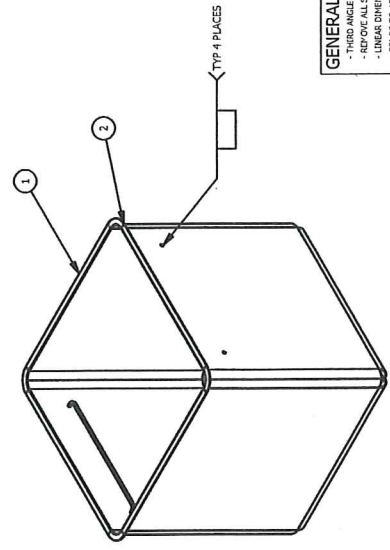
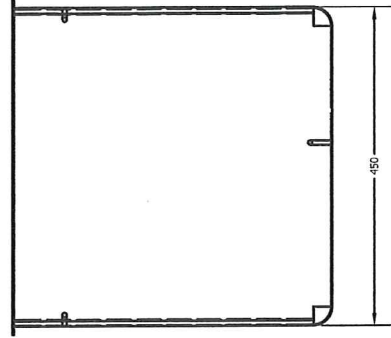
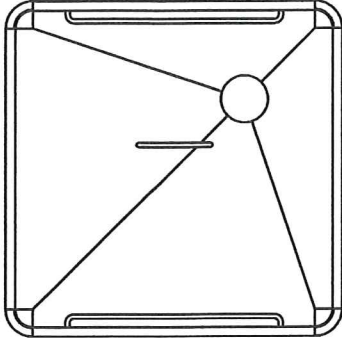
SHEET # **1 of 8**

REV	DESCRIPTION	DATE	BY	DRAWN
-	ORIGINAL ISSUE	14/06/2011	JC	JC

REVISION HISTORY

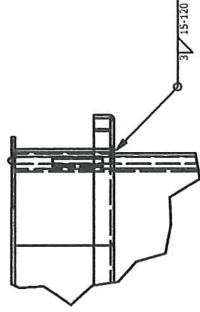
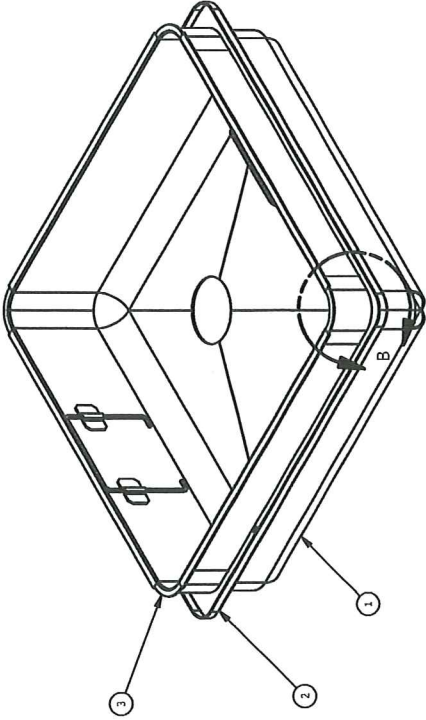
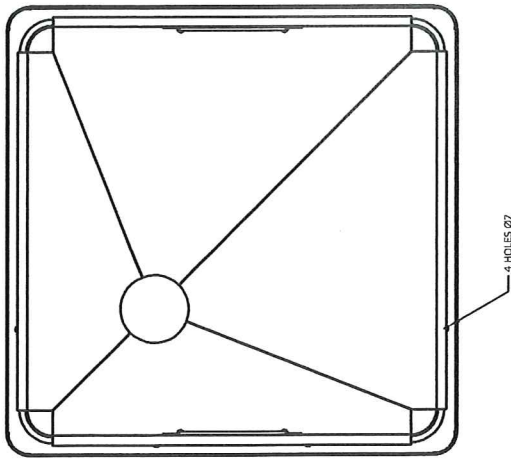
8-AUTOCADSMART SINKS(SINKS)195092-SMART SINKS.FW

PARTS LIST			
ITEM	QTY	PART NUMBER	MATERIAL
1	1	450 X 450 X 450-DEEP	Stainless 304/2B 1.6mm
2	4	450 X 450 X 450-DEEP CORNER	Stainless 304/2B 1.6mm
4	1	155922-STAINLESS HANDLE	6.0mm DIA
5	2	300 LONG HANDLE	6.0mm

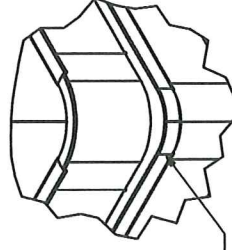


		SMART SINKS 195092 5/S SINKS		450 X 450 X 450-DEEP.ipt Stainless 304/2B 1.6mm	
GENERAL NOTES - THIRD ANGLE PROJECTION UNLESS NOTED. - REMOVE ALL SHARP EDGES, CORNERS & CHAMFER HOLES. - LINEAR DIMENSIONS IN MILLIMETRES UNLESS NOTED. - DIMS TO AS UNLESS NOTED. - DIMS TO CORNER TO AS UNLESS NOTED. - DO NOT SCALE DRAWING. P/N IN QUOTE ASK. - THE DIMENSIONS OF THIS DRAWING ARE THE PROPERTY OF ROCKPRESS. NO REUSE, REPRODUCTION, OR PUBLICATION, IN WHOLE OR IN PART, WITHOUT THE WRITTEN PERMISSION OF ROCKPRESS IS PERMITTED.		TOLERANCES UNLESS NOTED OR OTHERWISE SPECIFIED: DIMS: XX.X ± 0.25mm XX.XX ± 0.125mm XX.XXX ± 0.05mm ANGULAR: ° ± 0.3°		CLIENT SMART SINKS 195092 5/S SINKS	
REVISION HISTORY		DATE 14/06/2011		DRAWN JC	
ORIGINAL ISSUE		DESCRIPTION		SHEET # 2 of 8	
REVISION HISTORY		DATE		DRAWN	

ROCKLEA PRESSED METAL
 EST. 1973
 37 COLEBARD STREET EAST, SACKA RIDGE QLD 4118, AUSTRALIA
 P.O. BOX 918, ROCKLEA, QLD 4118, AUSTRALIA
 TEL: 07 5522 1111
 WEB: www.rockpress.com.au
 EMAIL: rock@rockpress.com.au



DETAIL A
SCALE 0.40 : 1



BOTH SIDES TYP 8 PLACES

DETAIL B
SCALE 0.40 : 1

PARTS LIST			
ITEM	QTY	PART NUMBER	MATERIAL
1	1	406.8 X 406.8 X 130-DEEP	Stainless 304/2B 1.6mm
2	1	155092-GUTTER	
3	4	440 X 440 X 150-DEEP CORNER	Stainless 304/2B 1.6mm
4	2	GRAB HANDLE	

CLIENT: SMART SINKS
DRAWING NO: 195092
DESCRIPTION: S/S SINKS

406.8 X 406.8 X 130 - COMPLETE.ipt
MATERIAL:

rockPRESS
ROCKLEA PRESSED METAL
EST. 1972

37 COLEBARD STREET EAST, ACACIA RIDGE QLD 4107 AUSTRALIA
P.O. BOX 994, ARCHERFIELD, QLD 4110 AUSTRALIA
WEB: www.rockpress.com.au EMAIL: rock@rockpress.com.au

SHEET # 3 of 8

REVISION HISTORY

REV	ORIGINAL ISSUE	DATE	BY	DRAWN
-		14/06/2011	JC	JC

GENERAL NOTES

- THIRD ANGLE PROJECTION UNLESS NOTED.
- REFER TO ALL SHARP EDGES, CORNERS & RADIUS HOLS.
- ALL DIMENSIONS UNLESS NOTED.
- BEGS TO AS UNLESS NOTED.
- BEND ANGLES ARE INTERNAL UNLESS NOTED.
- WELDS TO CONFORM TO AS 1554.1:2000.
- DO NOT SCALE DRAWING, IF IN DOUBT, ASK.

TOLERANCES UNLESS NOTED

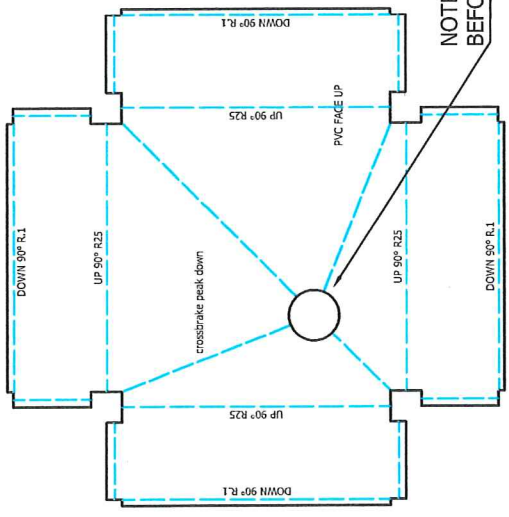
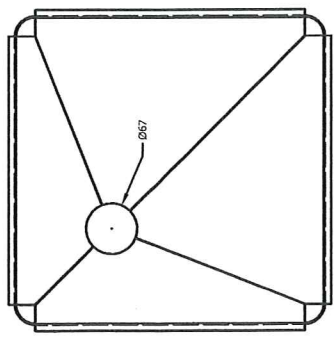
ON CUSTOMER DRAWING

LINEAR: XX ± 1.50mm
XX ± 0.75mm
XX ± 0.15mm

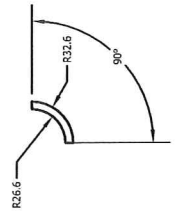
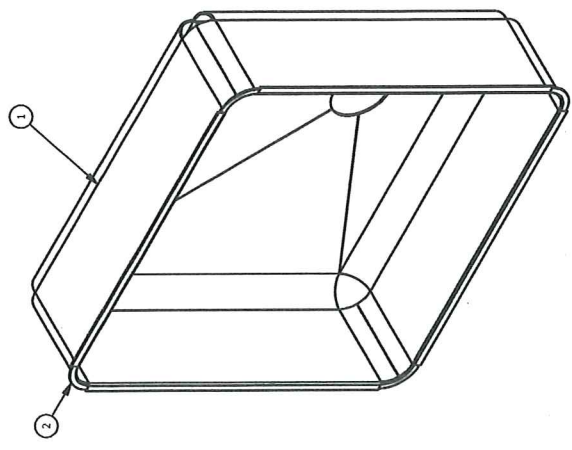
ANGULAR: ± 0° 30'

THE INFORMATION CONTAINED HEREON IS CONFIDENTIAL AND IS THE SOLE PROPERTY OF ROCKPRESS. ANY USE, REPRODUCTION, RETENTION OR TRANSMISSION TO OTHERS WITHOUT WRITTEN PERMISSION OF ROCKPRESS IS PROHIBITED.

PARTS LIST			
ITEM	QTY	PART NUMBER	MATERIAL
1	1	406.8 x 406.8 x 130-DEEP	Stainless 304/32B 1.6mm
2	4	406.8 x 406.8 x 130 CORNER	Stainless 304/32B 1.6mm

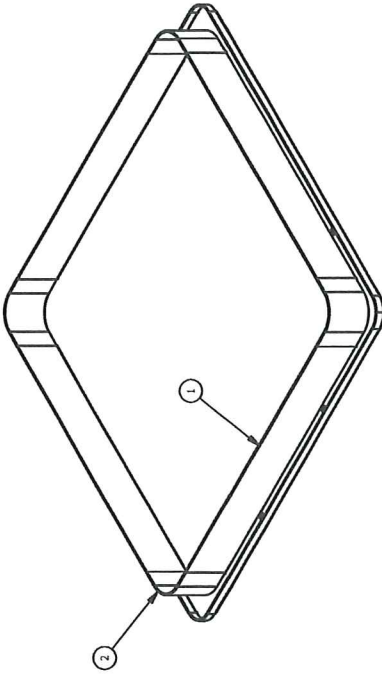


NOTE SINK MUST HAVE RECESS BEFORE BENDING 90° FOLDS

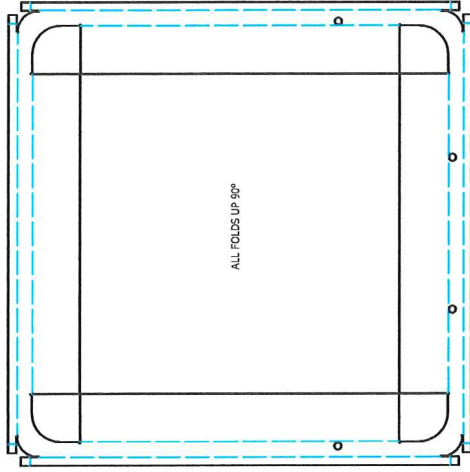
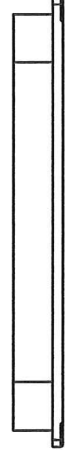
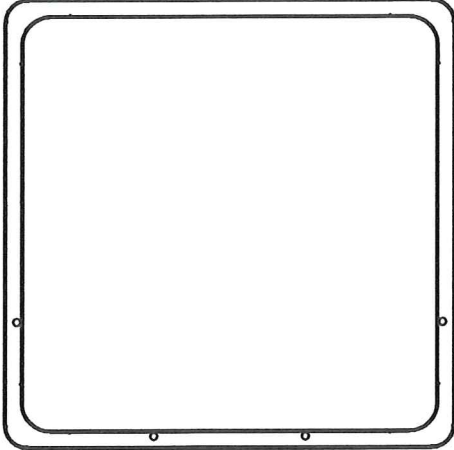


4 OFF REQD PER SET

		SMART SINKS 195092 5/S SINKS	
CLIENT: SMART SINKS DRAWING NO: 195092 PART NO: 406.8 X 406.8 X 130-DEEP.ipt MATERIAL: Stainless 304/32B 1.6mm		TOLERANCES UNLESS NOTED OR STATED ON CUSTOMER DRAWING: DIMS: XX.X ± 0.25mm XX.XX ± 0.25mm ANGULAR: ± 0° 30'	
GENERAL NOTES - THIRD ANGLE PROJECTION UNLESS NOTED. - REMOVE ALL SHARP EDGES, CORNERS & BURR HOLS. - LINEAR DIMENSIONS IN MILLIMETRES UNLESS NOTED. - DIMS TO AS - UNLESS NOTED. - BEND ANGLES ARE INTERNAL UNLESS NOTED. - FOLDS TO CORNER TO BE 90° UNLESS NOTED. - DO NOT SCALE DRAWING, IT IS FOR REF ONLY.		THE INFORMATION CONTAINED HEREIN IS CONFIDENTIAL AND IS THE SOLE PROPERTY OF ROCKPRESS. ANY USE OR REPRODUCTION OF THIS INFORMATION WITHOUT EXPRESS WRITTEN PERMISSION IS PROHIBITED.	
ORIGINAL ISSUE DATE: 14/06/2011 DRAWN: JC	REVISION HISTORY		
REV	DESCRIPTION		



4 OFF PER SET



PARTS LIST			
ITEM	QTY	PART NUMBER	MATERIAL
1	1	195092-GUTTER	Stainless 304/2B 1.6mm
2	4	195092-GUTTER-FILL-A	Stainless 304/2B 1.6mm

FACTORY
SMART SINKS
195092
5/S SINKS

rockPRESS
 ROCKLEA PRESSED METAL
 EST. 1973

195092-GUTTER.iam
 5 of 8

BY: ROBERT BIRCHALL
 P.O. BOX 984, ROCKLEA, QLD 4110, AUSTRALIA
 PH: 07-3295 1566 FAX: 07-3195 1356
 WEB: www.rockpress.com.au EMAIL: rock@rockpress.com.au

GENERAL NOTES

- THIRD ANGLE PROJECTION UNLESS NOTED.
- REMOVE ALL SHARP EDGES, CORNERS & EQUILIBRIUM HOLES.
- LINEAR DIMENSIONS IN MILLIMETRES UNLESS NOTED.
- BEADS TO AS UNLESS NOTED.
- BEAD ANGLES ARE INTERNAL UNLESS NOTED.
- BEADS TO CONFORM TO AS 1574-2000.
- DO NOT SCALE DRAWING, IF IN DOUBT ASK.

TOLERANCES

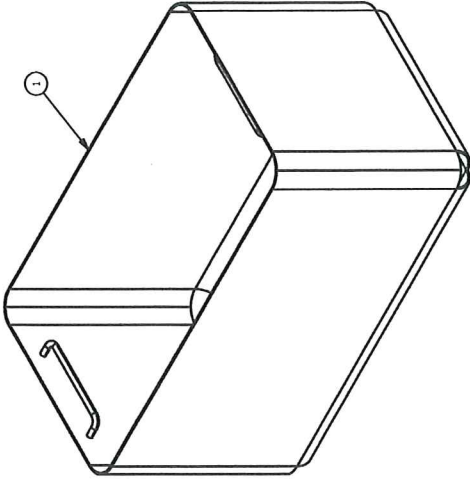
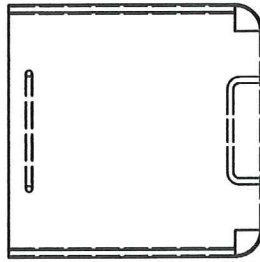
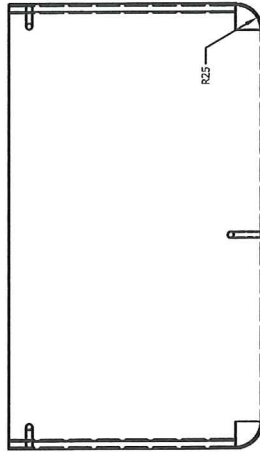
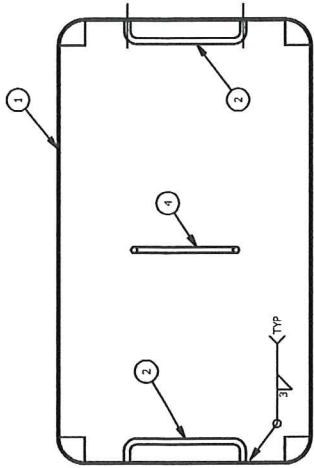
UNLESS NOTED OR STATED ON CUSTOMER DRAWING

LINEAR: ± 0.25mm
 XX.X ± 0.25mm
 XX.XX ± 0.25mm
 ANGULAR: ± 0° 30'

THE INFORMATION CONTAINED HEREIN IS CONFIDENTIAL AND IS THE SOLE PROPERTY OF ROCKPRESS. ANY USE, REPLICATION, REPRODUCTION OR TRANSMISSION IN ANY FORM WITHOUT THE WRITTEN PERMISSION OF ROCKPRESS IS PROHIBITED.

REV	ORIGINAL ISSUE DESCRIPTION	DATE	JC DRAWN
-		14/06/2011	

REVISION HISTORY



DOWN 90° TYP

GENERAL NOTES
 - THIRD ANGLE PROJECTION UNLESS NOTED
 - REMOVE ALL SHARP EDGES, CORNERS & COBURN HOLES.
 - LINEAR DIMENSIONS IN MILLIMETRES UNLESS NOTED.
 - DIMENSIONS TO AS UNLESS NOTED.
 - DIMENSIONS TO AS UNLESS NOTED.
 - DIMENSIONS TO AS UNLESS NOTED.
 - DO NOT SCALE DRAWING. P.P. IN DOLLAR ASK.

TOLERANCES
 UNLESS NOTED
 OR AS SHOWN OTHERWISE DRAWING
 LINEAR: XX.X ± 0.25mm
 XX.XX ± 0.125mm
 XX.XXX ± 0.075mm
 ANGULAR: ± 0° 30'

CLIENT: SMART SINKS
 DRAWING NO: 195092
 TITLE: 440 X 250 X 250 DEEP S/S SINKS
 MATERIAL: 195092 440 X 250 X 250.iam

ITEM	QTY	PART NUMBER	MATERIAL
1	1	440 X 250 X 250-DEEP	Stainless 304/2B 1.6mm
2	2	120 LONG HANDLE	Stainless 304/2B 6.0mm
4	1	195992-STAINLESS HANDLE	Stainless 304/2B 6.0mm

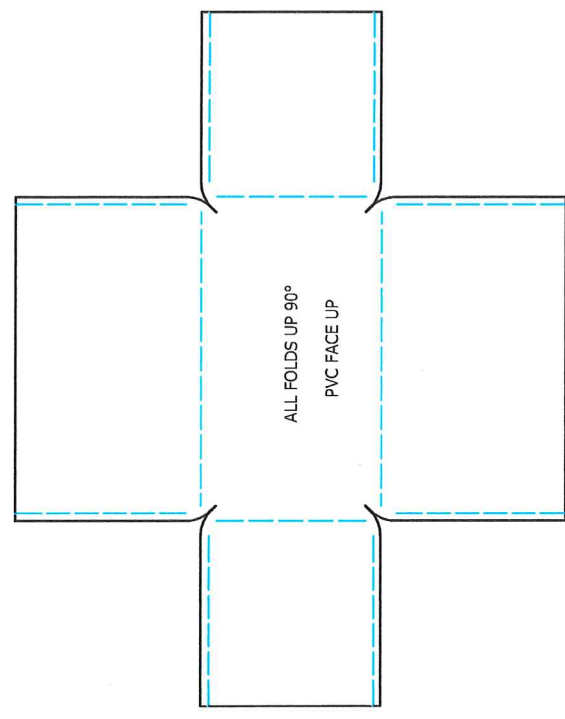
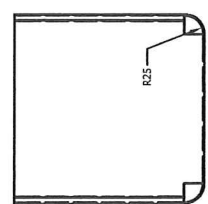
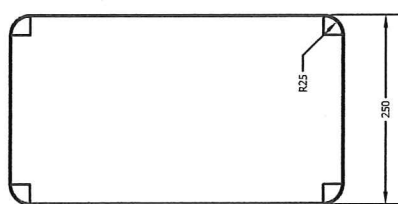
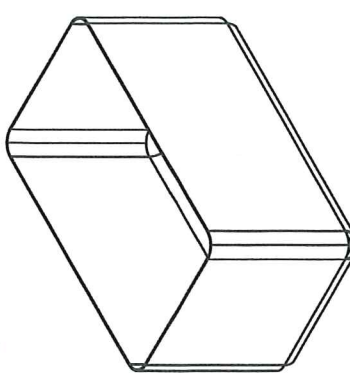
rockPRESS
 ROCKLEA PRESSED METAL
 EST. 1979

37 COLMAR STREET EAST, ROCKLEA, QLD 4119, AUSTRALIA
 P.O. BOX 984, ROCKLEA, QLD 4119, AUSTRALIA
 TEL: 07 5471 1000
 WEB: www.rockpress.com.au
 EMAIL: rock@rockpress.com.au

SHEET # 6 of 8

REV	ORIGINAL ISSUE	DESCRIPTION	DATE	BY	DRAWN
-	14/06/2011			JC	DRAWN

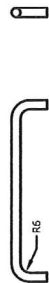
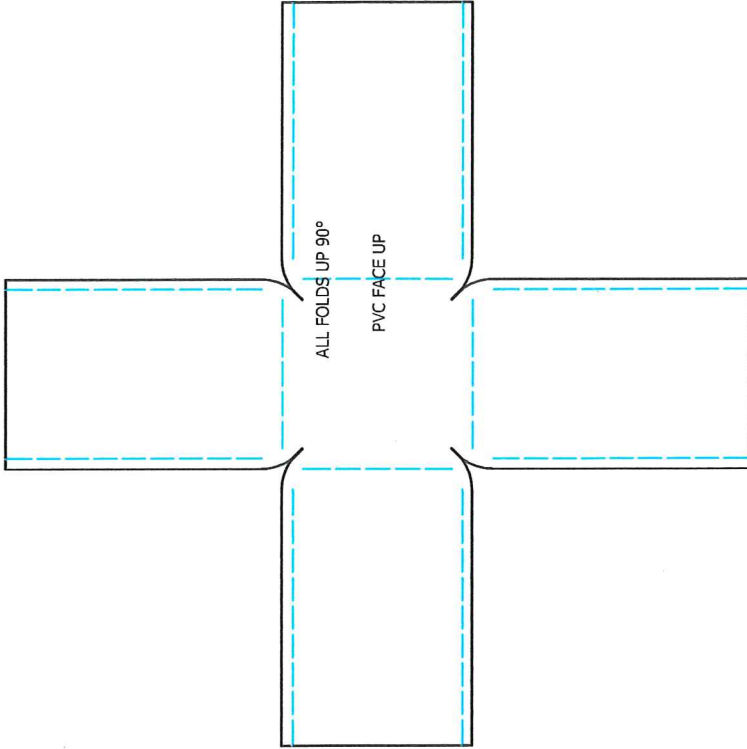
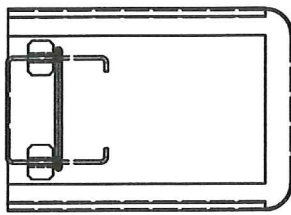
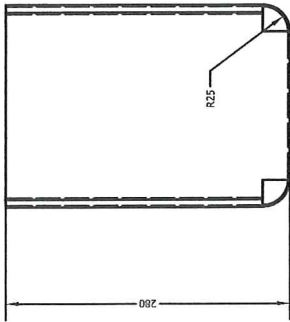
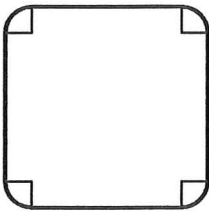
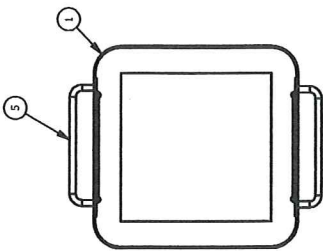
REVISION HISTORY



REV	DESCRIPTION	DATE	JC	DRWN
	ORIGINAL ISSUE	14/06/2011	JC	DRWN
REVISION HISTORY				
GENERAL NOTES - THIRD ANGLE PROJECTION UNLESS NOTED. - REPEAT ALL SHARP EDGES, CORNERS & ROUND HOLES. - LINEAR DIMENSIONS IN MILLIMETRES UNLESS NOTED. - DIMENSIONS TO AG UNLESS NOTED. - DIMENSIONS TO INTERNAL UNLESS NOTED. - DIMENSIONS TO EXTERNAL UNLESS NOTED. - DIMENSIONS TO CENTER UNLESS NOTED. - DO NOT SCALE DRAWING, IF IN DOUBT ASK.				
TOLERANCES UNLESS NOTED AS STATED ON CUSTOMER DRAWING FINISH: 304/2B LINEAR: 3X.X ± 0.25mm 3X.XX ± 0.25mm ANGULAR: ± 0° 30'				
SMART SINKS 195092 250 X 250 X 250 DEEP S/S SINKS 440 X 250 X 250-DEEP IPT Stainless 304/2B 1.6mm				
SMART SINKS ROCKLEA PRESSED METAL EST. 1973 7 GLENVIEW AVENUE, GLENVIEW QLD 4110, AUSTRALIA P.O. BOX 986, ROCKLEA QLD 4110, AUSTRALIA PH: 07 - 3275 1566 FAX: 07 - 3275 1136 WEB: www.rockpress.com.au EMAIL: rock@rockpress.com.au				

PARTS LIST				
ITEM	QTY	PART NUMBER	MATERIAL	
1	1	440 X 250 X 250-DEEP	Stainless 304/2B	1.6mm

PARTS LIST			
ITEM	QTY	PART NUMBER	MATERIAL
1	1	200 X 280 X 280-DEEP	Stainless 304/12B 1.6mm
5	2	120 LONG HANDLE	Stainless 304/12B 6.0mm
6	2	GRAB HANDLE	



DOWN 90° TYP

2 OFF REQD PER SET

GENERAL NOTES

- THIRD ANGLE PROJECTION UNLESS NOTED.
- ALL DIMENSIONS UNLESS OTHERWISE NOTED.
- UNLESS OTHERWISE SPECIFIED, ALL DIMENSIONS ARE IN MILLIMETERS UNLESS NOTED.
- BEVELS TO 45° UNLESS NOTED.
- BEVEL ANGLES ARE INTERNAL UNLESS NOTED.
- WELDS TO CONFORM TO AS 1554.1:2000.
- DO NOT SCALE DRAWING. IF IN DOUBT, ASK.

THE INFORMATION CONTAINED HEREON IS CONFIDENTIAL AND IS THE SOLE PROPERTY OF ROCKPRESS. ANY USE, REPRODUCTION, RETENTION OR TRANSMITTAL TO OTHERS WITHOUT WRITTEN PERMISSION OF ROCKPRESS IS PROHIBITED.

TOLERANCES

PER ISO 2768 OR CUSTOMER DRAWING OR TEXT ON CUSTOMER DRAWING

LINEAR: XX ± 0.150mm
 XXX ± 0.250mm
 XXX ± 0.250mm

ANGULAR: ± 0° 30'

CLIENT: SMART SINKS
 DRAWING NO: 195092
 DESCRIPTION: S/S SINKS
 MATERIAL: 200 X 200 X 280-DEEP IPT
 FINISH: Stainless 304/12B 1.6mm

37 COLEBARD STREET EAST, ACACIA RIDGE QLD 4107, AUSTRALIA
 P.O. BOX 984, ROCKEFIELD, QLD 4110, AUSTRALIA
 TEL: 07 3200 1111
 FAX: 07 3200 1112
 EMAIL: rock@rockpress.com.au
 WEB: www.rockpress.com.au

REV	ORIGINAL ISSUE	DATE	BY	DESCRIPTION
-		14/06/2011	JC	

REVISION HISTORY

R:\AUTOCAD\SMART SINKS\195092-SMART SINKS.dwg

