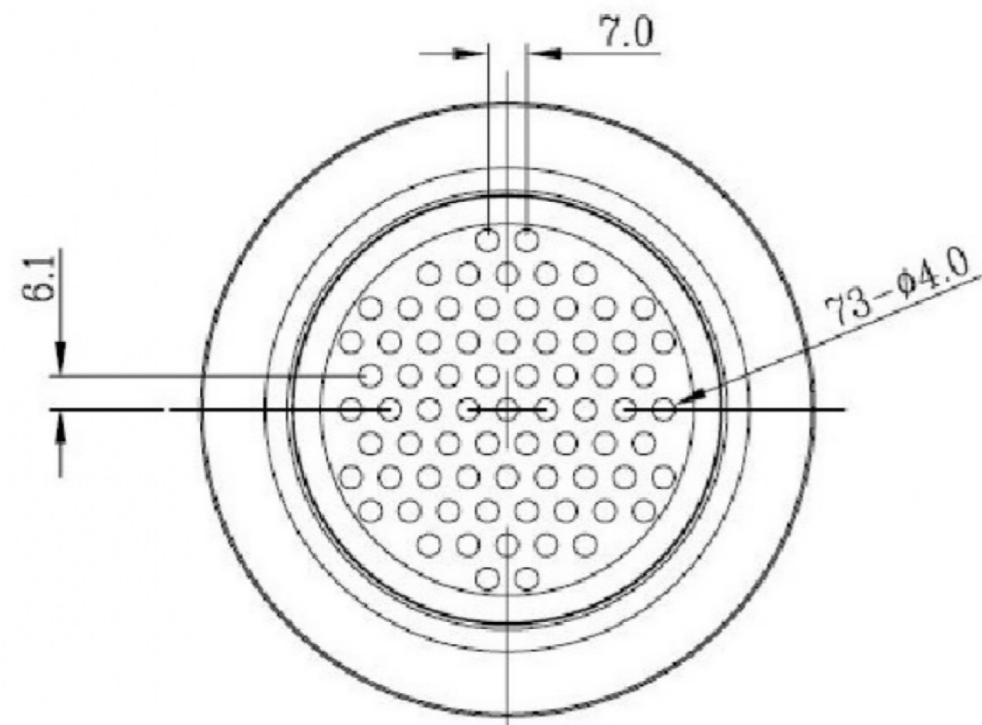
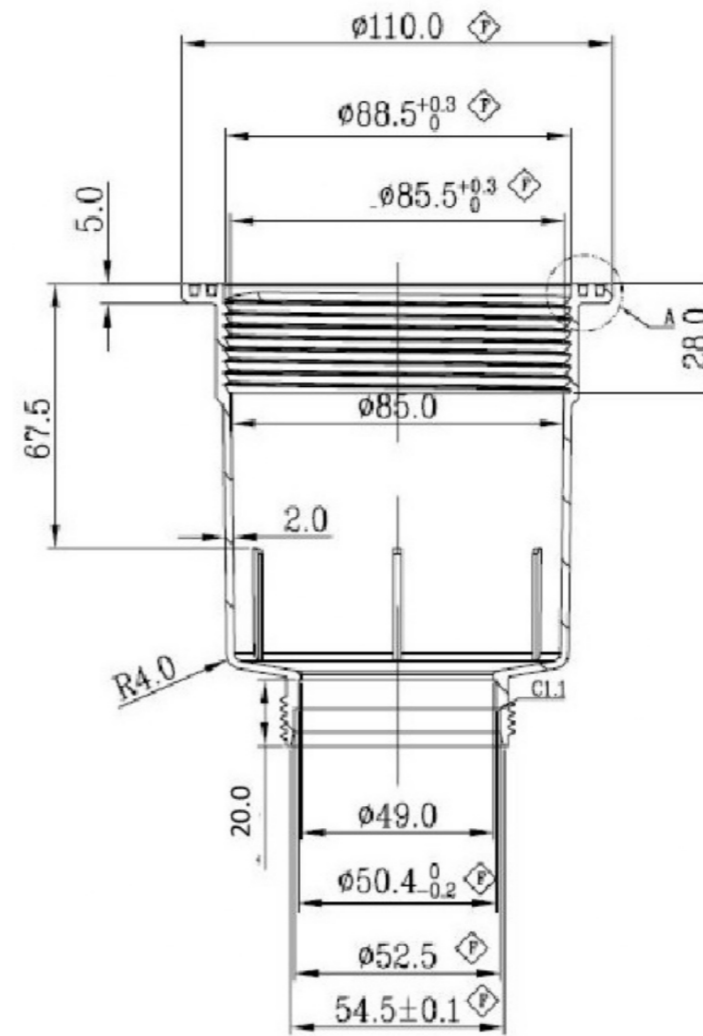


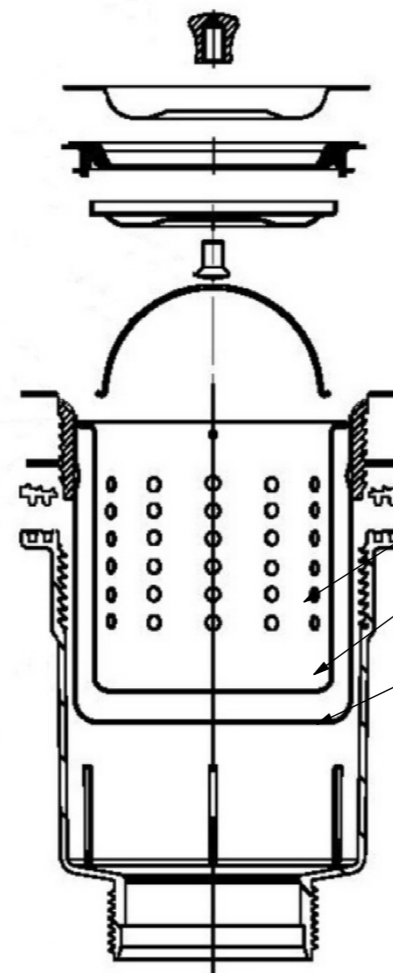
FRONT ELEVATION



PLAN



SECTION VIEW



SECTION VIEW

- Ø3.5mm HOLE (TYP.)
- REMOVABLE PRIMARY BASKET
- FIXED SECONDARY STRAINER WITH Ø4mm PORE SIZE AT BASE.



ATS 5200.040
LICENSE NO. WM-022393
SIMPLY STAINLESS
MODEL NUMBER : 39-SWB



Modular Sinks, Tables & Shelving

COPYRIGHT © 2024
This drawing is the property of CI GROUP PTY LTD. Tradings as SIMPLY OEM and It may not be copied, reproduced or modified in whole or in part without prior written permission of CI GROUP PTY LTD. SIMPLY OEM reserves the right to change specification and design without notice.

| REVISION | REV | DATE | AMENDMENT |
|----------|-----|------|-----------|
| 2 | | | |

| CLIENT'S APPROVAL | | | |
|-------------------|---------------|----------------|--|
| OWNER'S SIGNATURE | | | |
| SALES DEPT. | | DRAFTING DEPT. | |
| MANAGED BY: ES | DRAWN BY: DAJ | | |
| REVIEWED BY: | CHECKED BY: | | |

PROJECT:
39-SINK WASTE AND BASKET - COMPONENTS

PROJECT TITLE:
39-SINK WASTE AND BASKET - COMPONENTS

| DRAWING VERSION: | | | |
|--------------------------------|----------------|--------|-------------|
| CONTROL DRAWING A-VERSION 2024 | | | |
| PRODUCT CODE: | | | |
| 39-SWB | | | |
| COMMENCEMENT DATE: | REVISION DATE: | SCALE: | PAPER SIZE: |
| - | 06-FEB-24 | NTS | A3 |