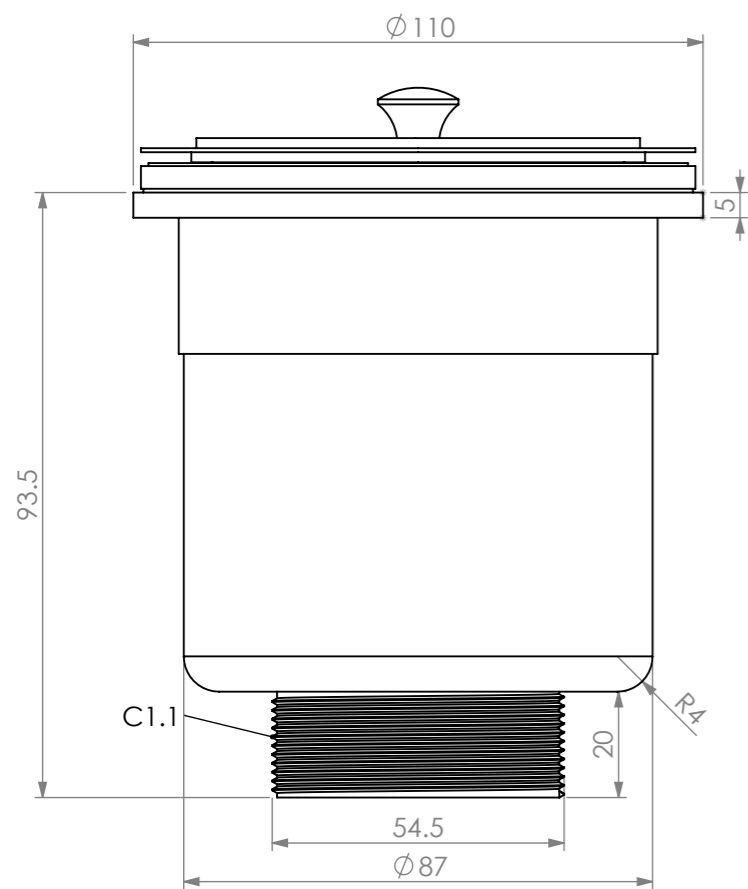


FIXED SECONDARY STRAINER WITH Ø4mm PORE SIZE AT BASE.



**FULLY ASSEMBLED VIEW**



**ASSEMBLING VIEW**



**W** ATS 5200.040  
 LICENSE NO. WM-022393  
 SIMPLY STAINLESS  
 MODEL NUMBER : 39-SWB



**COPYRIGHT © 2024**  
 This drawing is the property of CI GROUP PTY LTD. Tradings as SIMPLY OEM and It may not be copied, reproduced or modified in whole or in part without prior written permission of CI GROUP PTY LTD. SIMPLY OEM reserves the right to change specification and design without notice.

REVISION	REV	DATE	AMENDMENT
2			

CLIENT'S APPROVAL			
OWNER'S SIGNATURE			
SALES DEPT.		DRAFTING DEPT.	
MANAGED BY:	ES	DRAWN BY:	DAJ
REVIEWED BY:		CHECKED BY:	

PROJECT:  
**39-SINK WASTE AND BASKET - ASSEMBLED**

PROJECT TITLE:  
**39-SINK WASTE AND BASKET - ASSEMBLED**

DRAWING VERSION:			
CONTROL DRAWING B-VERSION 2024			
PART NUMBER:			
39-SWB			
COMMENCEMENT DATE:	REVISION DATE:	SCALE:	PAPER SIZE:
-	06-FEB-24	NTS	A3