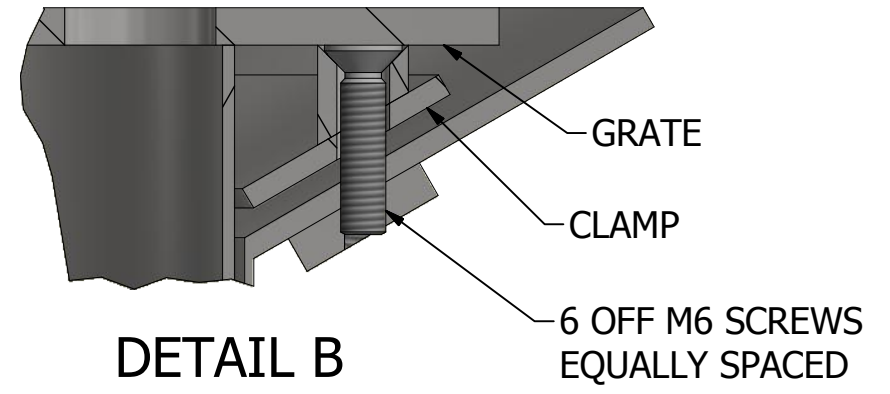
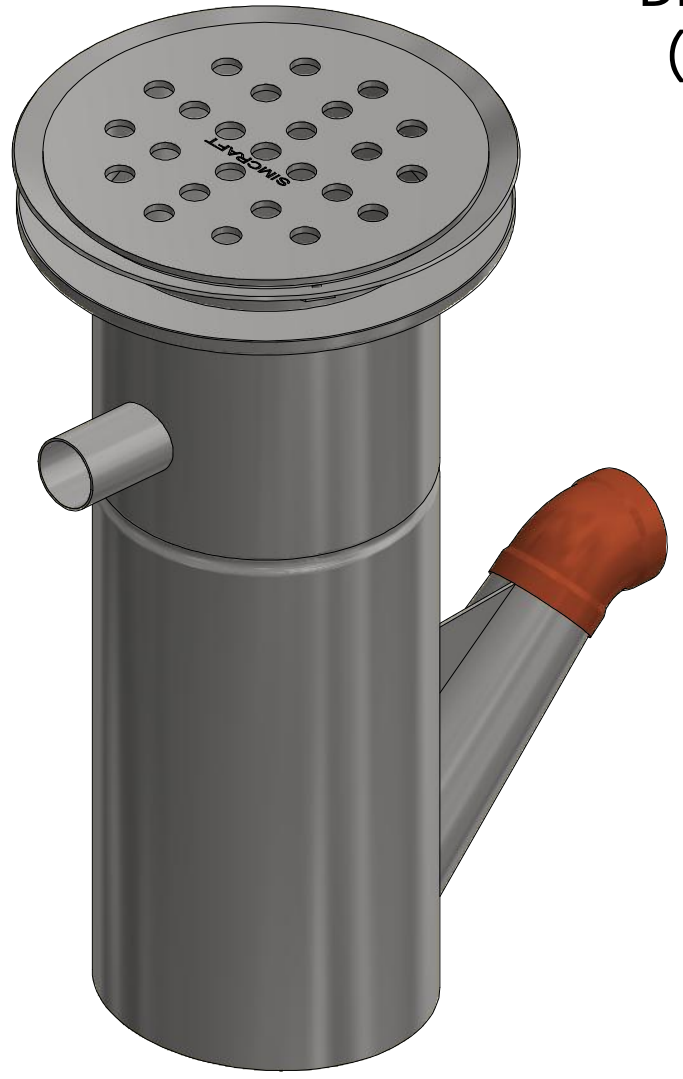


**SECTION A-A  
(1:5)**

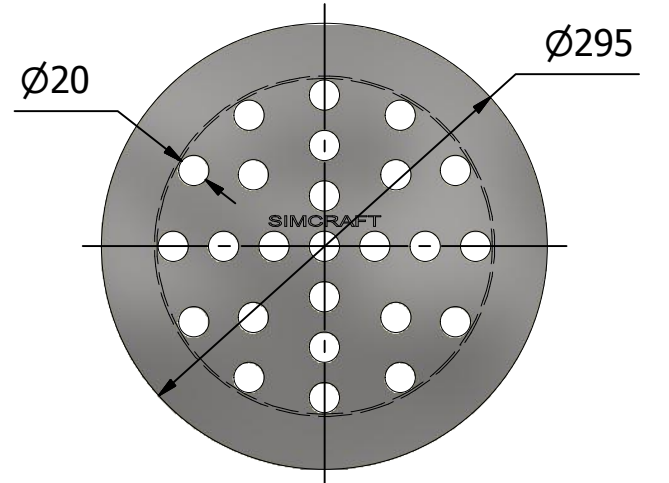
© SIMCRAFT PRODUCTS  
 THIS DRAWING IS THE PROPERTY OF SIMCRAFT PRODUCTS  
 AND MUST NOT BE COPIED IN WHOLE OR IN PART FOR ANY  
 REASON WHATSOEVER WITHOUT PERMISSION IN WRITING.




**DETAIL B  
(1:1)**



**ISOMETRIC VIEW  
(1:5)**



**5mm SS GRATE  
(1:5)**

A	ISSUED FOR APPROVAL			14-03-2019	
REV	DESCRIPTION			DATE	APPROVED
Designed by	Date	Checked by	Date	Project	Scale
MS	14-03-2019			CATALOGUE ITEMS ITEM CODE: 230003	1:5 UNO
				Title	
				SIM-VBTG80 BUCKET TRAP	
Drawing No.		Revision	Sheet	A3	
SIM-VBTG80		A	1 / 1		