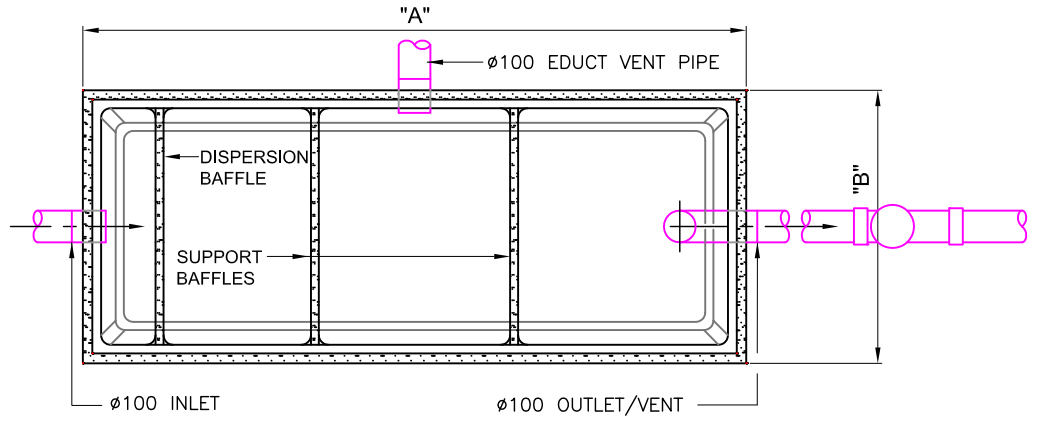


SIDE SECTION
SCALE 1:25

4:1 SAND CEMENT BED 50mm HIGH REQUIRED
 4:1 SAND CEMENT BACKFILL MIN 300mm HIGH FOR STANDARD INSTALLATION.
 -FOR DEEPER INSTALLATIONS REFER TO INSTRUCTIONS
 -FOR WATER CHARGED GROUND REFER TO YOUR PROJECT STRUCTURAL ENGINEER.

END SECTION
SCALE 1:25



OPEN TANK PLAN VIEW
SCALE 1:25

PRODUCT NOTE:

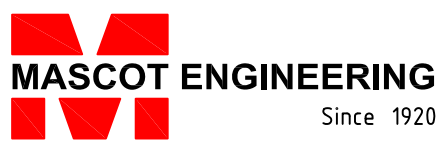
1. TESTED AND APPROVED FOR INSTALLATIONS UP TO 5000mm DEEP.
2. 300mm RISERS AVAILABLE.
3. LARGE RANGE OF CONCRETE SURROUNDS AND COVERS TO SUIT ALL LOAD RATINGS.
4. MPA RATING FOR GRC - 60 mpa @ 28 DAYS.
5. AVAILABLE EXTRAS:
 -STEP IRONS
 -SUPPORT FRAME & WORK PLATFORMS FOR ABOVE GROUND INSTALLATIONS.
6. OTHER PVC PIPE SIZES AVAILABLE UPON REQUEST
7. INSTALLATION INSTRUCTIONS MUST BE FOLLOWED.
8. COVER WILL ADD TO OVERALL DEPTH.

PRODUCT CODE	CAPACITY (L)	A	B	C	D	E	F	G	MASS (KG)
WASS1000S	1000	1200	1200	1500	920	510	560	230	475
WASS1000	1000	2050	860	1370	700	600	650	300	500
WASS1200S	1250	1200	1200	1800	1050	680	730	350	510
WASS1200	1250	2050	860	1370	800	500	550	225	500
WASS1500S	1500	1200	1200	1800	1350	430	480	150	570
WASS1500	1500	2050	860	1670	1100	500	550	210	610
WASS2000	2000	2050	860	1670	1350	250	300	150	610

SPECIFICATION

Glass Reinforced Concrete Silt Arrester must be free of steel reinforcement to prevent corrosion.
 Silt Arrester to be Mascot Engineering GRC litre, model number WASA complete with Gastight Access Covers to suit Class load rating to AS3996.
 Products to be installed as per the manufacturers installation instructions

© Copyright



PRODUCT DESCRIPTION:
WA SETTABLE SOLIDS ARRESTOR

ph: 1300 885 295
 fax: 1300 885 296
 email: sales@mascoteng.com.au
 www.mascotengineering.com.au

SCALE: **NTS**
 REVISION: **D 1116**
 DRAWING No: **TW.WA.SA.001**