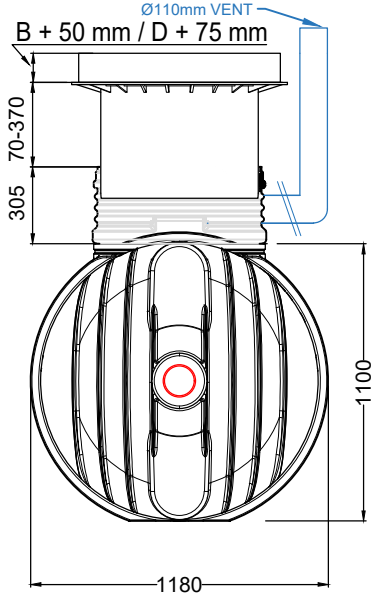
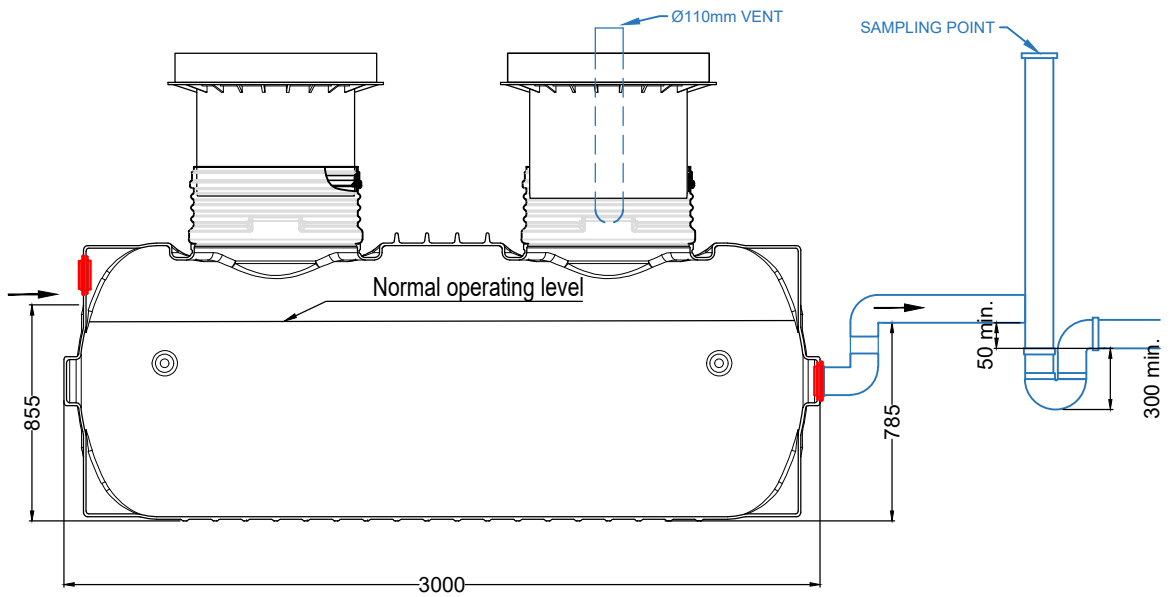
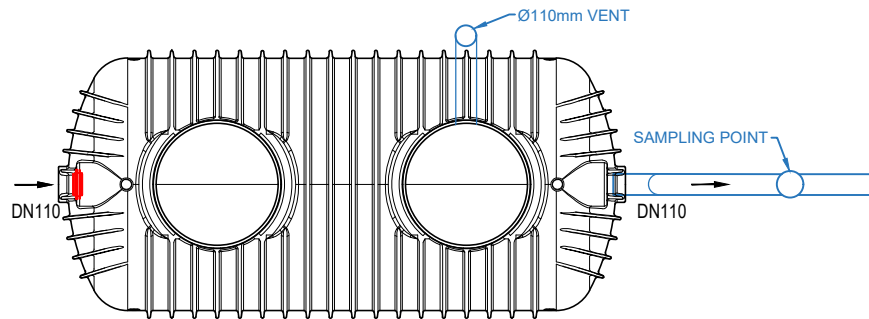


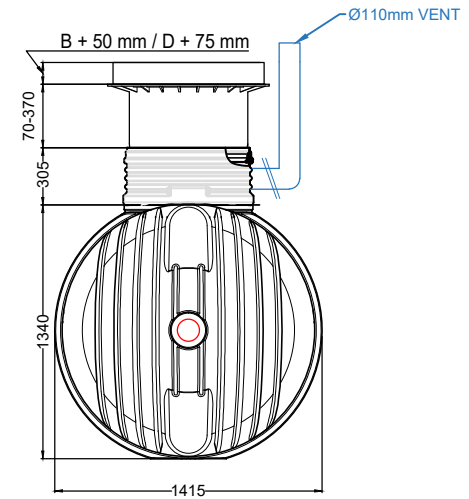
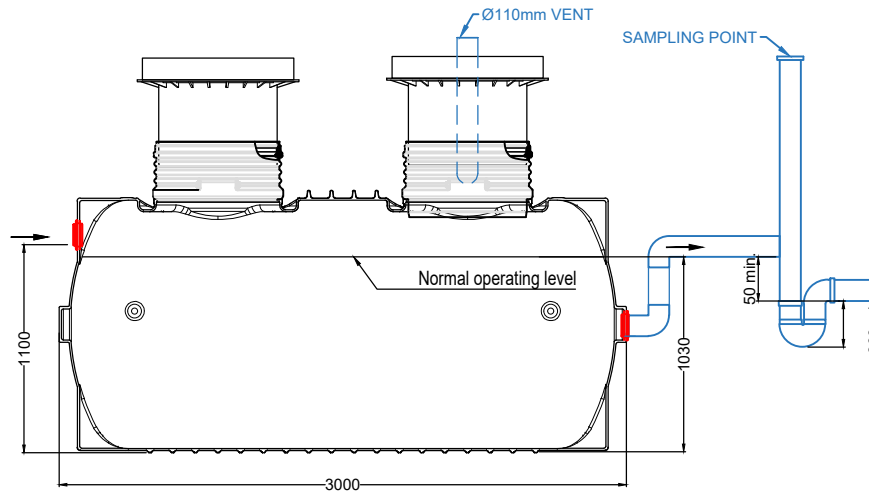
NOTE:  
 • RED ITEMS ARE PROVIDED  
 • BLUE ITEMS ARE EXCLUDED




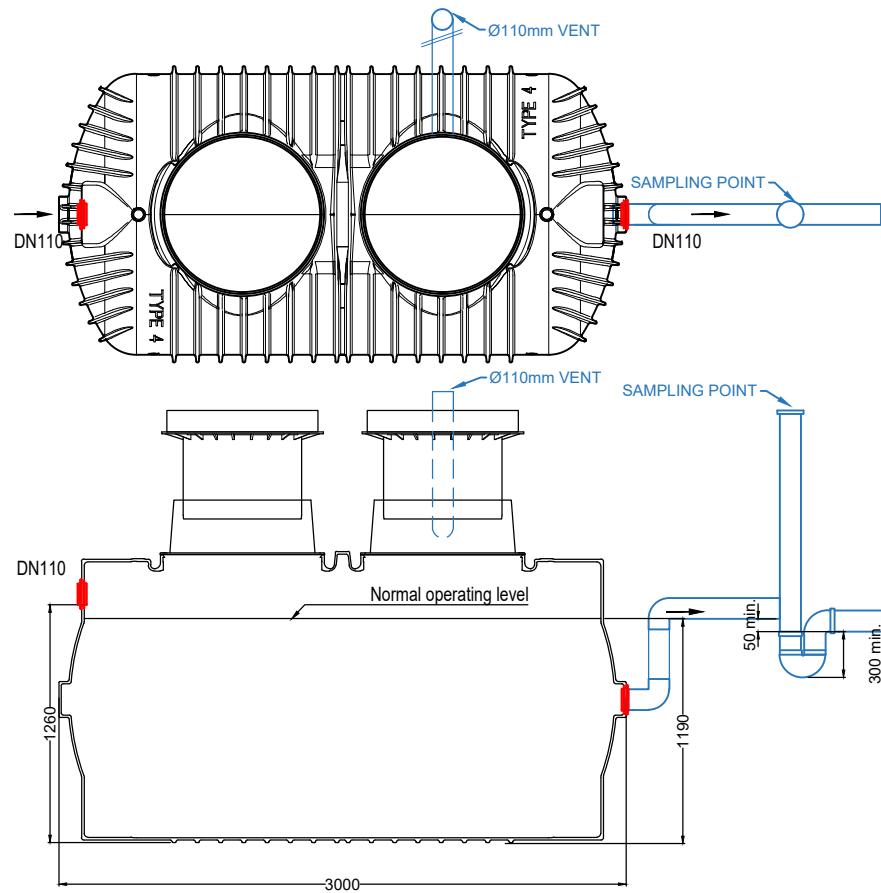
article			GRAF Australia Averaging Dilution Pit SC 2000		article no.		31.0204	
drawn	ISC	weight	190 kg	comments		GRAF Australia Pty Ltd		
				sampling point requirements to be confirmed by relevant authority of jurisdiction		43b Sparks Road, Henderson WA 6166		
date	2024.05.08	tolerance	+/- 3%	scale	1:30	units	mm	info@grafaustalia.com.au
								www.grafaustalia.com.au



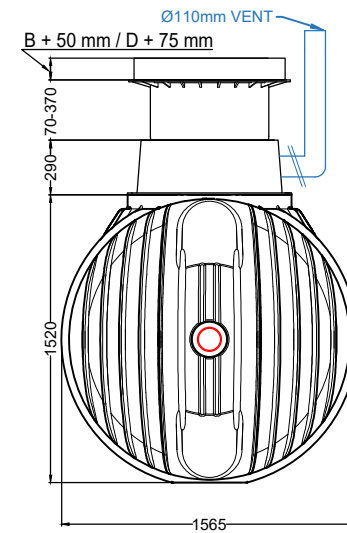
NOTE:  
 • RED ITEMS ARE PROVIDED  
 • BLUE ITEMS ARE EXCLUDED




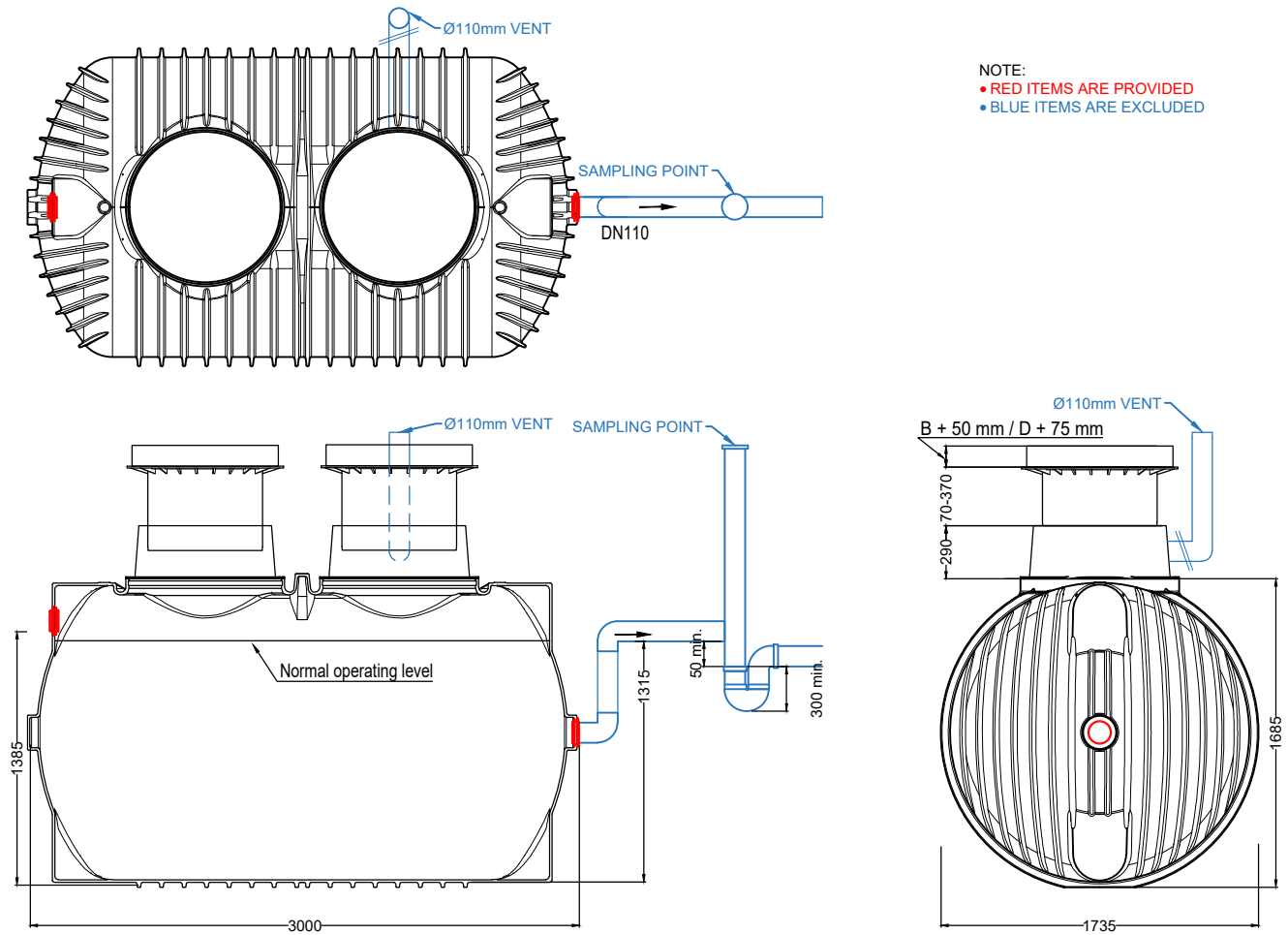
article			GRAF Australia Averaging Dilution Pit SC 3000		article no.	31.0205	
drawn	ISC	weight	235 kg	comments sampling point requirements to be confirmed by relevant authority of jurisdiction			
date	2024.05.08	tolerance	+/- 3%	scale	1:40	units	mm
GRAF Australia Pty Ltd 43b Sparks Road, Henderson WA 6166 info@grafaustalia.com.au www.grafaustalia.com.au							



NOTE:  
 • RED ITEMS ARE PROVIDED  
 • BLUE ITEMS ARE EXCLUDED

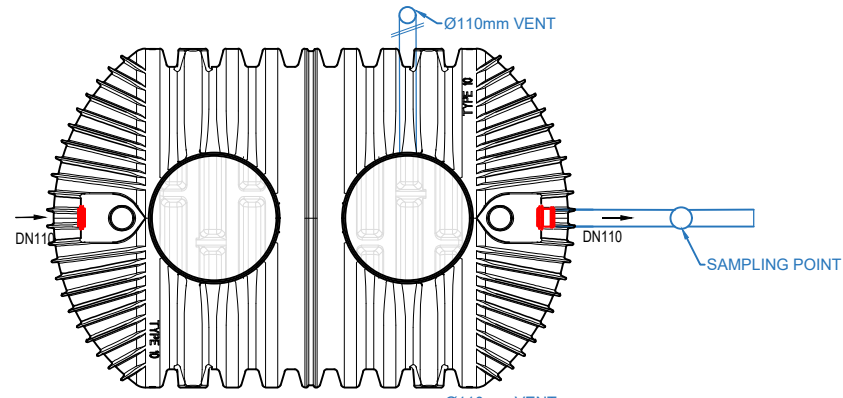


article			GRAF Australia Averaging Dilution Pit SC 4000		article no.	31.0206	
drawn	ISC	weight	285 kg	comments	GRAF Australia Pty Ltd 43b Sparks Road, Henderson WA 6166 info@grafaustalia.com.au www.grafaustalia.com.au		
date	2024.05.08	tolerance	+/- 3%	scale	1:40	units	mm
				sampling point requirements to be confirmed by relevant authority of jurisdiction			

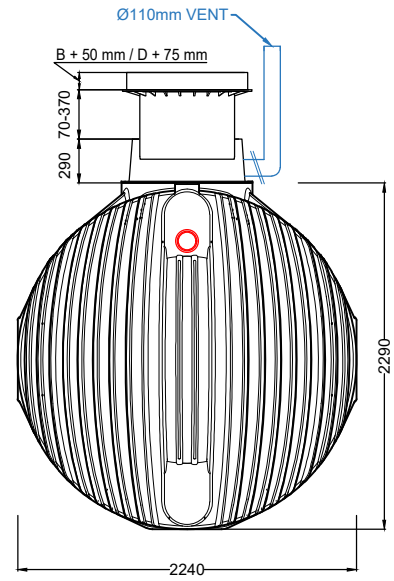
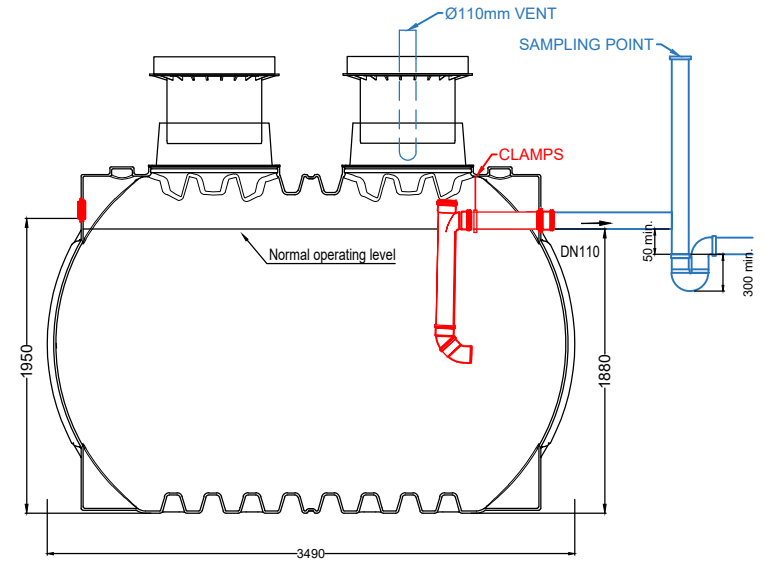


article			GRAF Australia Averaging Dilution Pit SC 5000		article no.		31.0207		
drawn	ISC	weight	355 kg	comments		GRAF Australia Pty Ltd 43b Sparks Road, Henderson WA 6166 info@grafaustalia.com.au www.grafaustalia.com.au			
date	2024.05.08	tolerance	+/- 3%	sampling point requirements to be confirmed by relevant authority of jurisdiction					scale





NOTE:  
 • RED ITEMS ARE PROVIDED  
 • BLUE ITEMS ARE EXCLUDED



article			GRAF Australia Averaging Dilution Pit SC 10000		article no.		31.0209		
drawn	ISC	weight	495 kg	comments		GRAF Australia Pty Ltd 43b Sparks Road, Henderson WA 6166 info@grafaustalia.com.au www.grafaustalia.com.au			
date	2024.05.08	tolerance	+/- 3%	sampling point requirements to be confirmed by relevant authority of jurisdiction					scale

