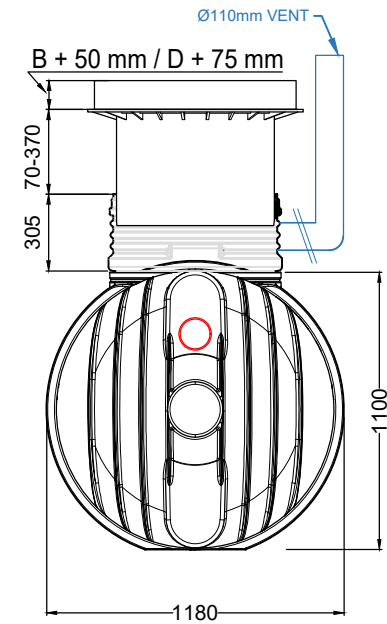
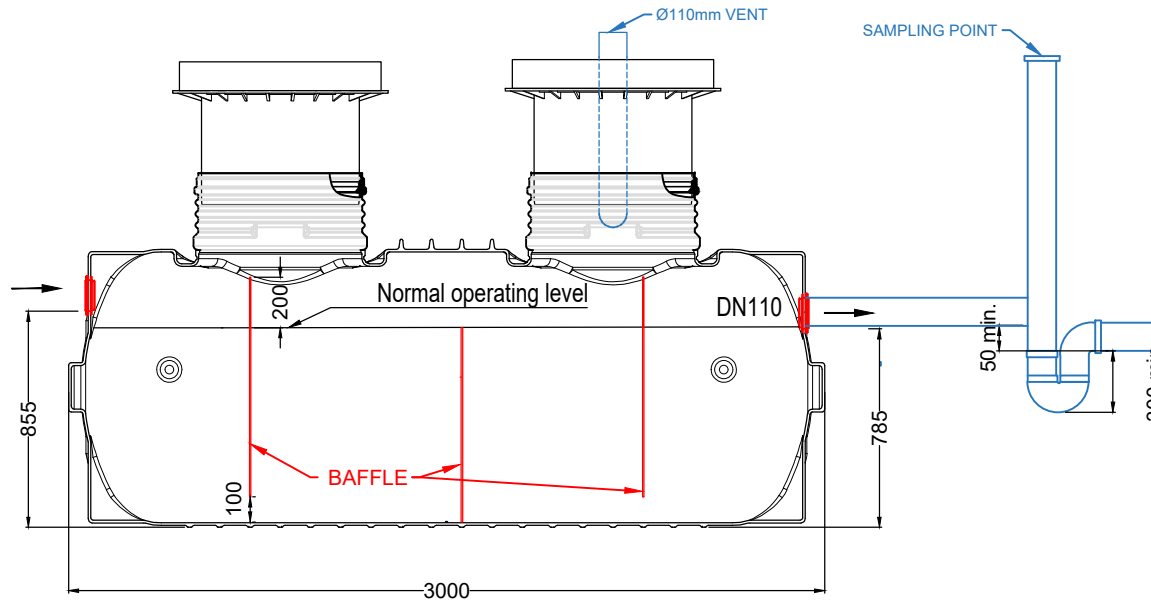

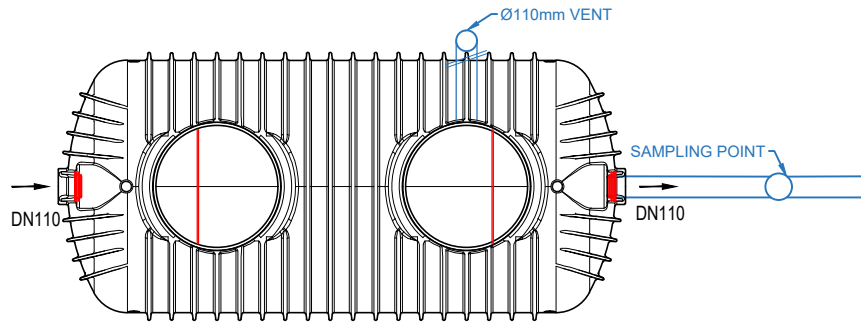


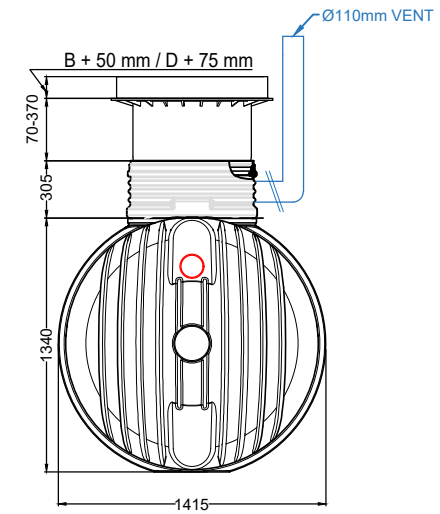
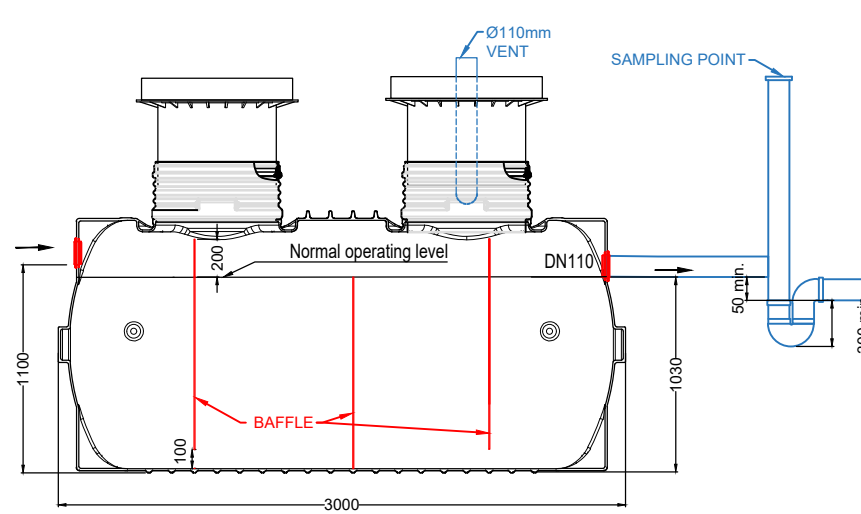
NOTE:
 EXTRUSION WELDED PE BAFFLE
 • RED ITEMS ARE PROVIDED
 • BLUE ITEMS ARE EXCLUDED



article			GRAF Australia Neutralising Tank SC 2000		article no.		31.0104	
drawn	ISC	weight	190 kg	comments		GRAF Australia Pty Ltd 43b Sparks Road, Henderson WA 6166 info@grafaustalia.com.au www.grafaustalia.com.au		
date	2025.05.08	tolerance	+/- 3%	sampling point requirements to be confirmed by relevant authority of jurisdiction				
		scale	1:30	units	mm			

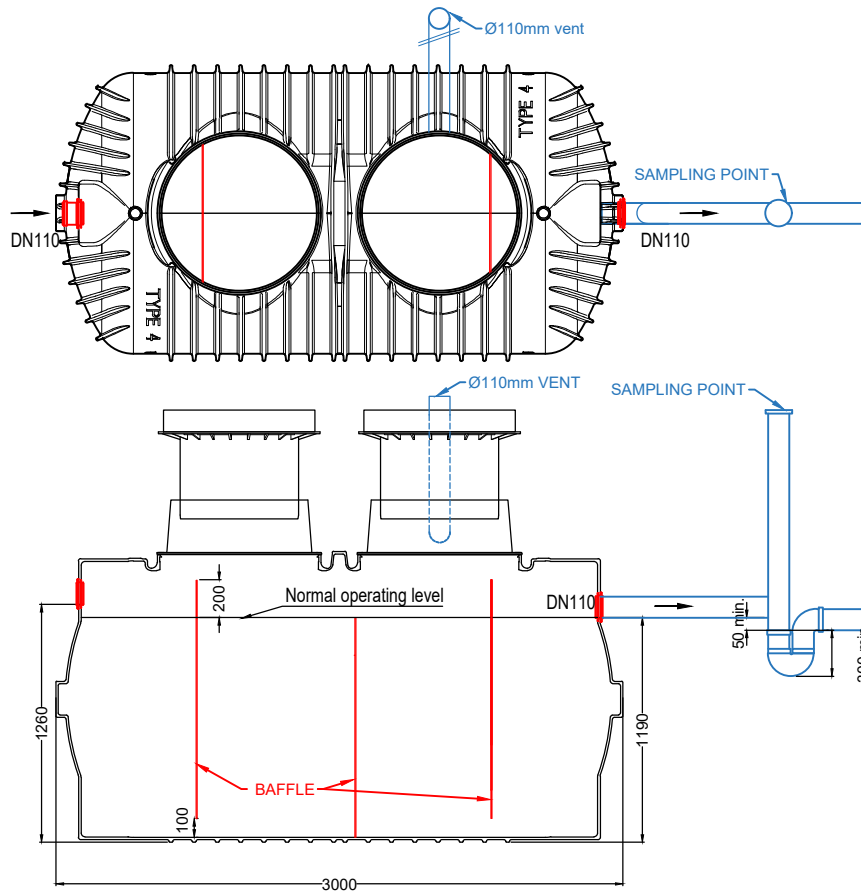


NOTE:
 EXTRUSION WELDED PE BAFFLE
 • RED ITEMS ARE PROVIDED
 • BLUE ITEMS ARE EXCLUDED

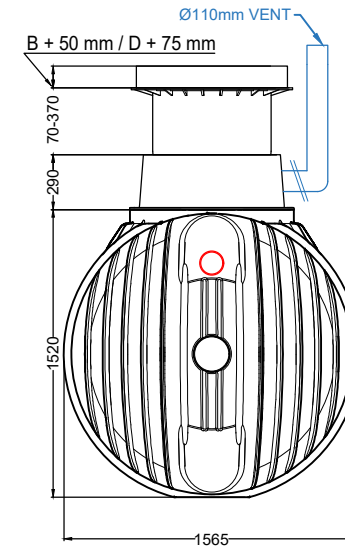


article			GRAF Australia Neutralising Tank Pit SC 3000		article no.	31.0105	
drawn	ISC	weight	235 kg	comments	sampling point requirements to be confirmed by relevant authority of jurisdiction		
date	2024.05.08	tolerance	+/- 3%	scale	1:40	units	mm
					GRAF Australia Pty Ltd 43b Sparks Road, Henderson WA 6166 info@grafaustalia.com.au www.grafaustalia.com.au		



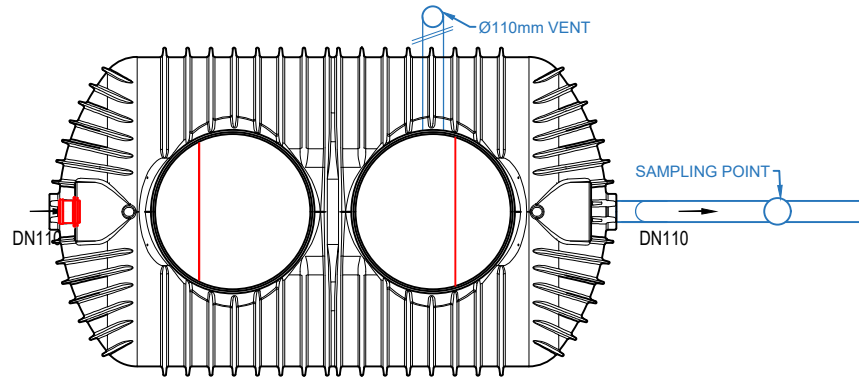


NOTE:
 EXTRUSION WELDED PE BAFFLE
 • RED ITEMS ARE PROVIDED
 • BLUE ITEMS ARE EXCLUDED

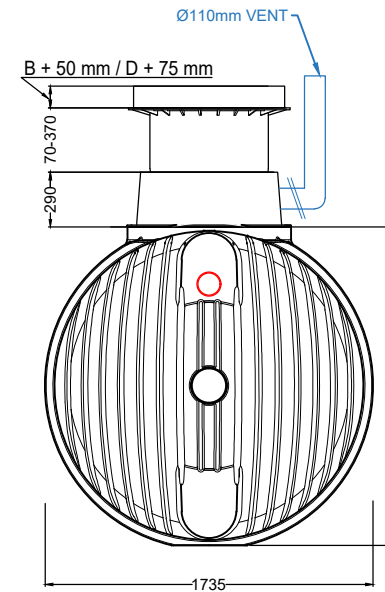
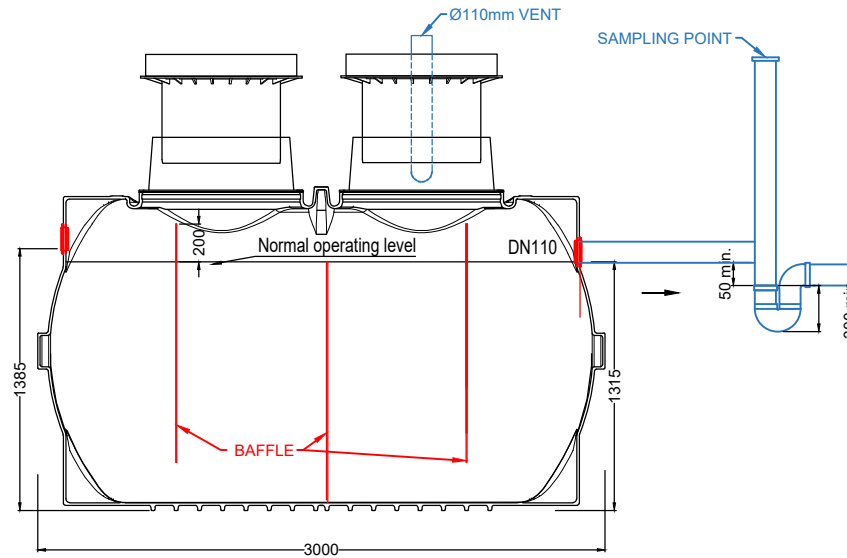


article			GRAF Australia Neutralising Tank SC 4000		article no.		31.0106		
drawn	ISC	weight	285 kg	comments	sampling point requirements to be confirmed by relevant authority of jurisdiction				
date	2024.05.08	tolerance	+/- 3%	scale	1:40	units	mm		
						GRAF Australia Pty Ltd 43b Sparks Road, Henderson WA 6166 info@grafaustalia.com.au www.grafaustalia.com.au			



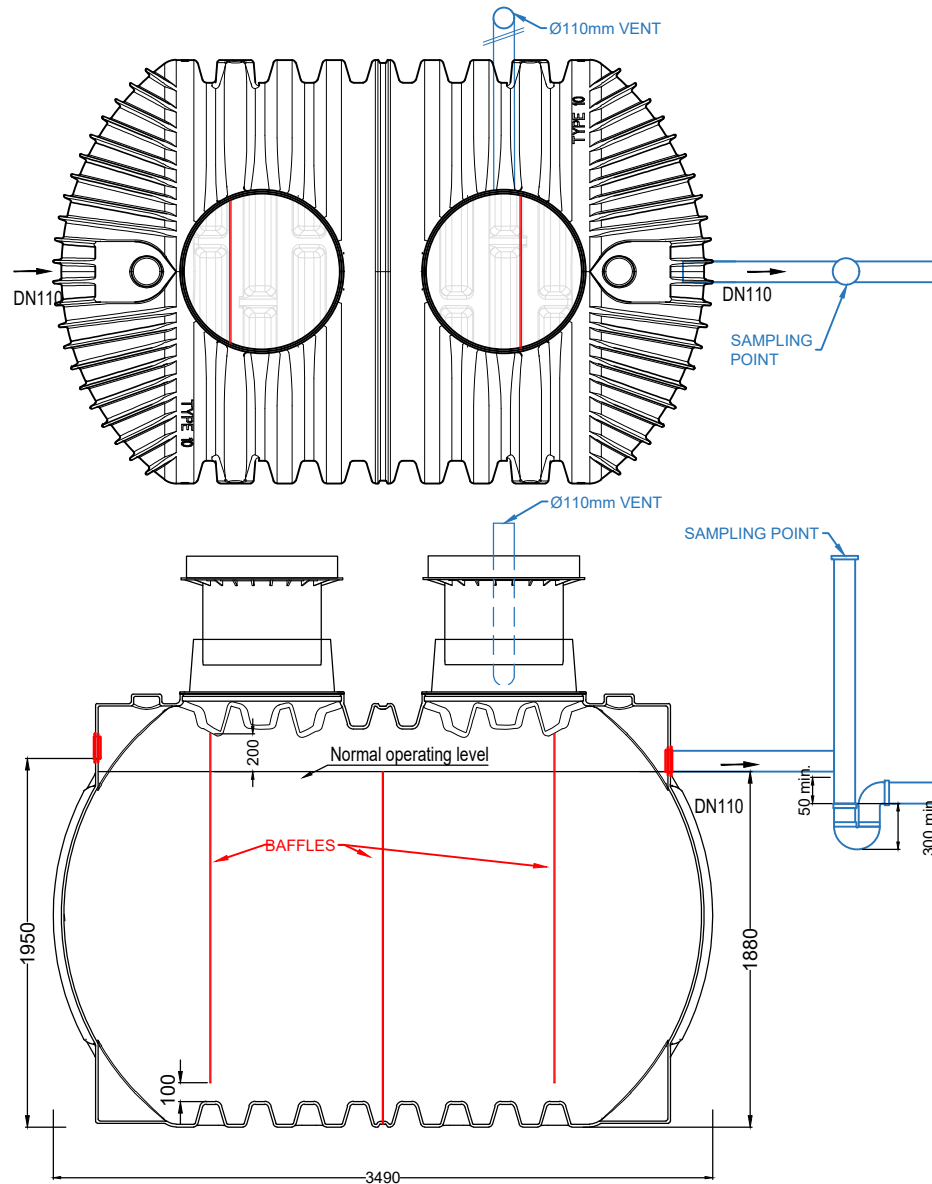


NOTE:
 EXTRUSION WELDED PE BAFFLE
 • RED ITEMS ARE PROVIDED
 • BLUE ITEMS ARE EXCLUDED

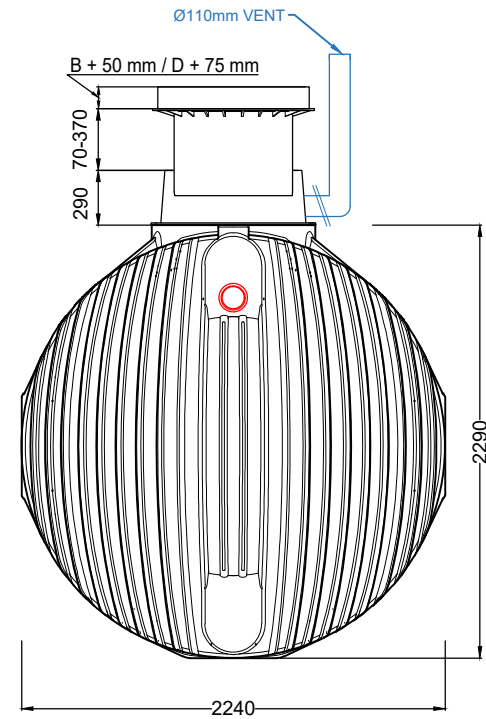


article				GRAF Australia Neutralising Tank SC 5000		article no.		31.0107	
drawn		weight		comments				GRAF Australia Pty Ltd 43b Sparks Road, Henderson WA 6166 info@grafaustalia.com.au www.grafaustalia.com.au	
ISC		355 kg		sampling point requirements to be confirmed by relevant authority of jurisdiction					
date		tolerance		scale		units			
2024.05.08		+/- 3%		1:40		mm			





NOTE:
 EXTRUSION WELDED PE BAFFLE
 • RED ITEMS ARE PROVIDED
 • BLUE ITEMS ARE EXCLUDED



article			GRAF Australia Neutralising Tank SC 10000		article no.		31.0109		
drawn	ISC	weight	495 kg	comments	sampling point requirements to be confirmed by relevant authority of jurisdiction				
date	2024.05.08	tolerance	+/- 3%	scale	1:40	units	mm		
						GRAF Australia Pty Ltd 43b Sparks Road, Henderson WA 6166 info@grafaustalia.com.au www.grafaustalia.com.au		