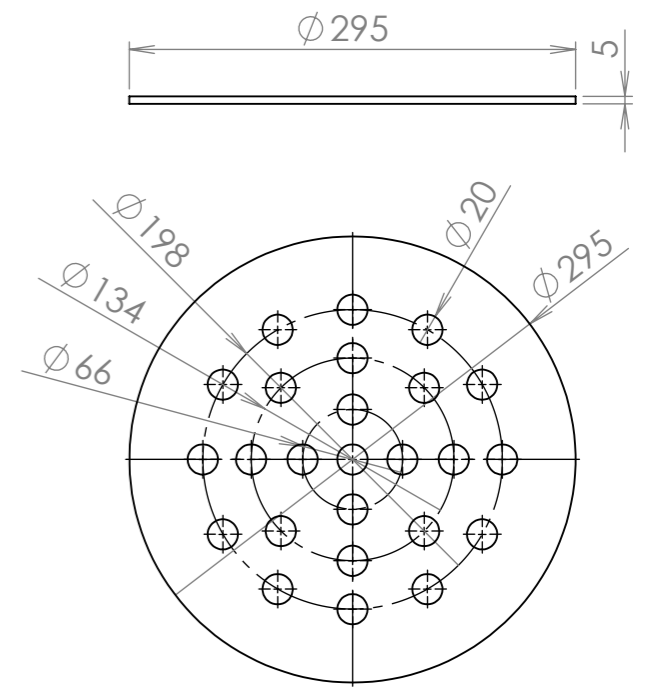
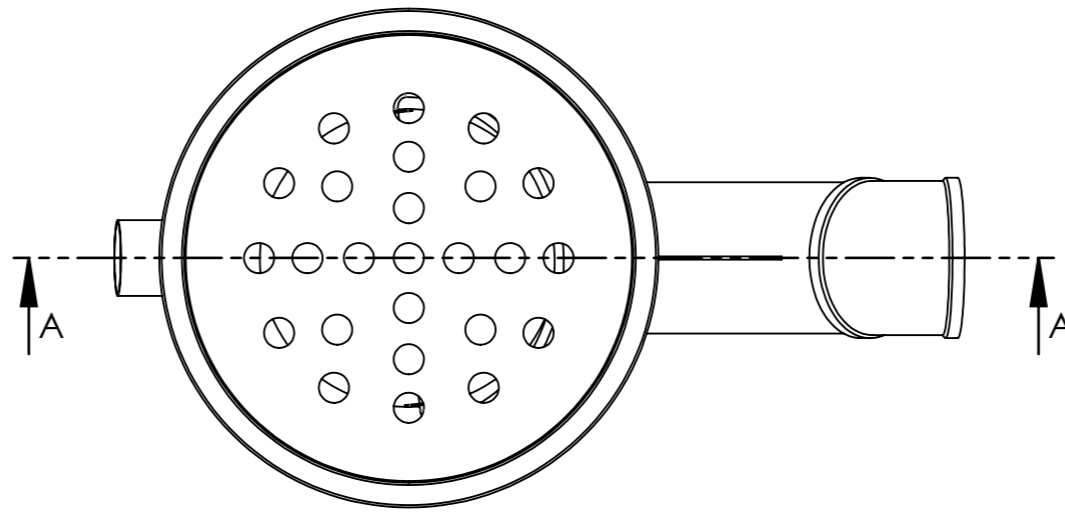
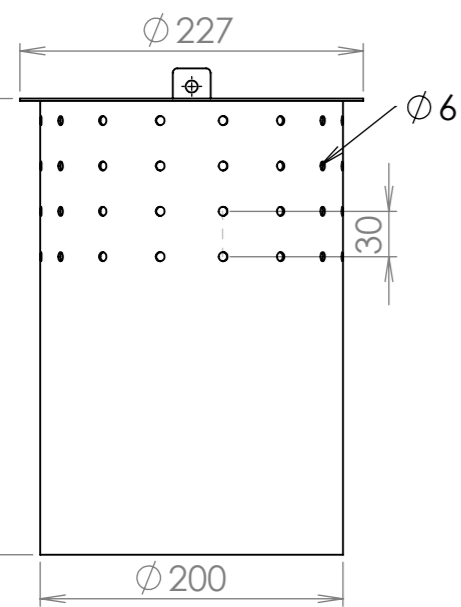
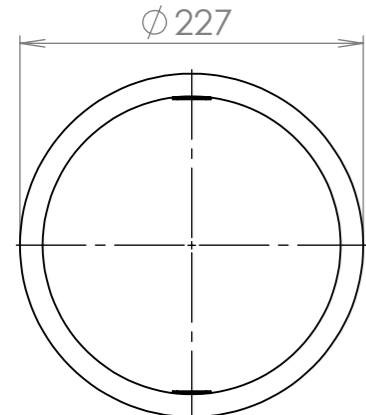
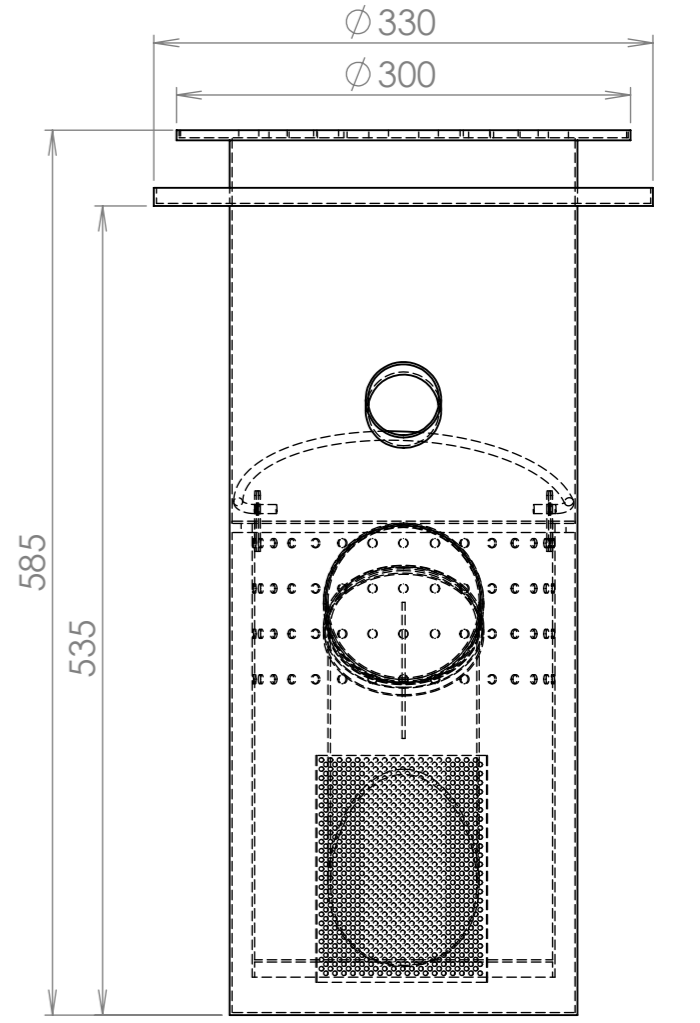


SECTION A-A



TITLE:	50-11-0004	DATE	21/08/17	<p><b>Britex Metal Products Co. Pty Ltd.</b>          ACN: 004 309 737          2 Mirra Ct, Bundoora Victoria 3083          P: 03 9466 9000 F: 03 9466 9044          britex.com.au info@britex.com.au</p>	<p><b>A3</b></p> <p>REVISION</p> <p><b>A</b></p>
Drawing:	SD-4461.1	DRAWN	db		
		CHK'D			
		APPV'D			
UNLESS OTHERWISE SPECIFIED: DIMENSIONS ARE IN MILLIMETERS		DO NOT SCALE DRAWING		SHEET 1 OF 1	SCALE:1:5