

6

5

4

3

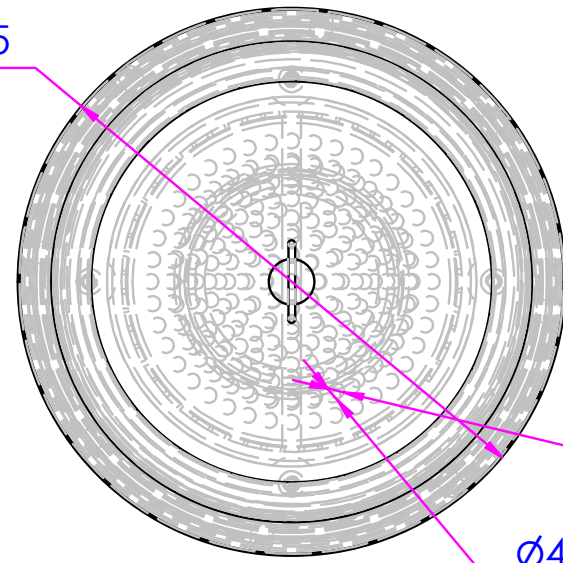
2

1

D

D

Ø145



Ø4 - Fixed Strainer

Ø4 - Removable Strainer

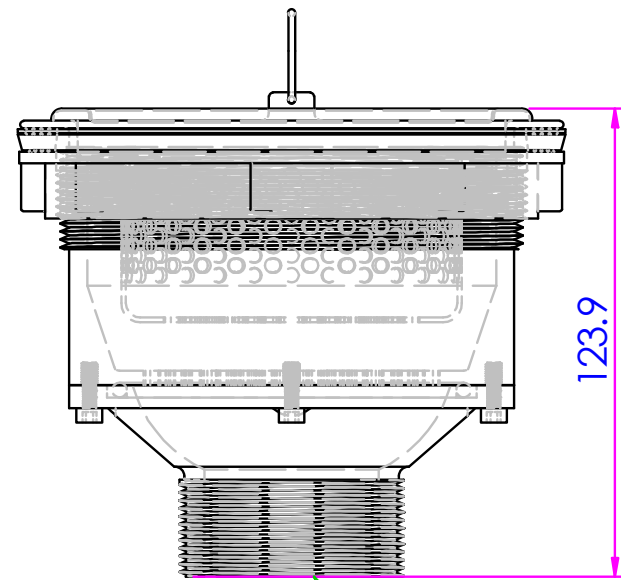


C

C

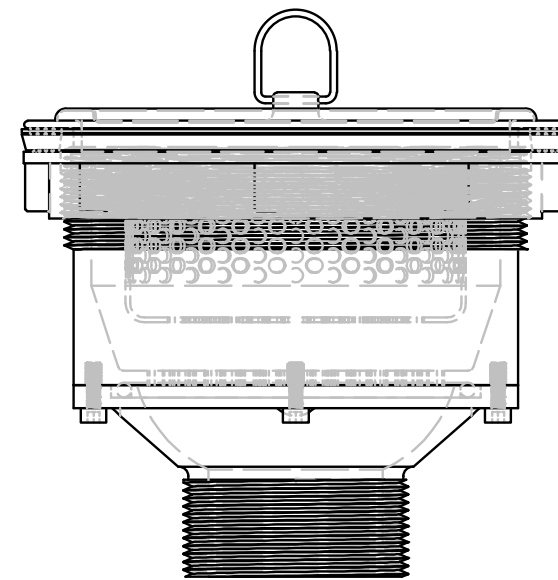
B

B



123.9

2" MI BSP



A

A

UNIT 6/24 WELLINGTON STREET
RIVERSTONE NSW 2765
P - 02 9627 6111 F - 02 9627 3111

GEN TOL X +/- 5mm .XX +/- .25mm .XXX +/- .125mm	DRAWN Alicia 1/03/2014	TITLE
	CHECKED	
<small>3MONKEEZ OWNS THE COPYRIGHTS TO THIS DRAWING WHICH IS ITS EXCLUSIVE PROPERTY AND WHICH IS SUPPLIED IN CONFIDENCE AND WHICH MUST NOT BE USED FOR ANY PURPOSE OTHER THAN THAT EXPRESSLY PERMITTED AND MUST NOT BE DISCLOSED OR PRODUCED WITHOUT PERMISSION FROM 3MONKEEZ. THIS DRAWING MUST BE RETURNED OR DESTROYED WHEN THE PURPOSE FOR WHICH IT IS SUPPLIED HAS CEASED.</small>	APPROVED BY	DWG NO
	 THIRD ANGLE PROJECTION	 ALL DIMENSIONS ARE IN MILLIMETRES UNLESS OTHERWISE STATED
SCALE: N.T.S		DRAWING - PART STATUS Final
D:\3monkeez\CAD Drawings for USB\Catalogue Section 7 - Trade Waste\SCRAP-S and SCRAP-S-316\SCRAP-S and SCRAP-S-316.dwg		REV R001
SHEET 1 OF 1		

6

5

4

3

2

1

↑