



Product Code:
FW-150BS

FW-150S-BASKET (Basket Only)

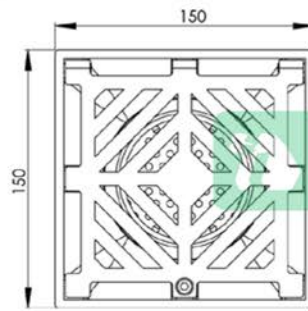
This modern lined design floor waste is available in 304 grade stainless steel. It suits 100mm DWV and has a 150mm hinged square grate with a fixed secondary strainer and removable basket.

Features and Benefits:

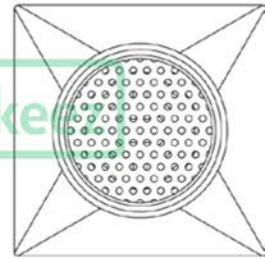
- Hinged grate
- Fixed secondary strainer
- Removable strainer basket
- Suits 100mm DWV, HDPE pipe
- In stock and available for immediate delivery



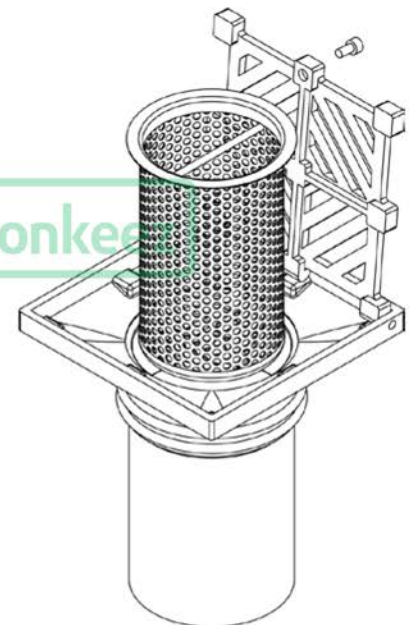
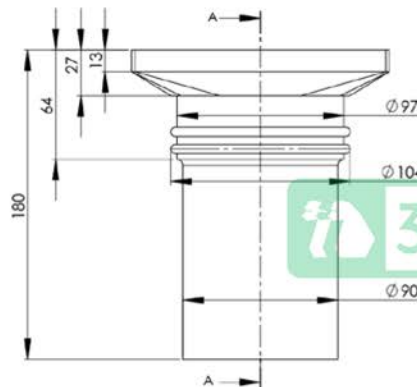
Top



Bottom



Side



Cross Section

