



Product Code:
FW-100BRL

FW-100RL-BASKET (Basket Only)

Another 3monkeeZ® trade waste solution to combat solids entering the drainage system. This product suits 100mm DWV, has a fixed secondary strainer, removable basket, and is available in 304 grade stainless steel.

Features and Benefits:

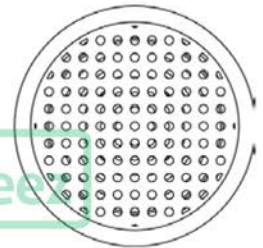
- Fixed secondary strainer
- Removable strainer basket
- Suits 100mm DWV, HDPE pipe
- In stock and available for immediate delivery



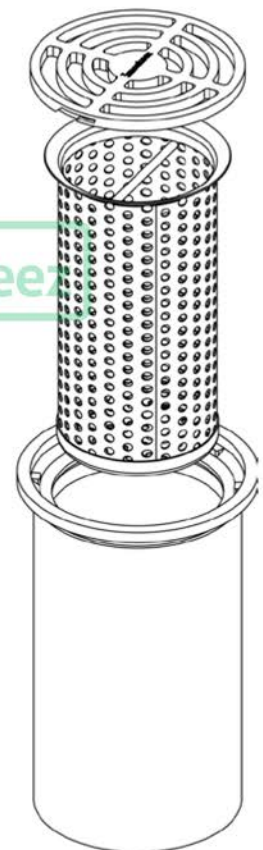
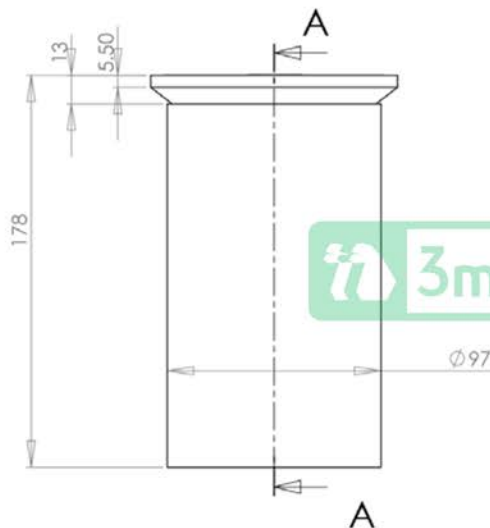
Top



Bottom



Side



Cross Section

