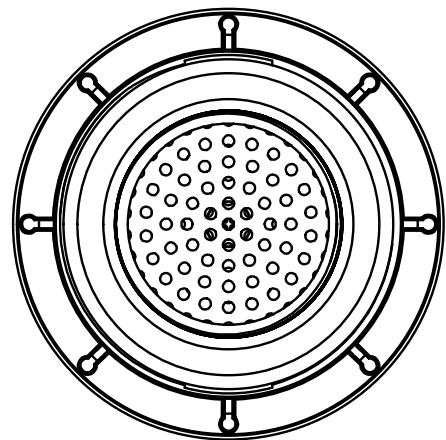
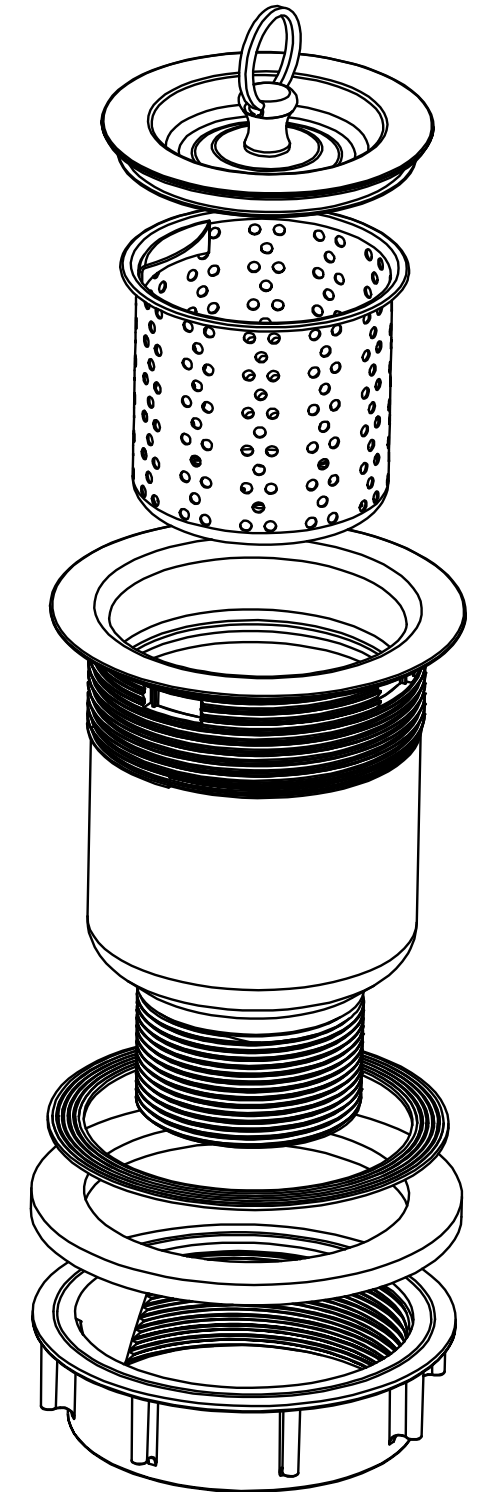
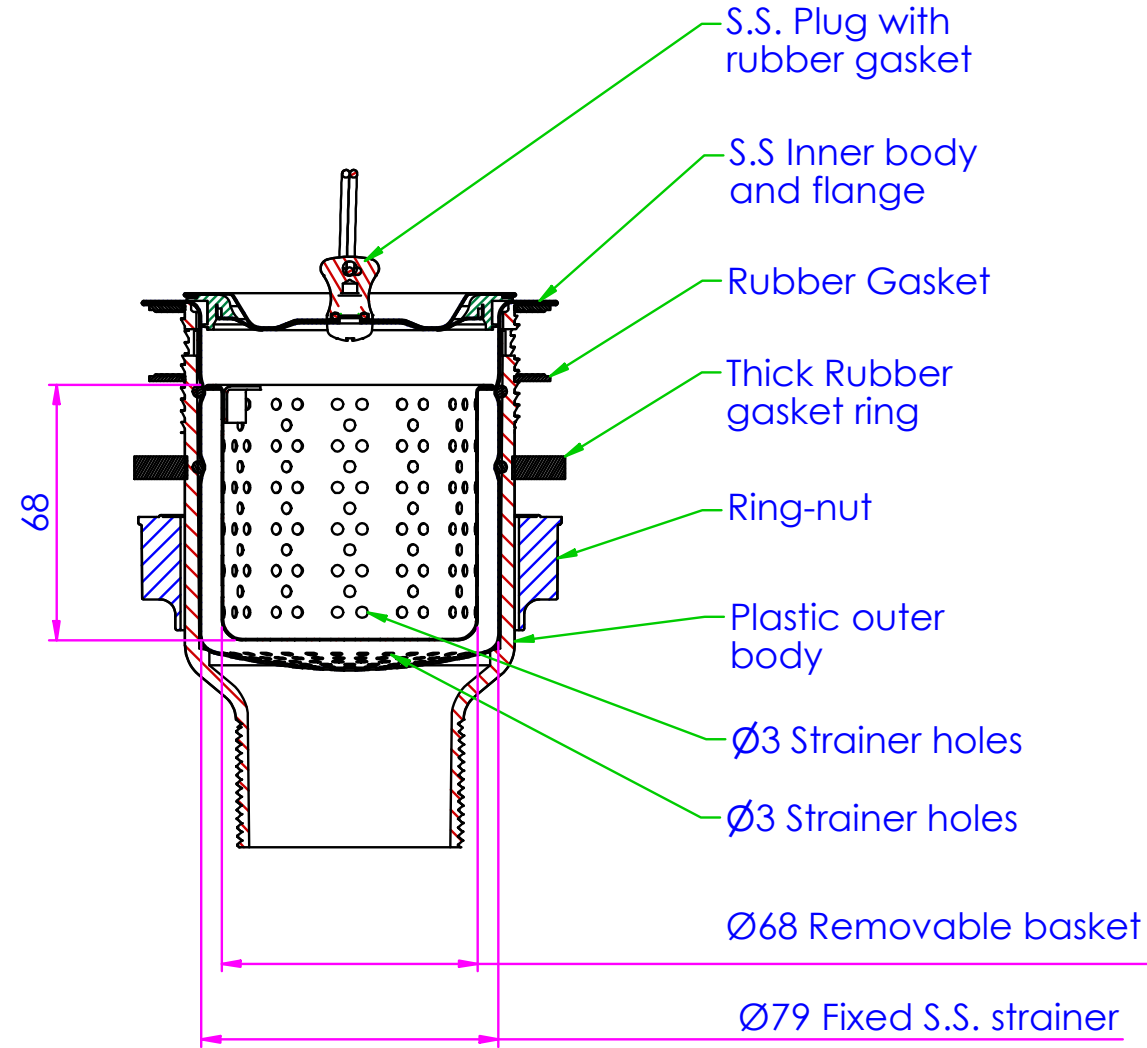
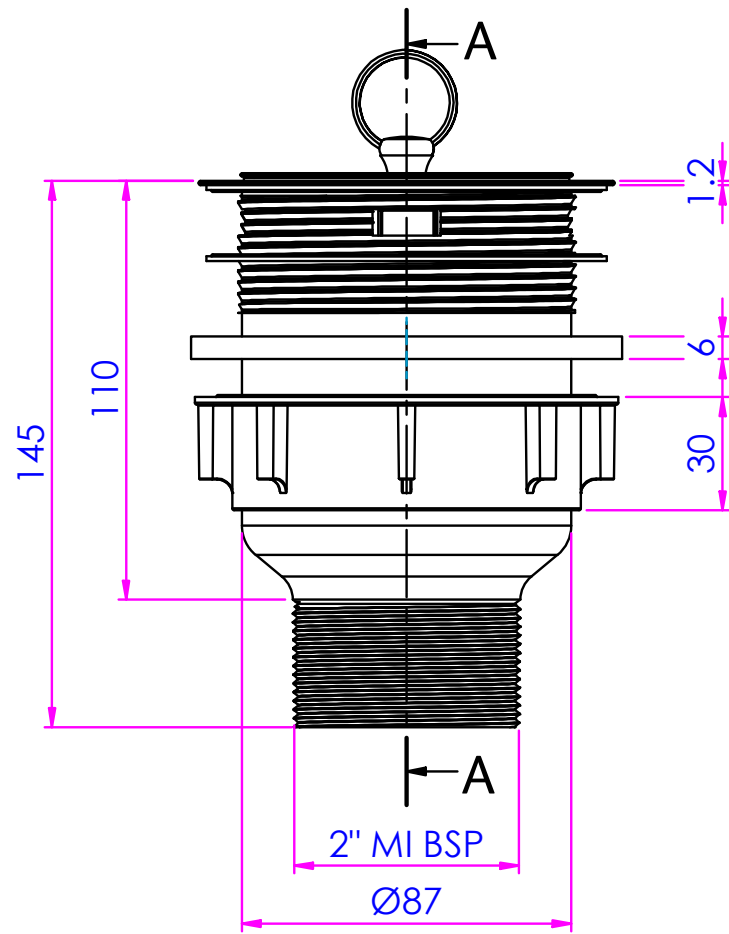
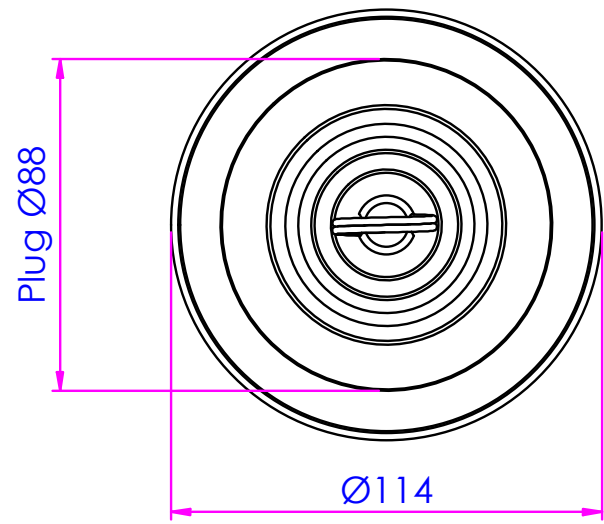


Removable Strainer = 242 x 3mm Diameter Holes
 Fixed Strainer - 121 x 3mm Diameter Holes



Section View on A - A



UNIT 6/24 WELLINGTON STREET
 RIVERSTONE NSW 2765
 P- 02 9627 6111 F- 02 9627 3111

GEN TOL
 .X +/- .5mm
 .XX +/- .25mm
 .XXX +/- .125mm

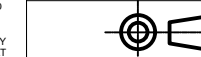
DRAWN
 Bill Frost
 Revised
 BF
 7/09/2021
 09/02/2022

TITLE
 Scraptrap 90mm Dia with 50mm MI BSP
 Connection. 3mm perforation hole size.

APPROVED BY

DWG NO
 SSBW-3

REGISTER No.
 0012



THIRD ANGLE PROJECTION

SCALE:
 N.T.S

DRAWING - PART STATUS
 Preliminary

REV
 1

C:\Users\3MDesign\Documents\Inventor\CAD\Catalogue Section 7 - Trade Waste Solutions\SSBW\SSBW-3 220209.dwg

SHEET 1 OF 1