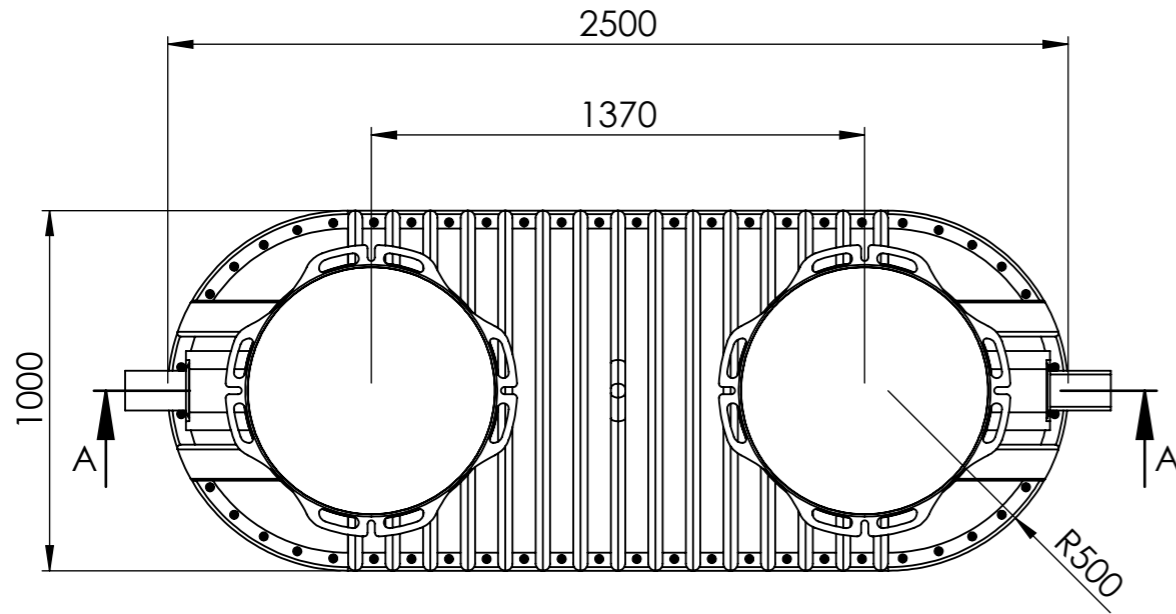
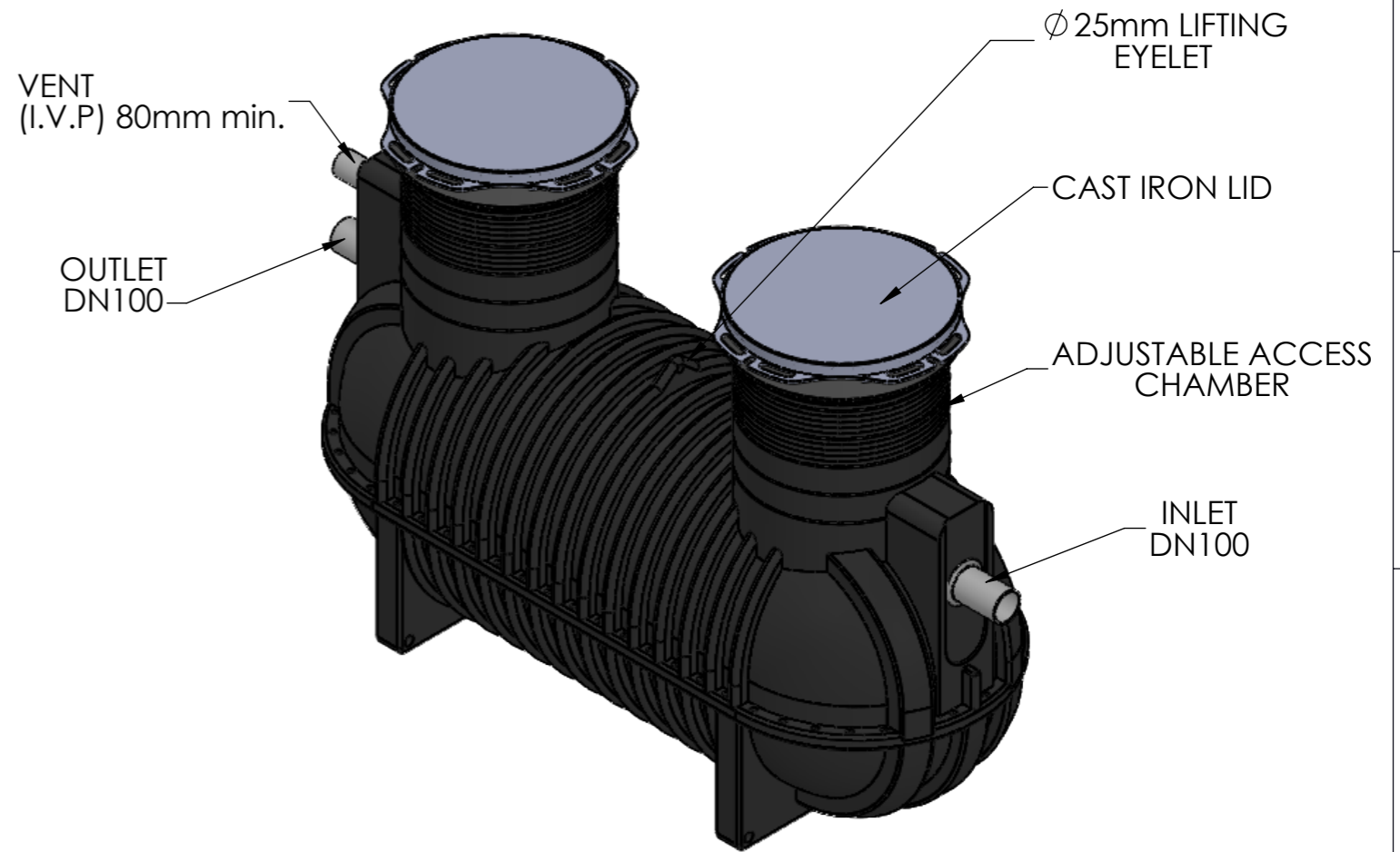


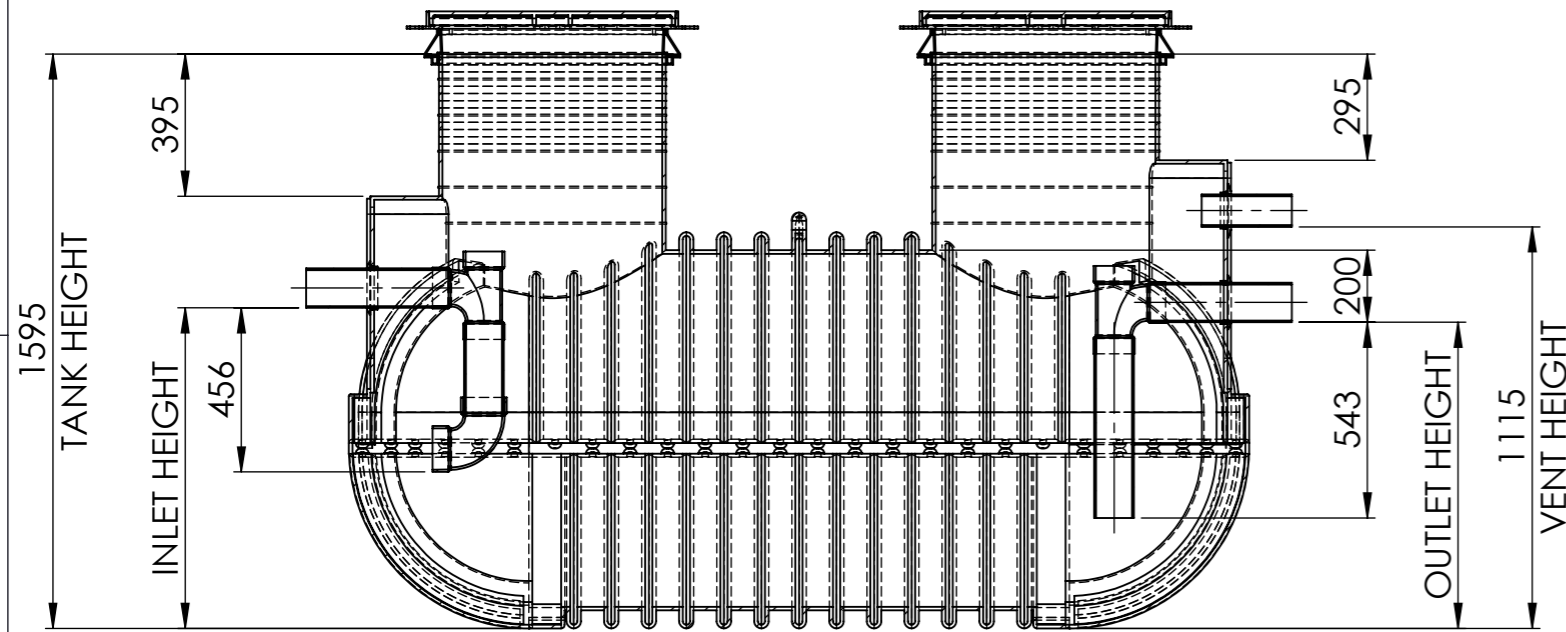
1200Ltr GREASE ARRESTOR LAYOUT - BELOW GROUND



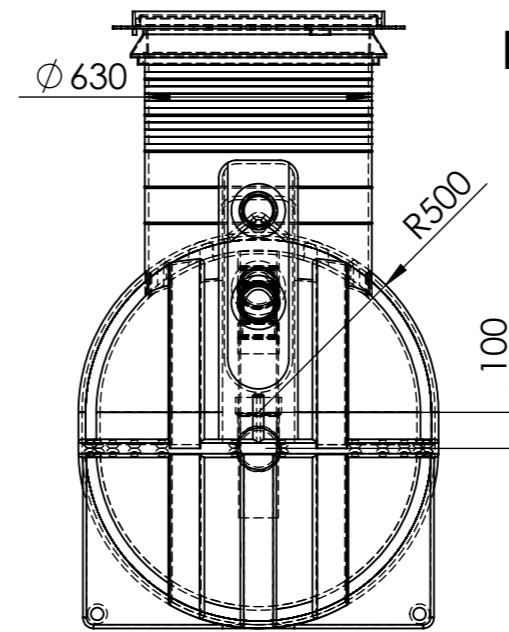
TOP VIEW



PERSPECTIVE VIEW



SECTION A-A



SIDE VIEW



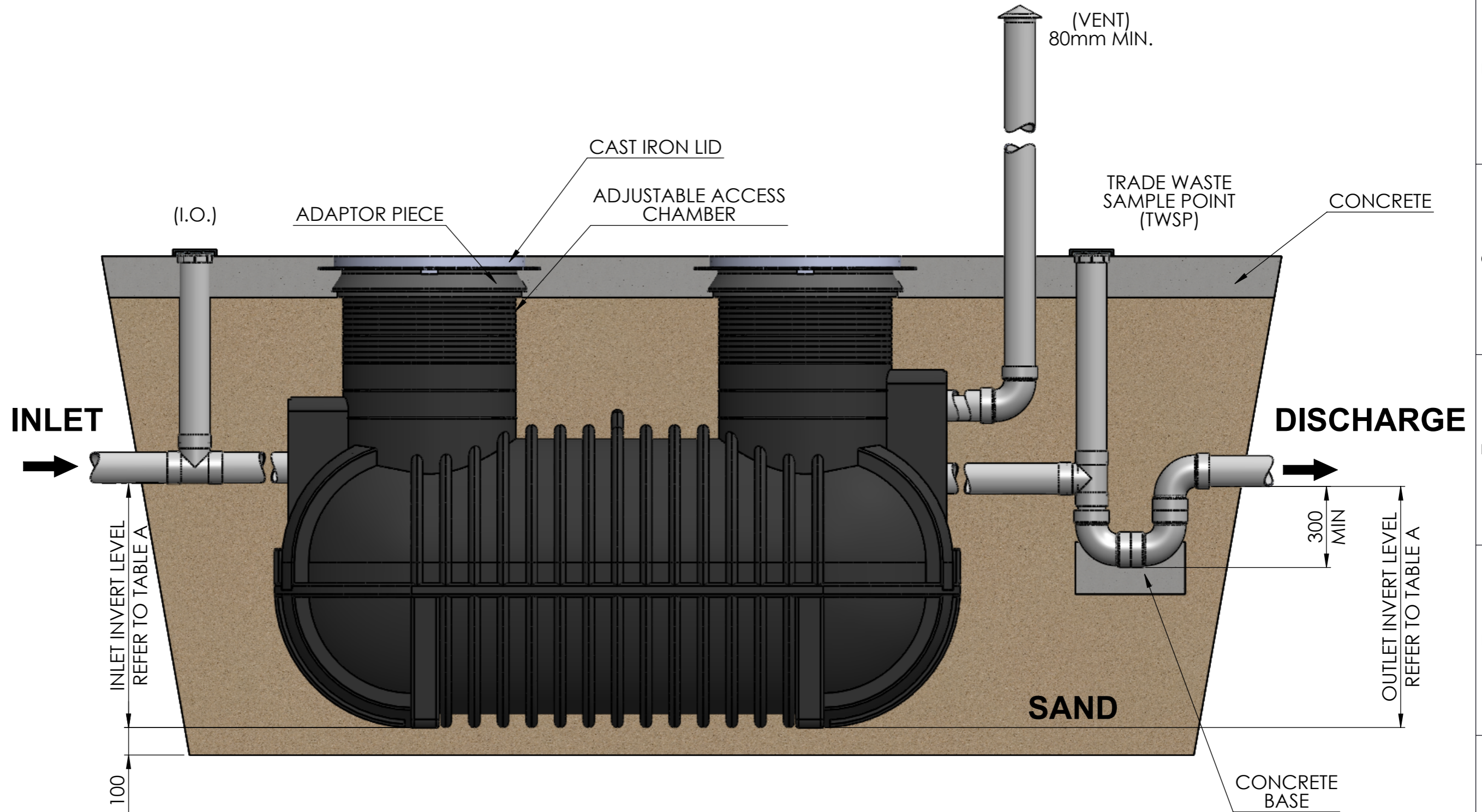
DATE	27JUL2022	MATERIAL	LDPE	REVISIONS 02 LB 20SEP2022 REPLACED DN100 TO I.V.P 80mm 01 MI 27JUL2022 ISSUED FOR CONSTRUCTION	SHEET 1 OF 2
PRODUCT	1200Ltr Grease Arrestor	SURFACE FINISH	-		CHKD
PRODUCT CODE	GA1200	WALL THICKNESS	-		APVD
DRAWING No	C-GA1200-001	SCALE	NTS		SHEET SIZE A3

© THIS DRAWING IS THE COPYRIGHT OF COERCO. IT CANNOT BE COPIED IN PART OR FULL WITHOUT THE WRITTEN PERMISSION OF COERCO

1200Ltr GREASE ARRESTOR LAYOUT - BELOW GROUND

This document must be read in conjunction with Water Corporation Plans HX33-10-00, HX33-11-30 and HX33-10-10. Lids located in trafficable areas must meet the requirements of AS/NZS 3996 and be supported with concrete to ensure no additional forces are applied to the tank.

NB: PIPEWORK IN THIS DRAWING FOR ILLUSTRATION PURPOSES ONLY. PLEASE REFER TO YOUR STATES ISSUED LAYOUT DRAWING FOR CORRECT LAYOUT.



DATE	27JUL2022	MATERIAL	LDPE	REVISIONS					SHEET 1 OF 1
PRODUCT	1200Ltr Grease Arrestor	SURFACE FINISH	-						CHKD
PRODUCT CODE	GA1200	WALL THICKNESS	-						APVD
DRAWING No	C-GA1200-002	SCALE	NTS		01	MI	27JUL2022	ISSUED FOR CONSTRUCTION	SHEET SIZE
								DESCRIPTION	A3
© THIS DRAWING IS THE COPYRIGHT OF COERCO. IT CANNOT BE COPIED IN PART OR FULL WITHOUT THE WRITTEN PERMISSION OF COERCO									