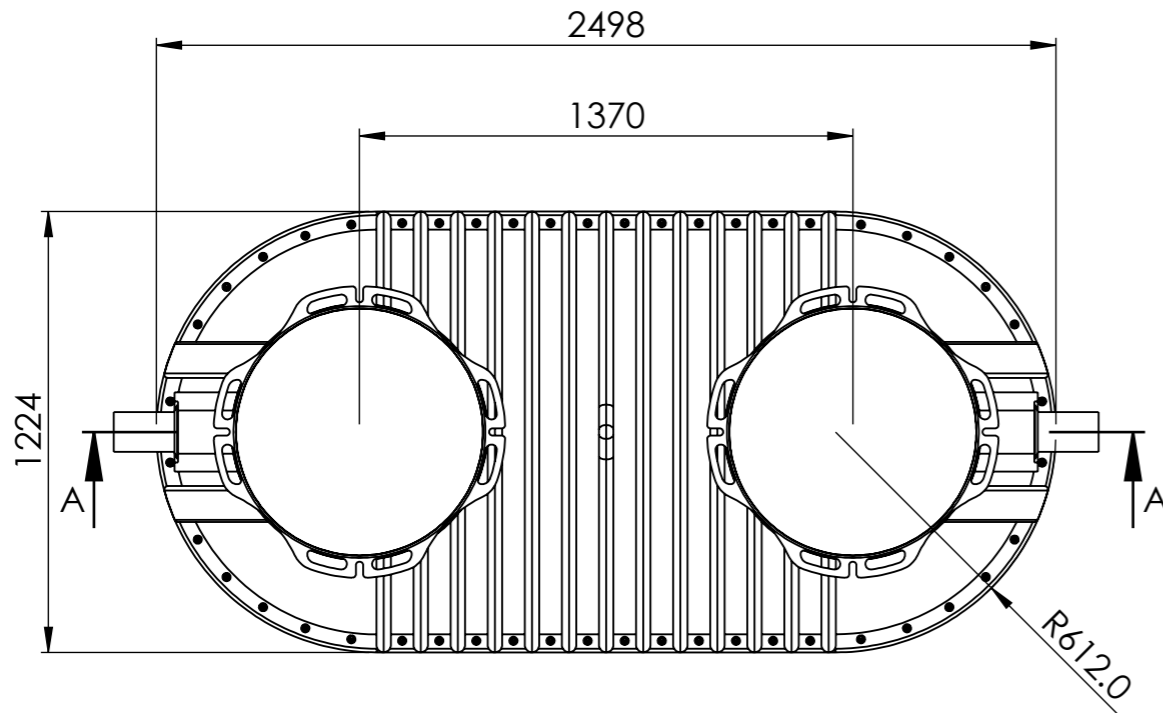
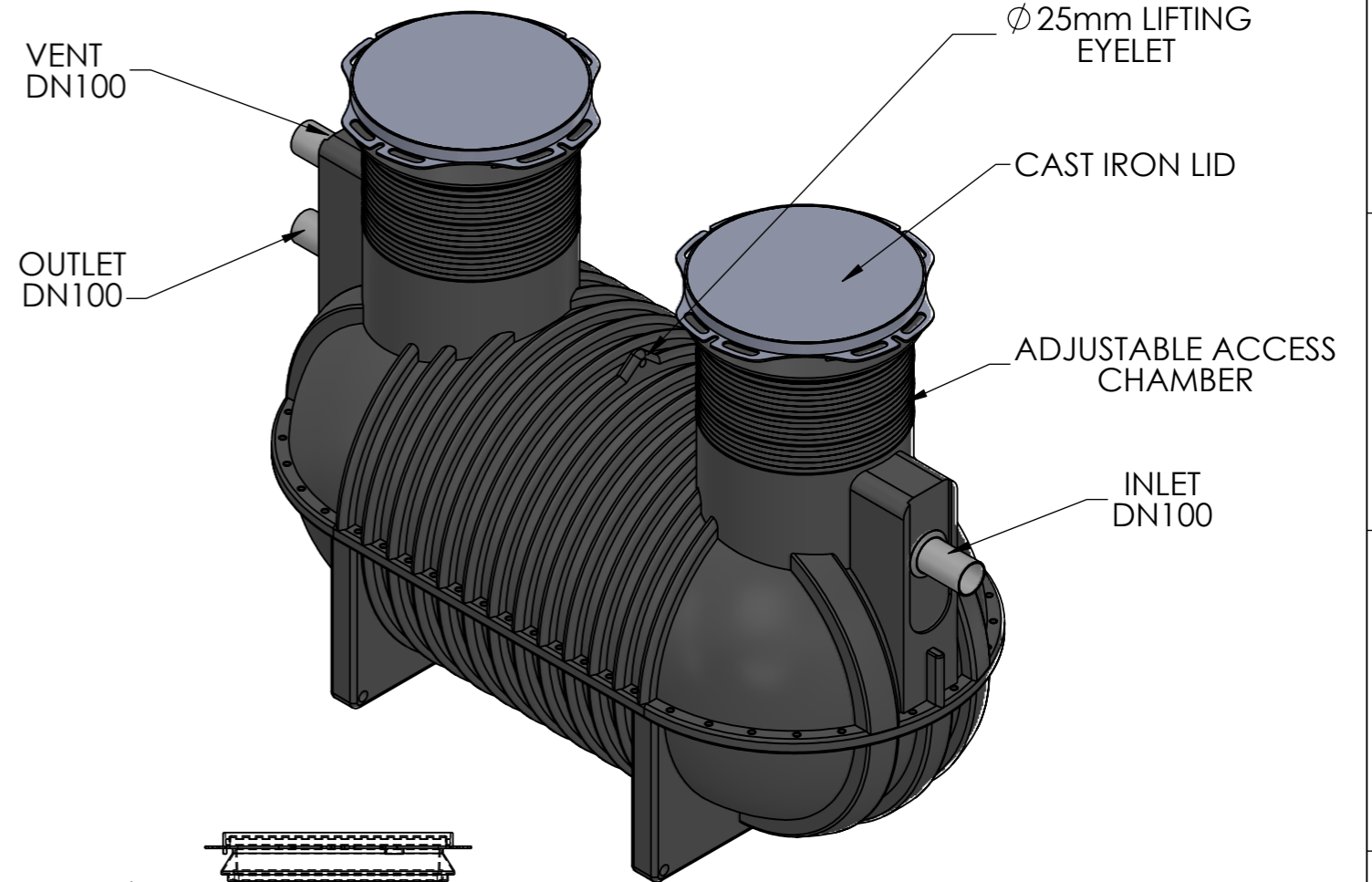


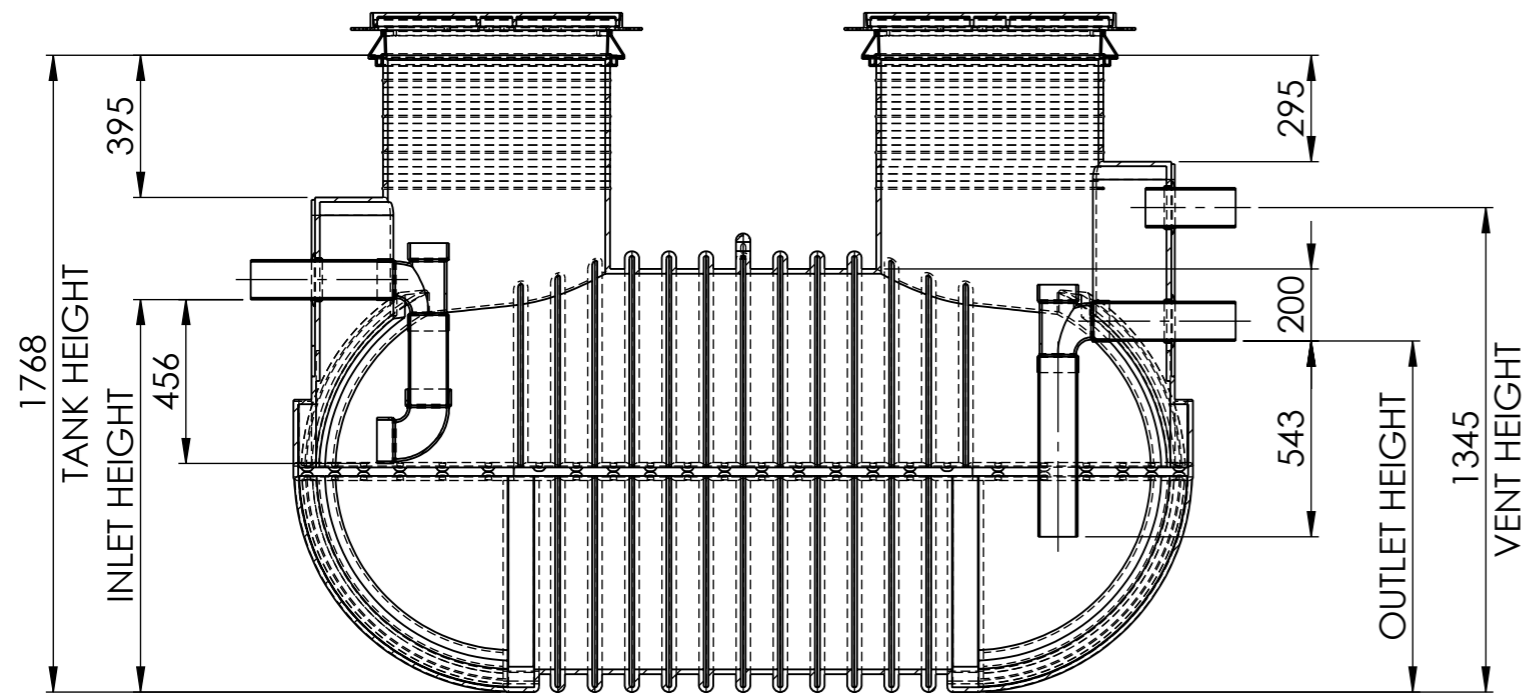
# 2000Ltr GREASE ARRESTOR LAYOUT - BELOW GROUND



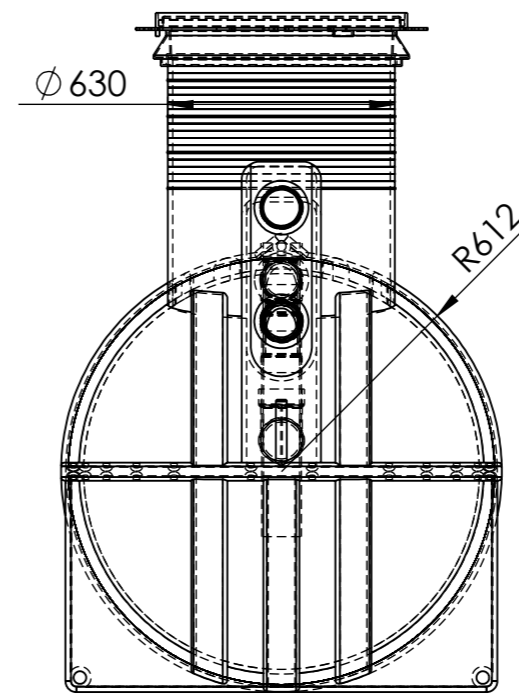
TOP VIEW



ISOMETRIC VIEW



SECTION A-A



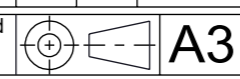
SIDE VIEW

REV	DESCRIPTION	DWN	CHK	APP	DATE
01	ISSUED FOR CONSTRUCTION	MI			25/07/22

MATERIAL	LDPE	DWN	MI
COLOUR/ FINISH		CHK	
S.G.		APP	
		SCALE: NTS	

STOCK CODE	GA2000B
PRODUCT	2000LTR GREASE ARRESTOR
GENERAL ARRANGEMENT DRAWING	

PROPRIETARY. Neither this document nor its contents may be used or reproduced in any manner without the written authorisation of COERCO. Unless otherwise noted all dimensions are in millimetres.



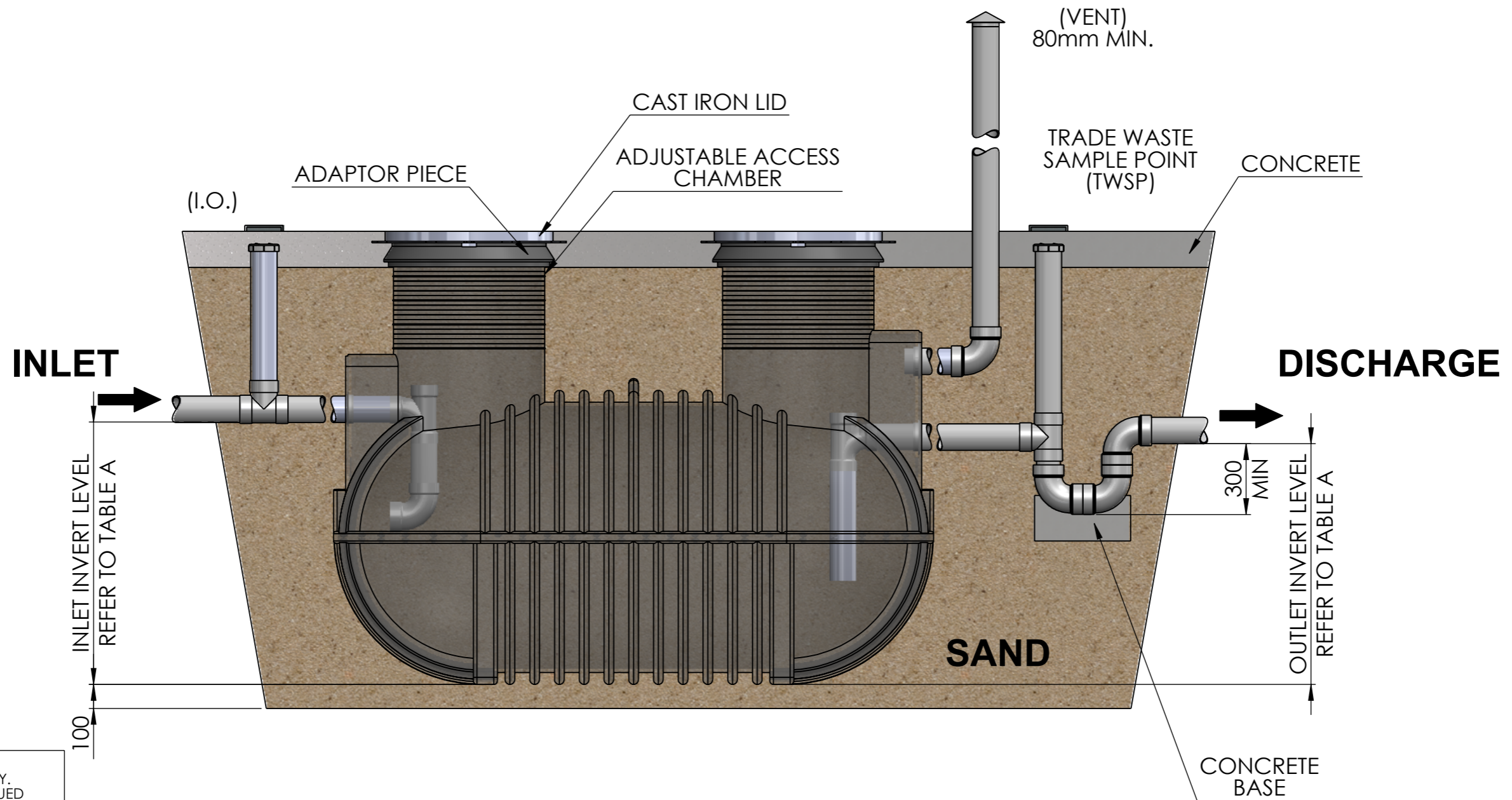
COERCO  
23 Harris Rd, Malaga Western Australia 6090

Phone: 1800 646 277  
E-mail: info@coerco.com.au



SHEET 1 OF 1	DWG NO.	C-GA2000B-001	REV.
--------------	---------	---------------	------

# 2000Ltr GREASE ARRESTOR LAYOUT - BELOW GROUND

This document must be read in conjunction with Water Corporation Plans HX33-10-00, HX33-11-30 and HX33-10-10. Lids located in trafficable areas must meet the requirements of AS/NZS 3996 and be supported with concrete to ensure no additional forces are applied to the tank.



NB: PIPEWORK IN THIS DRAWING FOR ILLUSTRATION PURPOSES ONLY. PLEASE REFER TO YOUR STATES ISSUED LAYOUT DRAWING FOR CORRECT LAYOUT.

						MATERIAL LDPE COLOUR/FINISH S.G.		DWN MI CHK APP SCALE: NTS		STOCK CODE GA2000B PRODUCT 2000LTR GREASE ARRESTOR GENERAL ARRANGEMENT DRAWING	
01	ISSUED FOR CONSTRUCTION	MI			29/02/22						
REV	DESCRIPTION	DWN	CHK	APP	DATE						
PROPRIETARY. Neither this document nor its contents may be used or reproduced in any manner without the written authorisation of COERCO Unless otherwise noted all dimensions are in millimetres						 A3		COERCO 23 Harris Rd, Malaga Western Australia 6090		Phone: 1800 646 277 E-mail: info@coerco.com.au	
						SHEET 1 OF 1		DWG NO. C-GA2000B-002		REV.	