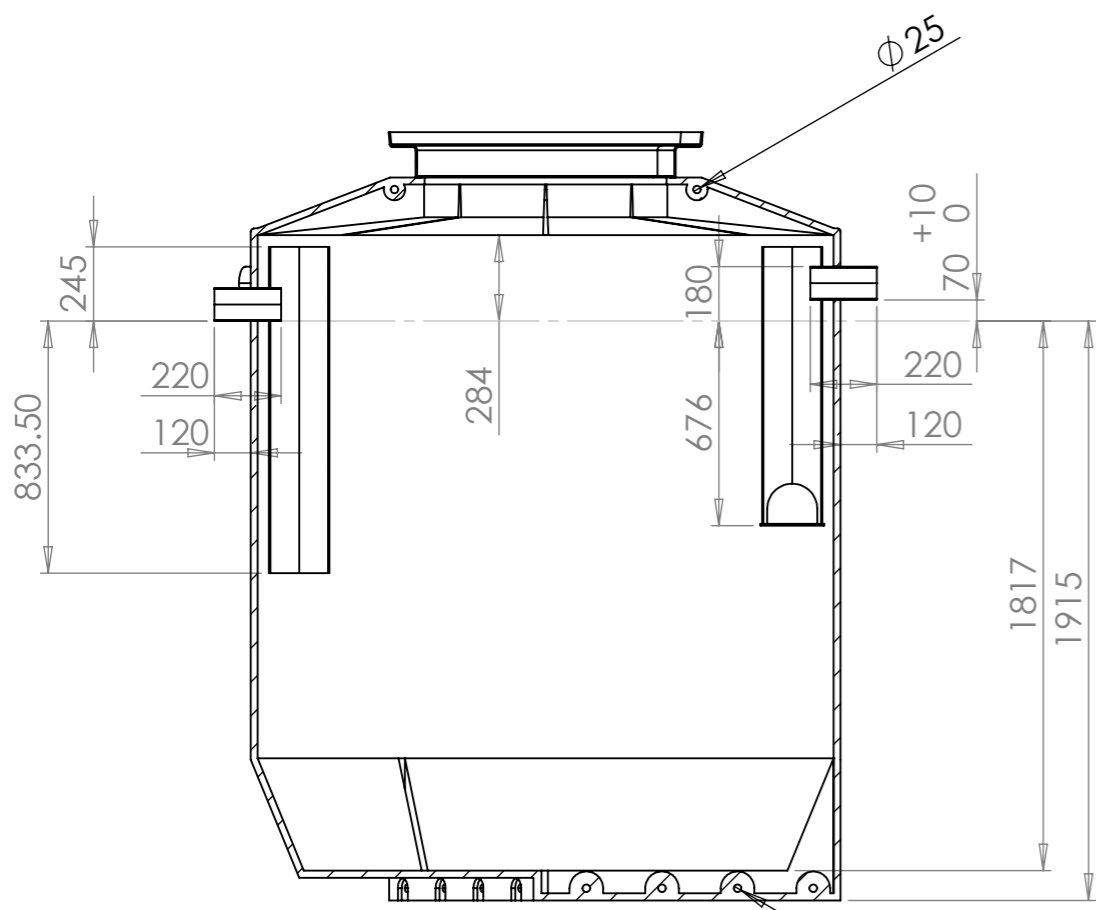
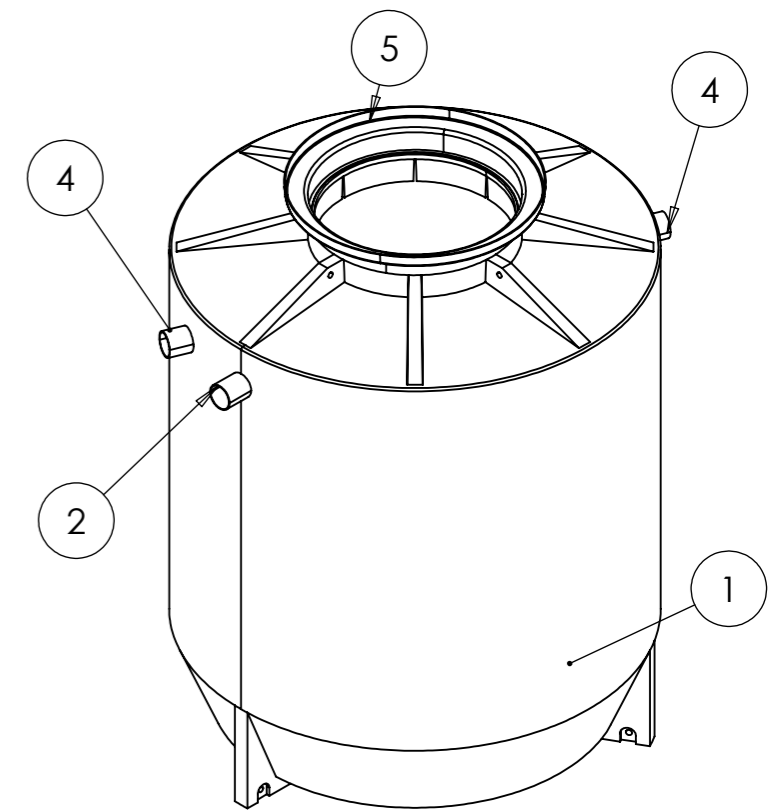
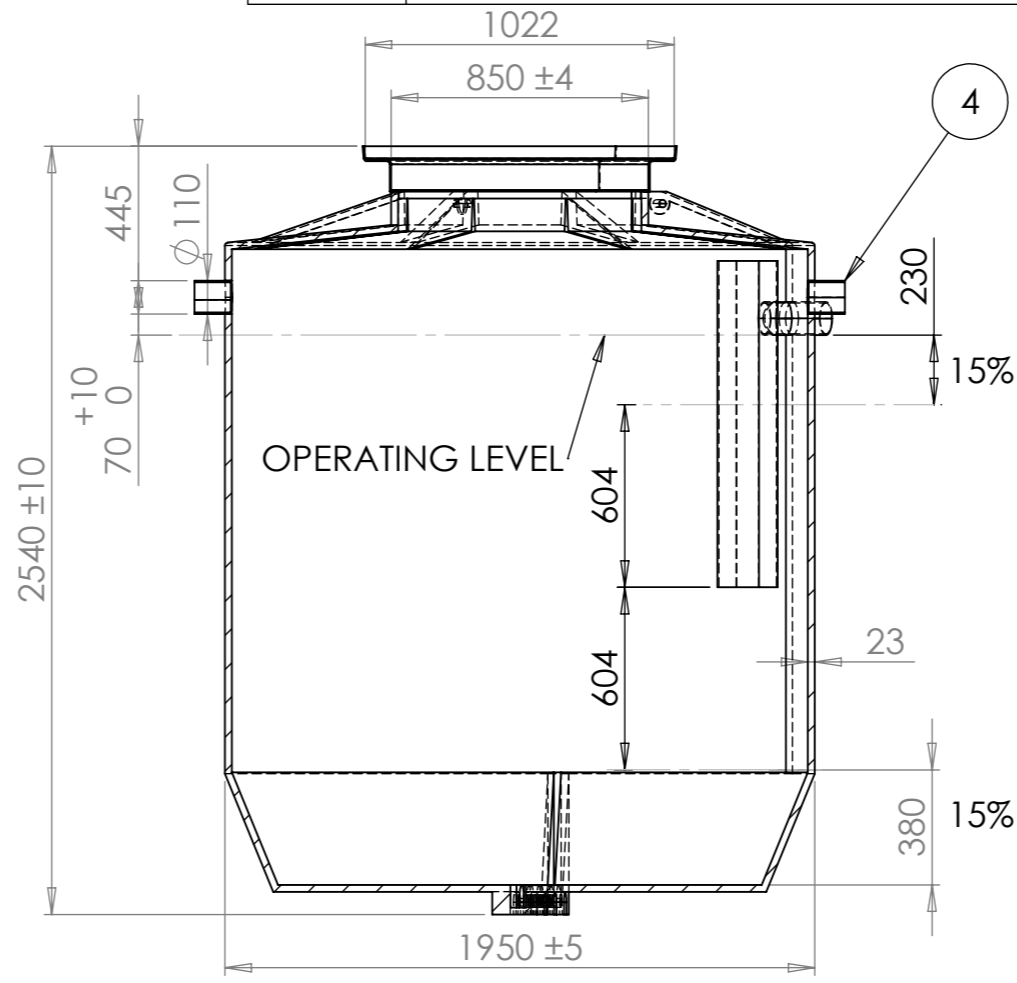
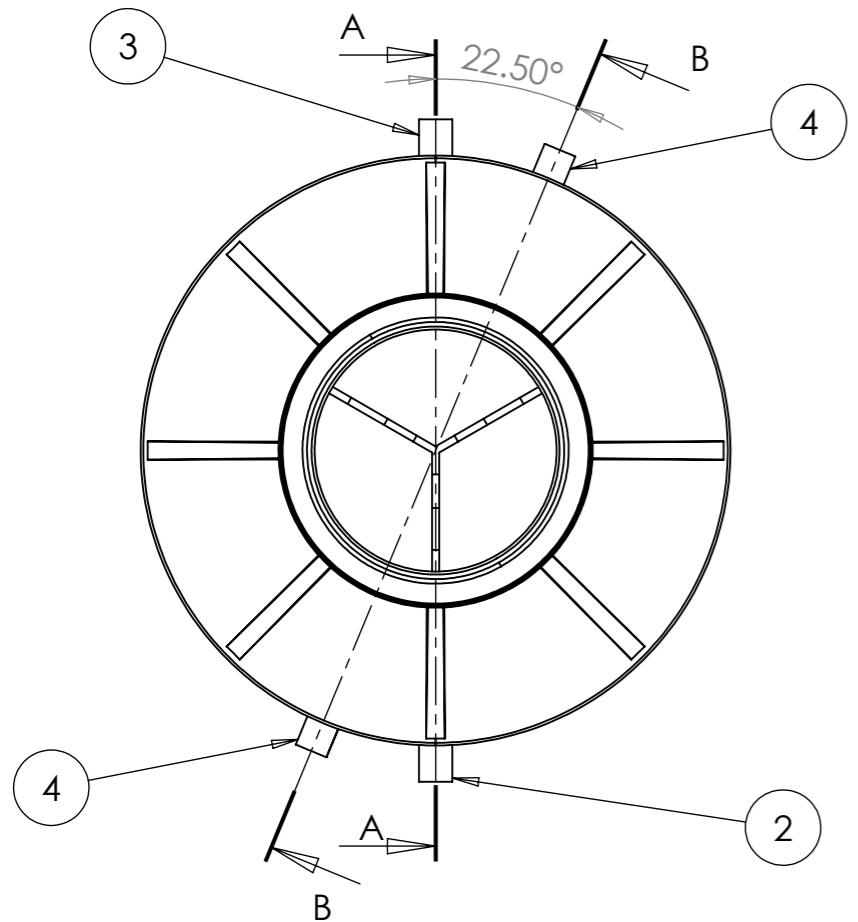


ITEM NO.	PART NUMBER	QTY.
1	SPE_#2164G5_5000L_Grease Separator.STEP	1
2	Ø110 Inlet Baffle_HDPE DN100_0170.23.37_inlet 7_Default_As Machined_.STEP	1
3	Ø110 Outlet Baffle_HDPE DN100_0170.23.38_outlet 7_Default_As Machined_.STEP	1
4	Ø110 x120mm Vent Spiggot_HDPE DN100.STEP	2
5	ACO_Grease Separator_SPE Adaptor Collar.STEP	1



SECTION B-B
SCALE 1 : 25

SECTION A-A
SCALE 1 : 25

Note:

- Following information must be clearly evident on conformance plate.
 - Standard : AS 5215
 - Manufacturer name : ACO
 - Part No : 143272
 - Volume : 5000L
 - Maximum grease storage depth : 230 mm
 - Maximum solids storage depth : 380 mm
 - Month and year of manufacture : MM/YY
- Conformance plate to be clearly visible after installation.
- Following markings to be clearly marked on the body of grease arrester.
 - Model number or product identifier : LIPUMAX PPE - 5000L
 - Dry weight : 467 kg
 - Lifting Points
 - Inlet
 - Outlet
 - Vent
- Both vents at same height.
- For Conformance plate see drawing Y043.

TOLERANCE EXCEPT WHERE OTHERWISE STATED : ±1%

A Outlet Baffle length changed		SN 3.10.23
Rev	Description	By Date
Revisions		
ACO Pty Ltd		
ACN 050 102 942 ABN 65 050 102 942 134 Old Bathurst Road, Emu Plains NSW 2152 Tel: 02 4747 4000 Fax: 02 4747 4040 Website: www.acoaus.com.au		
Third Angle Projection		Information contained in this drawing is copyright property of ACO. Any reproduction in part or whole without written permission of ACO is prohibited.
		DO NOT SCALE
Drawn by:	SHEHRYAR	Date: 05.01.23 Range: LIPUMAX
Material:	LLDPE	Finish: - Weight : kg 467
Job title:		
LIPUMAX PPE 5000L		
Page title:		
DETAILS		
CUSTOMER APPROVED		MANUFACTURING APPROVED
Name:	-	Name:
Date:	-	Date:
Scale:	1:25	Units: mm
Part or order No:	143272	Drawing No: Y042
Rev:	A	Sheet: 1 OF 1
Y042		
SHEET SIZE: A3		