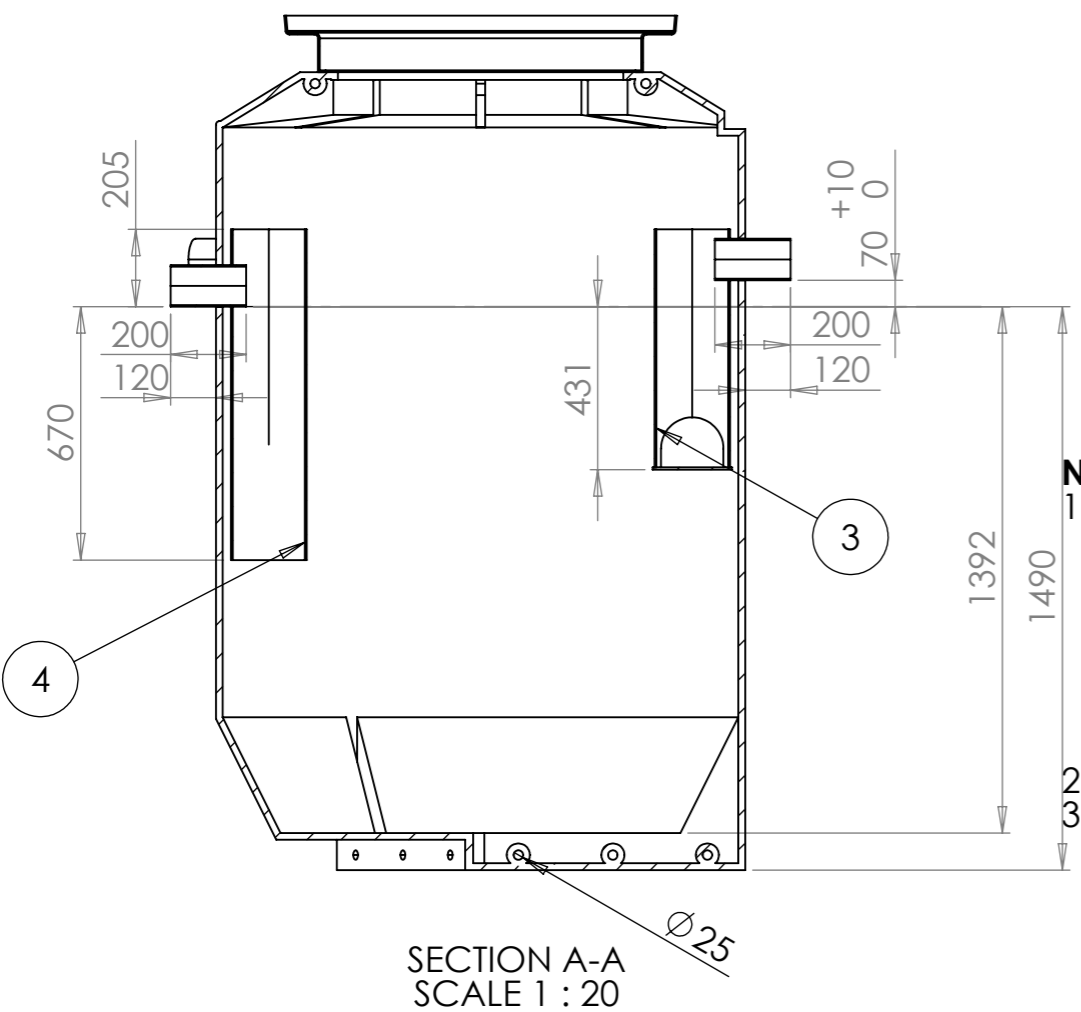
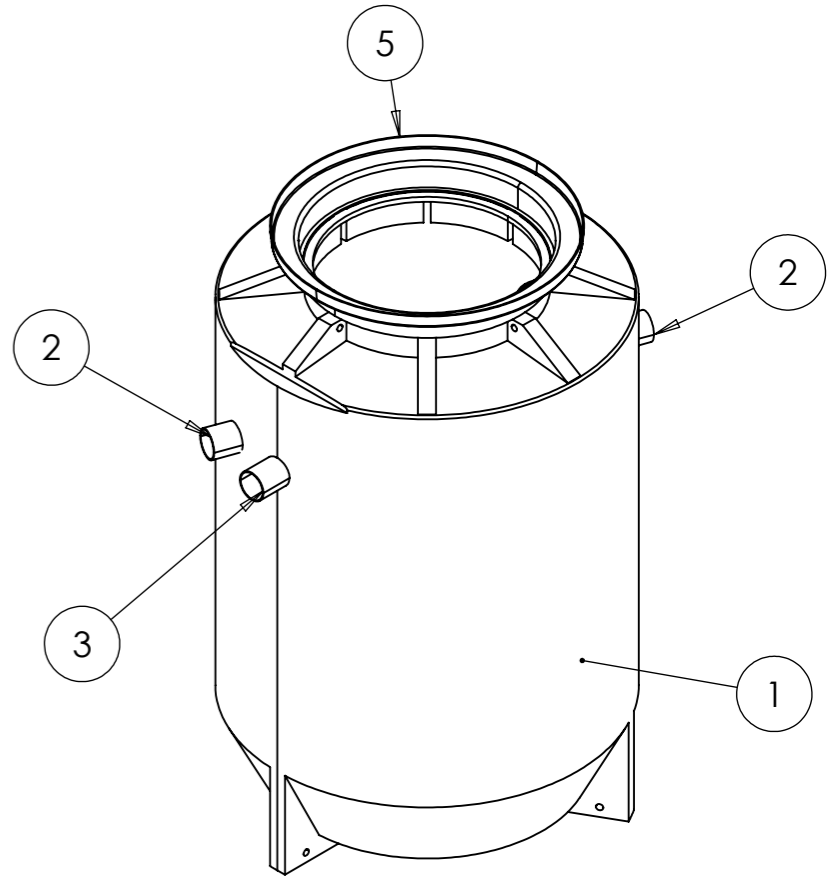
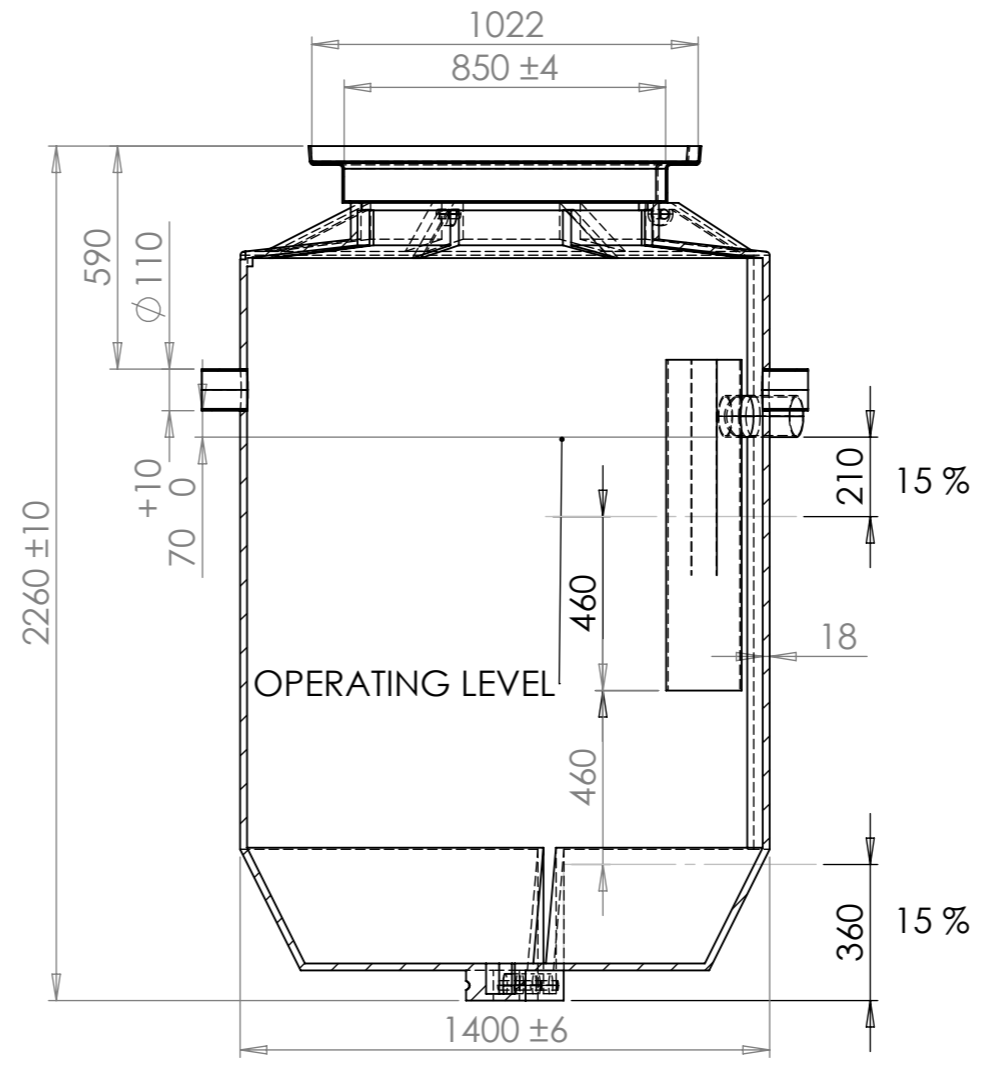
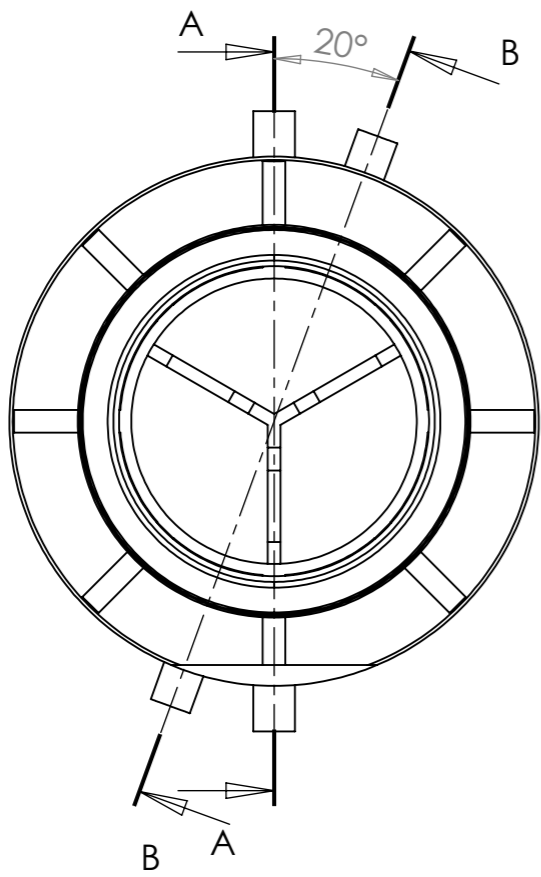


ITEM NO.	PART NUMBER	QTY.
1	SPE_#2158G2_2000L Grease Separator.STEP	1
2	Ø110 x120mm Vent Spiggot_HDPE DN100.STEP	2
3	Ø110 Inlet Baffle_HDPE DN100_Default_As Machined_.STEP	1
4	Ø110 Outlet Baffle_HDPE DN100_Default_As Machined2000L.STEP	1
5	ACO_Grease Separator_SPE Adaptor Collar.STEP	1



- Note:**
- Following information must be clearly evident on conformance plate.
 - Standard : AS 5215
 - Manufacturer name : ACO
 - Part No : 143269
 - Volume : 2000L
 - Maximum grease storage depth : 210 mm
 - Maximum solids storage depth : 360 mm
 - Month and year of manufacture : MM/YY
 - Conformance plate to be clearly visible after installation.
 - Following markings to be clearly marked on the body of grease arrester.
 - Model number or product identifier : LIPUMAX PPE - 2000L
 - Dry weight : 220 kg
 - Lifting Points
 - Inlet
 - Outlet
 - Vent
 - Both vents at same height.
 - For Conformance plate see drawing Y043.

TOLERANCE EXCEPT WHERE OTHERWISE STATED : ±1%

A Outlet Baffle Length Changed		SN 31.10.23
Rev	Description	By Date
Revisions		
ACO Pty Ltd		
ACN 050 102 942 ABN 65 050 102 942 134 Old Bathurst Road, Emu Plains NSW 2152 Tel: 02 4747 4000 Fax: 02 4747 4040 Website: www.acoaus.com.au		
Third Angle Projection		Information contained in this drawing is copyright property of ACO. Any reproduction in part or whole without written permission of ACO is prohibited.
DO NOT SCALE		
Drawn by:	DATE:	RANGE:
SHEHRYAR	05.01.23	LIPUMAX
Material:	Finish:	Weight : kg
LLDPE	-	220
Job title:		
LIPUMAX PPE 2000L		
Page title:		
DETAILS		
CUSTOMER APPROVED		MANUFACTURING APPROVED
Name:	Date:	Name:
-	-	-
Scale:	Units:	Part or order No:
1:20	mm	143269
Drawing No:	Rev:	Sheet:
Y039	A	1 OF 1
SHEET SIZE: A3		