

Installation guide

ECOJET GREASE SEPARATOR



| VERSION NO. | IMPLEMENTED BY | REVISION DATE | REASON |
|--------------------|-----------------------|----------------------|---|
| 18 | Kate Jennings | 17.07.2018 | Water authority requirements consolidated |

Contents

| | | |
|----------|--|----------|
| 1 | GENERAL | 3 |
| 2 | SAFETY CONSIDERATIONS | 3 |
| 3 | SIZING | 4 |
| 4 | INSTALLATION | 5 |
| 5 | MAINTENANCE | 7 |
| 6 | WATER AUTHORITY APPROVALS | 7 |
| 7 | CONTACT INFORMATION | 8 |

1 GENERAL

The ACO Passavant EcoJet grease separator is designed for above ground installation only. EcoJet grease separators are designed to remove waste Fats, Oils and Grease (FOG) from commercial tradewaste from applications such as commercial kitchens and food processing factories. They are not anticipated for use in residential applications.

When discharging tradewaste into the public sewer system, local water authority requirements must be adhered to.

2 SAFETY CONSIDERATIONS

All work in installing and maintaining this grease separator shall comply with requirements of the relevant authorities.

2.1 Site handling

Inspect the EcoJet upon delivery and prior to installation, check for damage that may have occurred during transportation or at the job site prior to installation.

Grease separators can be extremely large. To avoid damage to the grease separator, ensure that correct equipment (e.g. forklift, crane or sling ropes) is available for proper unloading and manoeuvring on site.

2.2 Workplace Health and Safety (WHS)

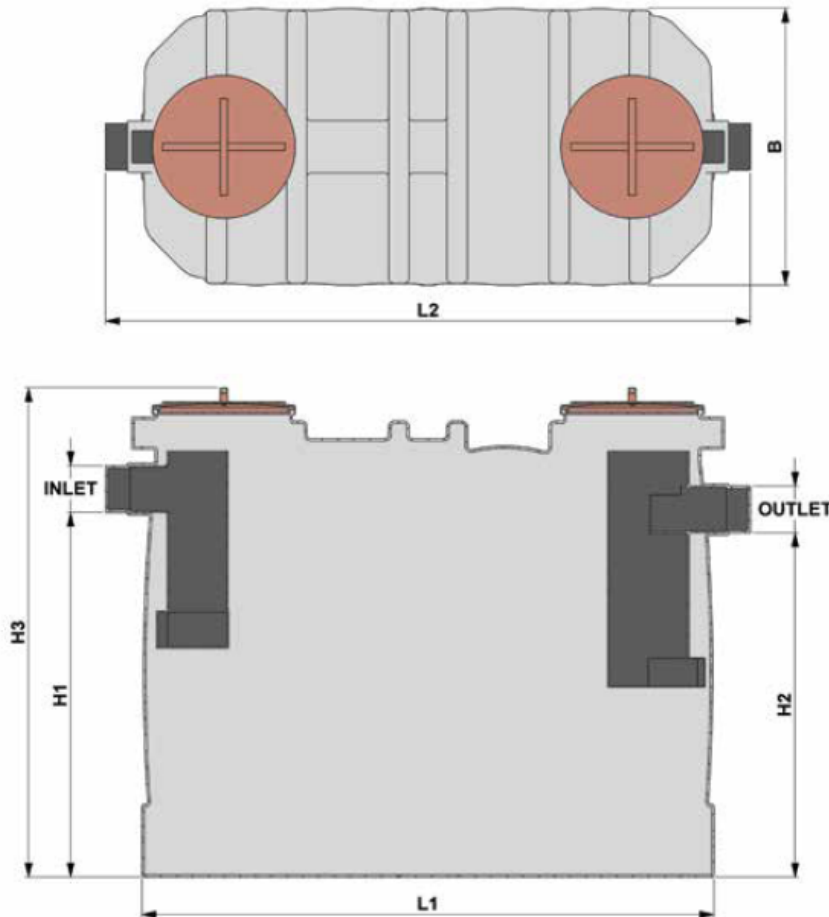
Safety instructions are intended to prevent damage to equipment or injury to personnel and must be read before any maintenance is performed.

- All safety instruction labels must be replaced if they become detached or illegible
- Installed devices (e.g. baffles, inlet and outlet parts, etc.) are not load bearing, they must not be used as steps, footholds or resting places for cleaning equipment etc.
- Grease separators should be not be installed where a danger to health is possible from the grease separator leaking, blocking or surcharging

3 SIZING

3.1 Sizing

The correct sizing and regular emptying of a grease separator is vital to its correct and on-going function.



EcoJet parts table

| Part No. | Description | Capacity (L) | Weight Empty (kg) | Inlet/Outlet | H1 | H2 | H3 | L1 | L2 | B |
|----------|--------------|--------------|-------------------|--------------|------|------|------|------|------|-----|
| 142088 | EcoJet 630L | 630 | 80 | 110 | 1055 | 985 | 1500 | 1450 | 1650 | 700 |
| 142089 | EcoJet 830L | 830 | 95 | 110 | 1055 | 985 | 1500 | 1760 | 2000 | 700 |
| 142090 | EcoJet 1000L | 1430 | 170 | 160 | 1250 | 1180 | 1700 | 1760 | 2000 | 950 |
| 142091 | EcoJet 1500L | 1600 | 187 | 160 | 1250 | 1180 | 1700 | 1960 | 2200 | 950 |
| 142093 | EcoJet 2000L | 2000 | 220 | 160 | 1250 | 1180 | 1700 | 2450 | 2690 | 950 |

Note: All dimensions are in mm.

EcoJet accessories table

| Part No. | Description | Weight (kg) |
|------------|-------------------------------|-------------|
| 0170.31.05 | EcoJet extension shaft* | 12.0 |
| 142103 | Baffle caps to suit NS 3-4 | 0.1 |
| 142104 | Baffle caps to suit NS 5.5-10 | 0.1 |

* Two required for all Queensland Urban Utilities applications.

Each separator is supplied with a sticker on each side identifying the separator and size.



4 INSTALLATION

The EcoJet grease separator must be installed in compliance with local water authority regulations, Safework Australia and all other codes of practice. Prior to installation, ensure that the local water authority approves each installation.

The grease separator should be installed on level concrete.

Before using the grease separator for the first time, fill with clean water.

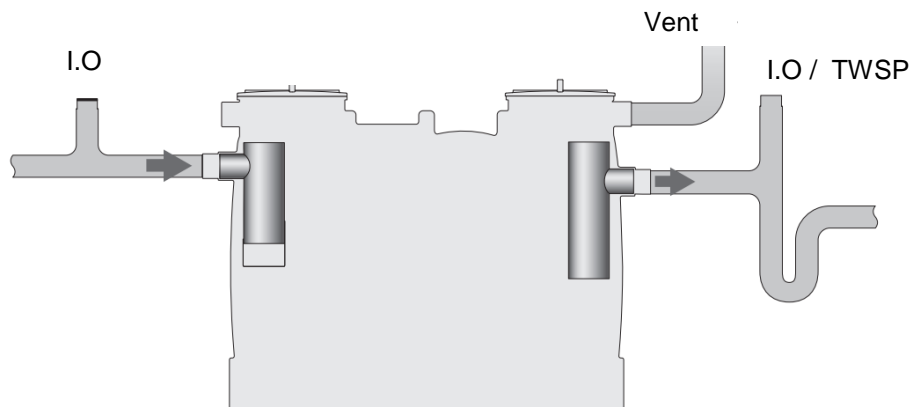
4.1 Location

Ensure the location of the grease separator is positioned where a maintenance contractor can easily access for pump out. If in doubt, contact a grease removal contractor and obtain a written agreement that the grease separator is able to be serviced.

All above ground grease separators require steps and a platform for maintenance purposes, in accordance with AS 1657-1992.

4.2 Connecting pipes

Connecting pipes and pipe materials should be installed in accordance with AS 3500 and local plumbing codes.



- *IO: Inspection Opening
- *TWSP: Trade Waste Sampling Point

To fit the vent, use a hole saw to drill open the cap marked 'vent'.

ACO Passavant can be used in conjunction with a number of different pipe materials. Connecting pipes and pipe materials should be installed in accordance with AS/NZS 3500 and local plumbing codes.

Note: Check manufacturers approvals for use in ground slab applications, prior to use. Couplings are not supplied by ACO

HDPE pipe

- HDPE connector (left)
- Flexible coupling (middle)
- Flex seal shielded coupling (right)



PVC pipe

- Flexible coupling (left)
- Flex seal shielded coupling (middle)
- PVC slip coupling (right)



5 MAINTENANCE

The cleaning interval must be agreed with the local water authority. Once this has been reached, the contents of the grease separator must be emptied, cleaned and refilled with cold water to recommence kitchen activity. This must be carried out by qualified, approved personnel.

Before disposal and cleaning, kitchen operation must stop. The entire contents of the grease separator should be removed by a disposal truck with a suction hose through the maintenance openings.

Once emptied, the tank must be cleaned manually using a hose/high pressure hose to completely remove the residual FOG from the walls of the grease separator. Scraping may also be required to achieve this. The cleaning water must also be removed from the grease separator. Finally, the grease separator must be refilled at least 2/3 of the entire volume with a hosepipe from an on-site water supply and lids re-fitted with clamp ring in place.

6 WATER AUTHORITY APPROVALS

Please refer to www.acopassavant.com.au/approvals for a list of the approved ACO grease separator water authority approvals.

Some authorities have specific requirements for applications within their catchment. Below are some of these requirements, but contact the local authority for case-by-case advice.

Water Corporation

- Refer to drawing HX33-11-30 for precise construction requirements of TWSP.
- Only camlock fittings are to be used for the pump out line and no fixed suction lines to be installed.
- A baffle cap is required on the outlet baffle. Refer to section 3 for ordering information.
- A hose tap fitted with a backflow prevention device must be located within 5 metres of the grease separator for cleaning purposes (as per AS/NZS 3500).
- Adequate backflow prevention must be in place. Refer to Water Corporation *Grease Arrestors Installation Guidelines (Information Sheet 23B)*.

Sydney Water

- A certificate of compliance from a licensed plumber must be supplied when a grease separator is being installed.

Icon Water

- A baffle cap is required on the inlet and outlet baffles. Refer to section 3 for ordering information.

Queensland Urban Utilities

A raising piece is required on each maintenance opening cut to increase overall height of separator by 100mm. Ensure two are installed with each grease separator – part number 3300.13.00.

Unity Water requirement

A raising piece is required on each maintenance opening cut to increase overall height of

separator by 100mm. Ensure two are installed with each grease separator – part number 3300.13.00.

7 CONTACT INFORMATION

For queries, servicing assistance and spare parts, contact ACO.

ACO Pty Ltd
134-140 Old Bathurst Road
Emu Plains
NSW 2750
Australia
e: sales@acoaus.com.au p: +61 2 4747 4000