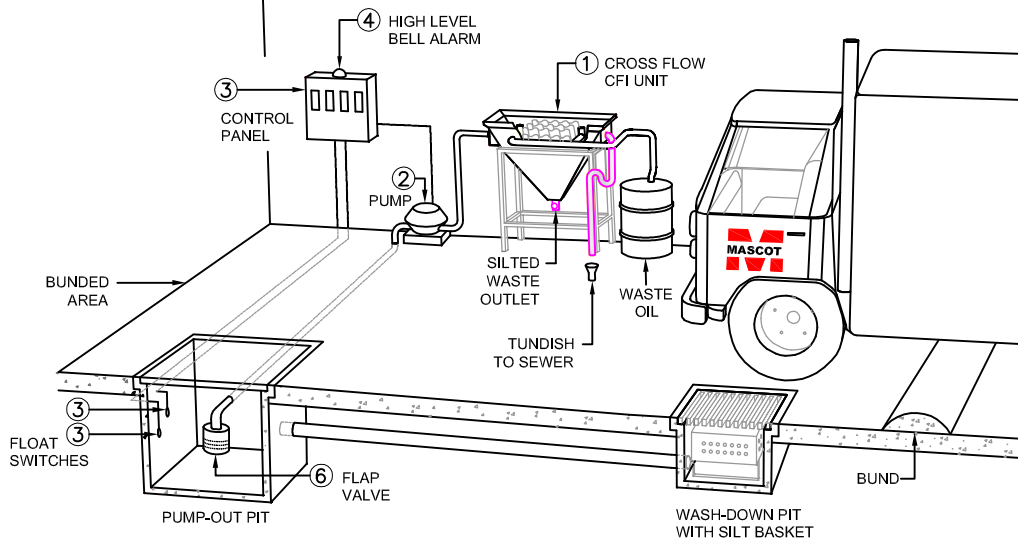
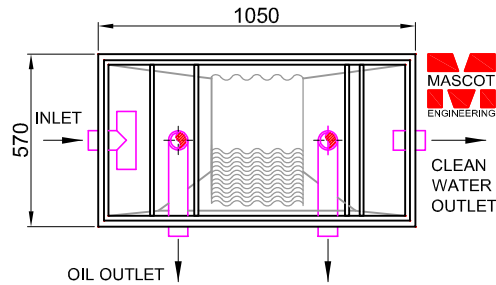


RECOMMENDED MASCOT ENGINEERING CROSS FLOW INTERCEPTOR SETUP



PICTORIAL VIEW OF SETUP

SCALE: NTS



OPEN TANK PLAN VIEW

SCALE 1:25

GENERAL NOTES:
 AUSTRALIAN DESIGNED AND MANUFACTURED, THE MASCOT CFI UNIT IS ONE OF THE MOST EFFICIENT ON THE MARKET. UNIT CAN BE SUPPLIED IN TWO STANDARD MODELS AND ARE CAPABLE OF REDUCING THE OIL CONTENT IN THE EFFLUENT TO LESS THAN 10 PART PER MILLION:

CROSS FLOW UNITS	
1. CF15	1500 LITRE CFI UNIT
1. CF30	3000 LITRE CFI UNIT

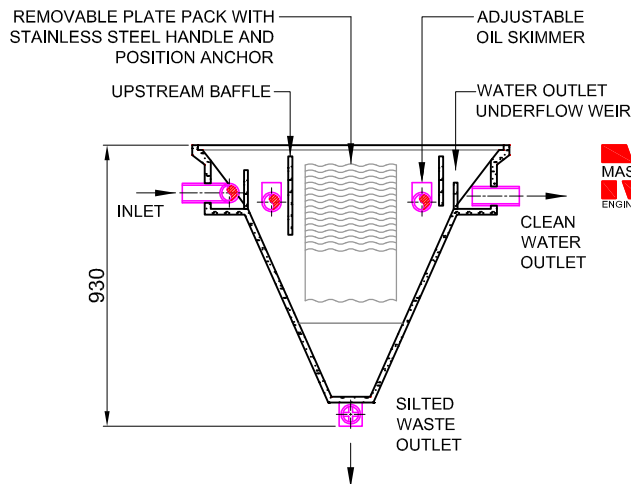
ABOVE CFI UNITS COME COMPLETE WITH CFI UNIT, PLATE PACK, STAND & COVERS

PUMPS	
2. CFICP25	PUMP FOR CF15
2. CFICP800	PUMP FOR CF30

ABOVE PUMPS ARE PROGRESSIVE CAVITY 240VOLT (NON FLAME PROOF), 415 VOLT AND FLAME PROOF OPTIONS ARE AVAILABLE.

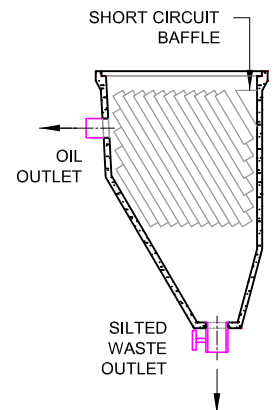
ACCESSORIES	
3. CFICP	CONTROL PANEL
4. CFIBA	BELL ALARM
5. CFIFS	FLOAT SWITCH (ONE ONLY)
6. CFIFV15	FLAP VALVE FOR CF15
6. CFIFV30	FLAP VALVE FOR CF30

WASH DOWN AND PUMP-OUT PITS ARE ALSO AVAILABLE IN OUR UNIQUE GLASS REINFORCED CONCRETE GRC FOR EASY INSTALLATION.



SIDE SECTION

SCALE 1:25



END SECTION

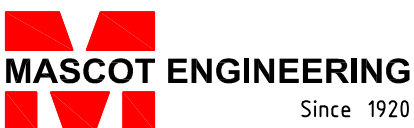
SCALE 1:25

ALL DIMENSIONS ARE APPROXIMATE AND IN mm UNLESS OTHERWISE NOTED

SPECIFICATION

Glass Reinforced Concrete Cross Flow Interceptor must be free of steel reinforcement to prevent corrosion.
 Cross Flow Interceptor to be Mascot Engineering GRC litre.
 Model number CFI complete with Pump.
 Products to be installed as per the manufacturers installation instructions.

© Copyright



PRODUCT DESCRIPTION:

GRS CROSS FLOW INTERCEPTOR UNIT

ph: 1300 885 295
 fax: 1300 885 296
 email: sales@mascoteng.com.au
 www.mascotengineering.com.au

SCALE:

1:25

REVISION:

A

DRAWING NO:

TW.CFI.PC