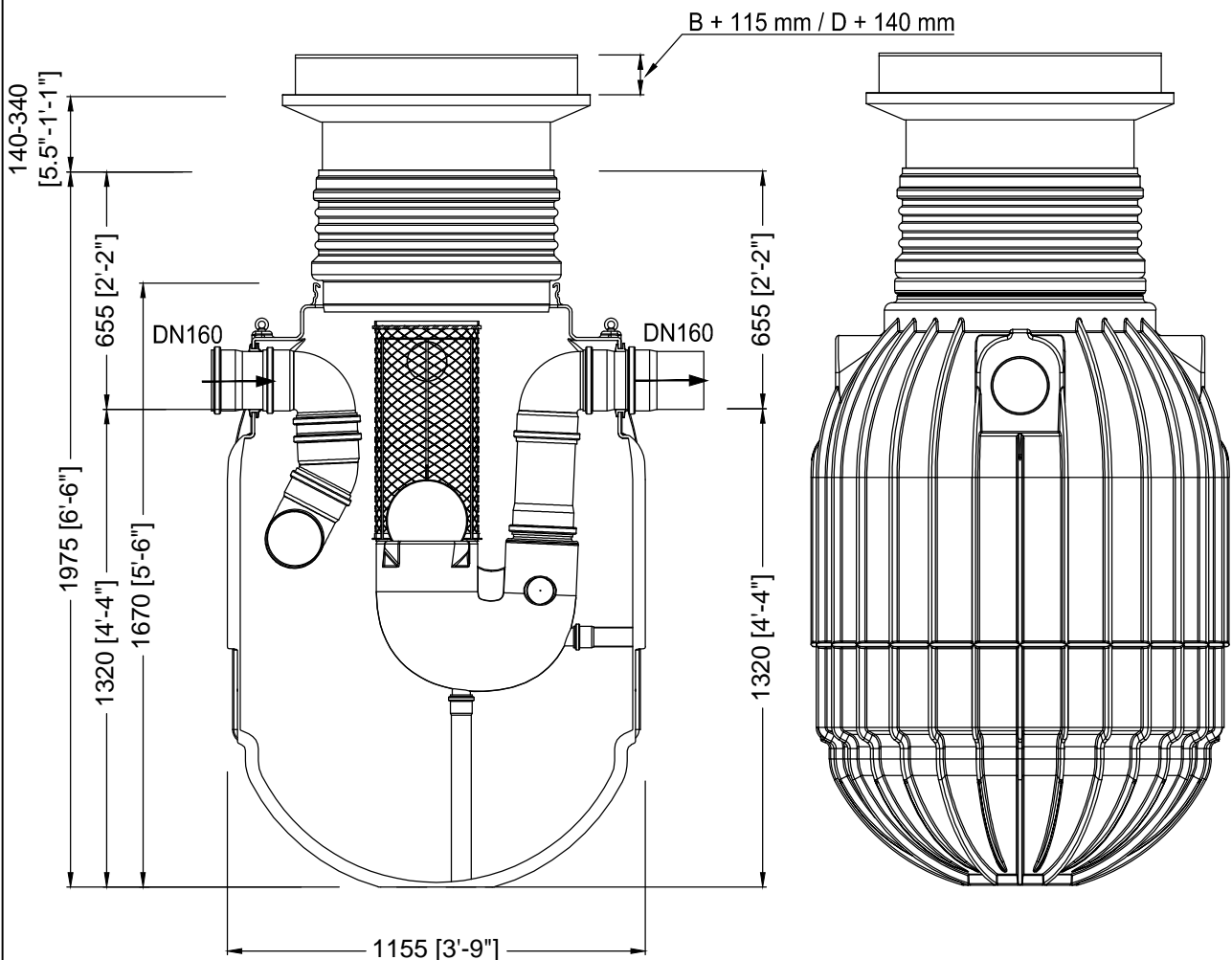


APPROXIMATE:
 WORKING CAPACITY = 1100L
 SPILL CAPACITY = 500L
 SILT CAPACITY = 400L



D GRAF LF-Abscheider KLsepa.compact+ NS 3 EX,T,SF: 400 L, KLASSE I, SAPHIR 1200 L			Artikel-Nr. product no. 108103 article no. articulo no.
GB Light liquid separator KLsepa.compact+ NS 3 EX,T,ST: 400 L, class I, SAPHIR 1200 L	ES Separador líquidos ligeros KLsepa.compact+ NS 3 EX,T,alm.lodos: 400 L, clase I, SAPHIR 1200 L	FR Séparateur liquides légers KLsepa.compact+ NS 3 EX,T,SF: 400 L, cl.I, SAPHIR 1200 L	revision
gezeichnet drawn ISC	Gewicht weight 110 kg	Otto Graf GmbH Carl-Zeiss-Str. 2-6 DE-79331 Teningen mail@graf.info www.graf.info	
Datum date 2017.08.01	Toleranz tolerance +/- 3%		
Maßstab scale M 1:20	Einheiten units mm [inch] gal. = US gal.		