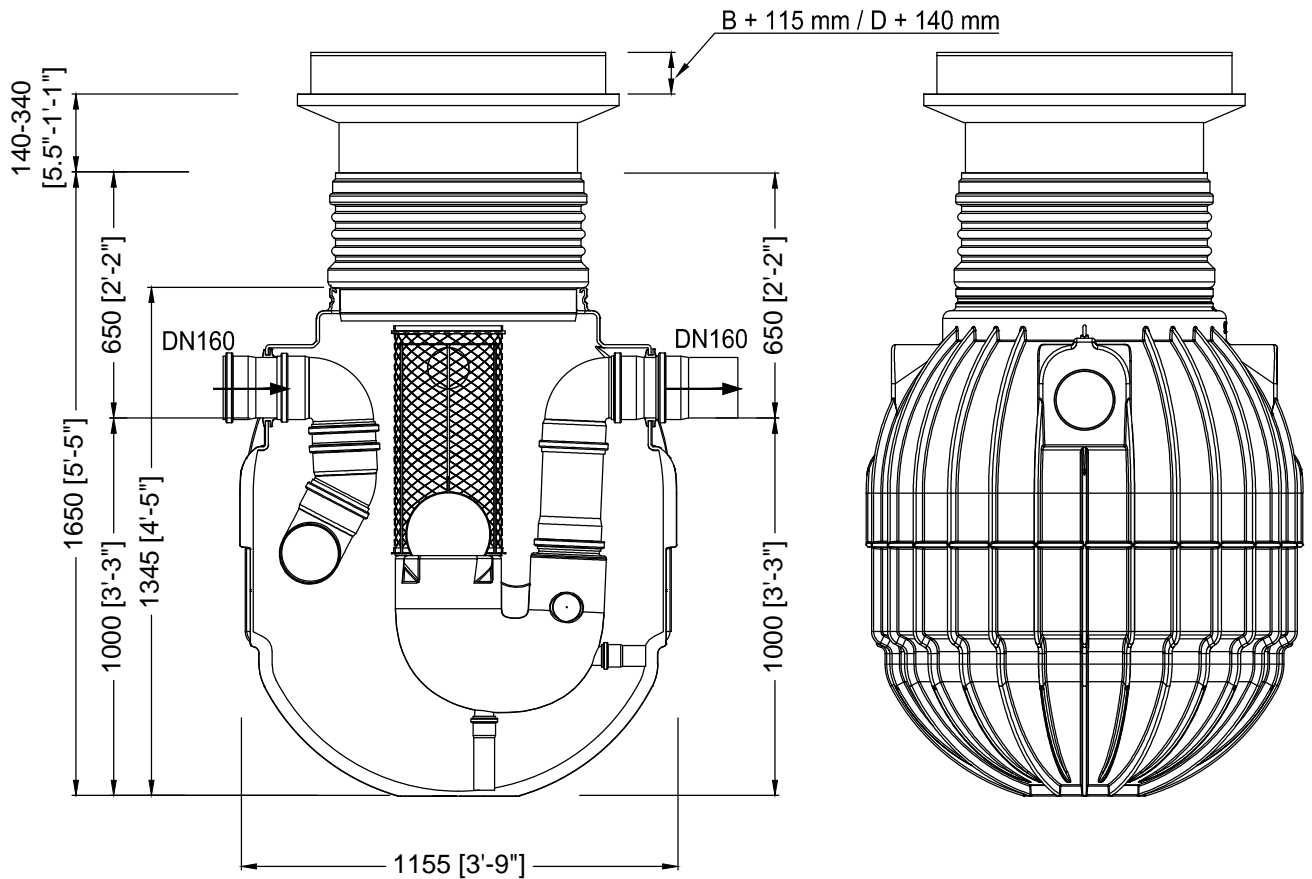
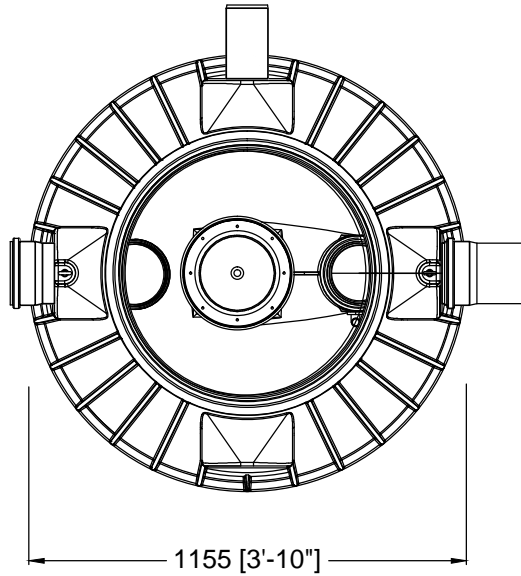


**APPROXIMATE:**  
 WORKING CAPACITY = 770L  
 SPILL CAPACITY = 300L  
 SILT CAPACITY = 300L



<b>D</b> <b>GRAF LF-Abscheider KLsepa.compact+ NS3</b> <b>EX,SF: 300 L KLASSE I, SAPHIR 900 L</b>			Artikel-Nr. product no. article no. <b>108101</b>
<b>GB</b> Light liquid separator KLsepa.compact+ NS 3 EX,ST: 300 L, class I, SAPHIR 900 L	<b>ES</b> Separador líquidos ligeros KLsepa.compact+ NS 3 EX,alm.lodos: 300 L clase I, SAPHIR 900 L	<b>FR</b> Séparateur liquides légers KLsepa.compact+ NS 3 EX,SF: 300 L, cl.I, SAPHIR 900 L	revision
gezeichnet drawn <b>ISC</b>	Gewicht weight <b>80 kg</b>	<b>Otto Graf GmbH</b> Carl-Zeiss-Str. 2-6 DE-79331 Teningen mail@graf.info www.graf.info	
Datum date <b>2017.08.01</b>	Toleranz tolerance <b>+/- 3%</b>		
Maßstab scale <b>M 1:20</b>	Einheiten units mm [inch] gal. = US gal.		
			