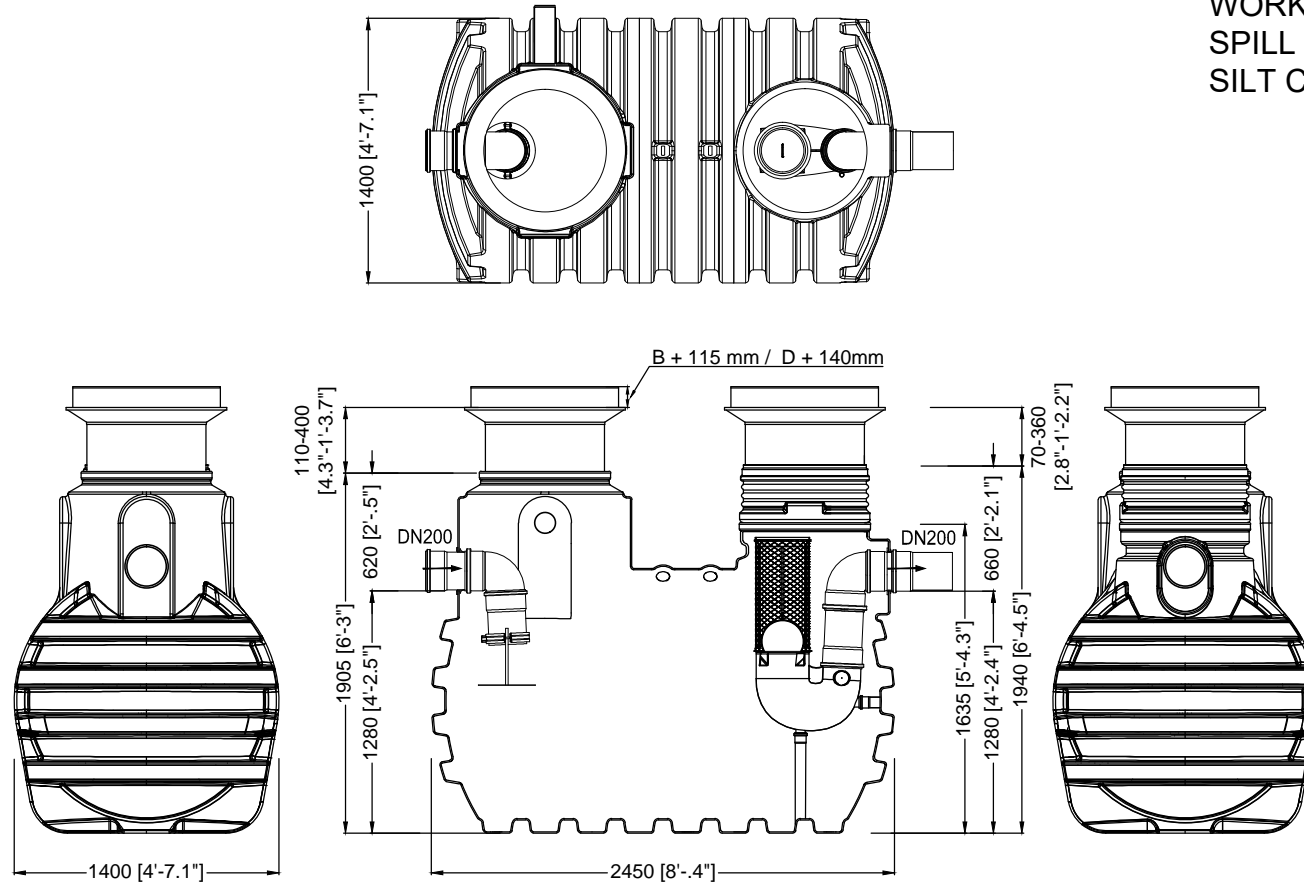


APPROXIMATE:
 WORKING CAPACITY = 3330L
 SPILL CAPACITY = 500L
 SILT CAPACITY = 2000L



D			GRAF LF-Abscheider KLsepa.compact+ NS 10 EX,T,SF: 2000 L, KLASSE I, DIAMANT TYP3		Artikel-Nr. product no. 108113 article no. articulo no.	
GB		ES		FR		
Light liquid separator KLsepa.compact+ NS 10 EX,T,ST: 2000 L, class I, DIAMANT TYP3		Sperador liquidos ligeros KLsepa.compact+ NS 10 EX,T,alm.lodos: 2000 L, clase I, DIAMANT TYP3		Séparateur liquides légers KLsepa.compact+ NS 10 EX,T,SF: 2000 L, cl.I, DIAMANT TYP3		
gezeichnet, drawn ISC		Gewicht, weight 250 kg		revision		
Datum, date 2017.08.08		Toleranz, tolerance +/- 3%		Maßstab, scale M 1:40		Einheiten, units mm [inch] gal. = US gal.
Otto Graf GmbH Carl-Zeiss-Str. 2-6 DE-79331 Teningen mail@graf.info www.graf.info						