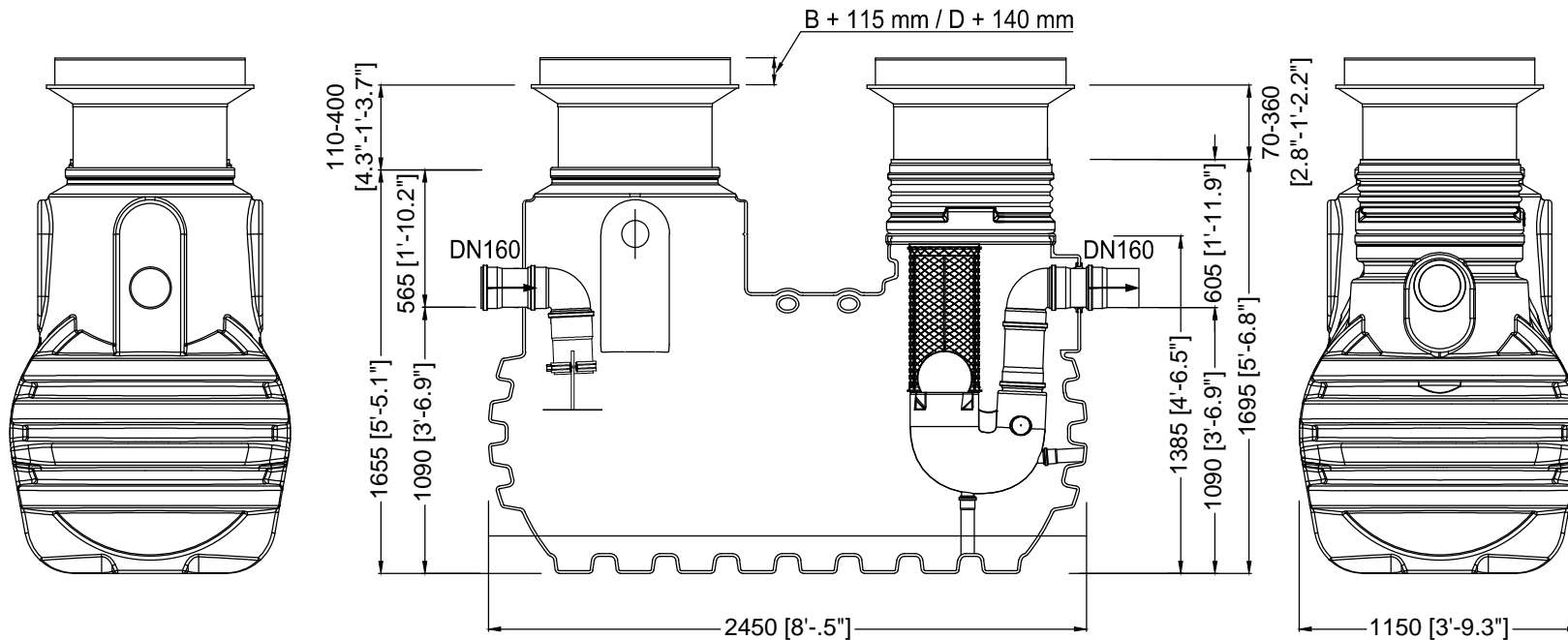


APPROXIMATE:
 WORKING CAPACITY = 2210L
 SPILL CAPACITY = 500L
 SILT CAPACITY = 1300L



D GRAF LF-Abscheider KLsepa.compact+ NS 10 EX,T,SF: 1300 L, KLASSE I, DIAMANT TYP2			Artikel-Nr. product no. 108111 article no. articulo no.	
GB Light liquid separator KLsepa.compact+ NS 10 EX,T,ST: 1300 L, class I, DIAMANT TYP2	ES Separador líquidos ligeros KLsepa.compact+ NS 10 EX,T,alm.lodos: 1300 L, clase I, DIAMANT TYP2	FR Séparateur liquides légers KLsepa.compact+ NS 10 EX,T,SF: 1300 L, cl.I, DIAMANT TYP2	Otto Graf GmbH Carl-Zeiss-Str. 2-6 DE-79331 Teningen mail@graf.info www.graf.info	
gezeichnet, drawn	ISC	Gewicht, weight	165 kg	revision
Datum, date	2017.08.08	Toleranz, tolerance	+/- 3%	Maßstab, scale
		M 1:30		Einheiten, units mm [inch] gal. = US gal.

