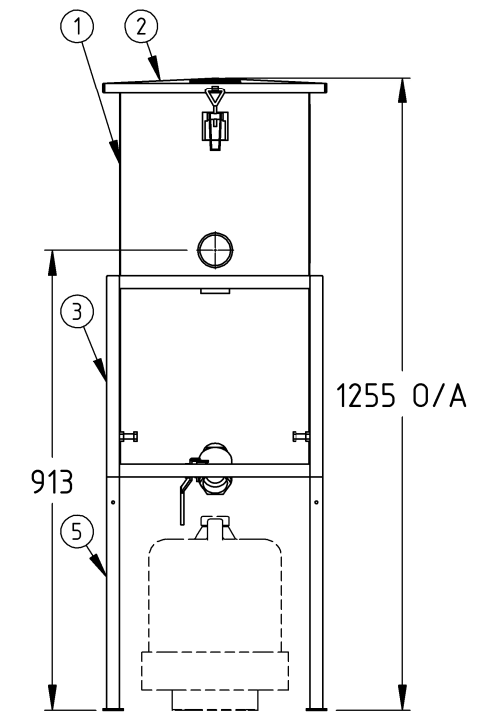
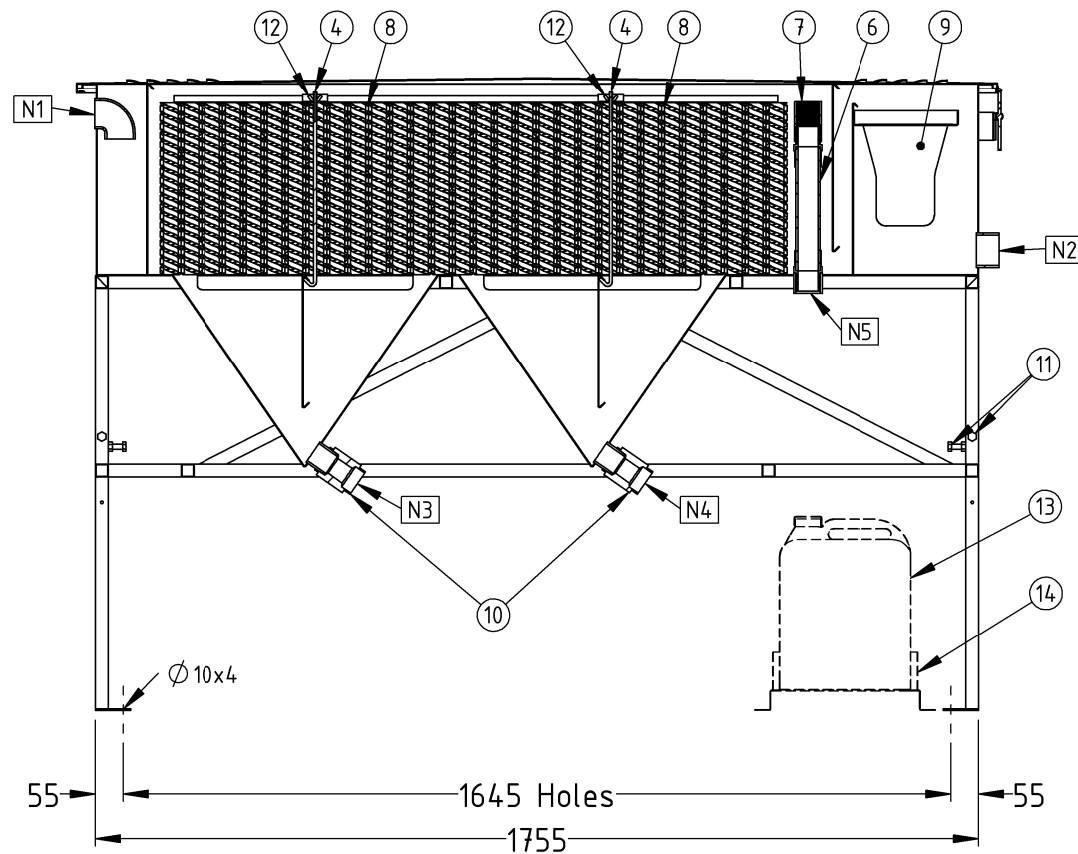
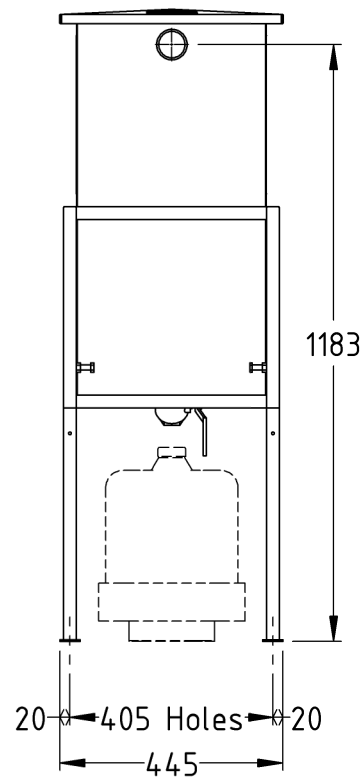
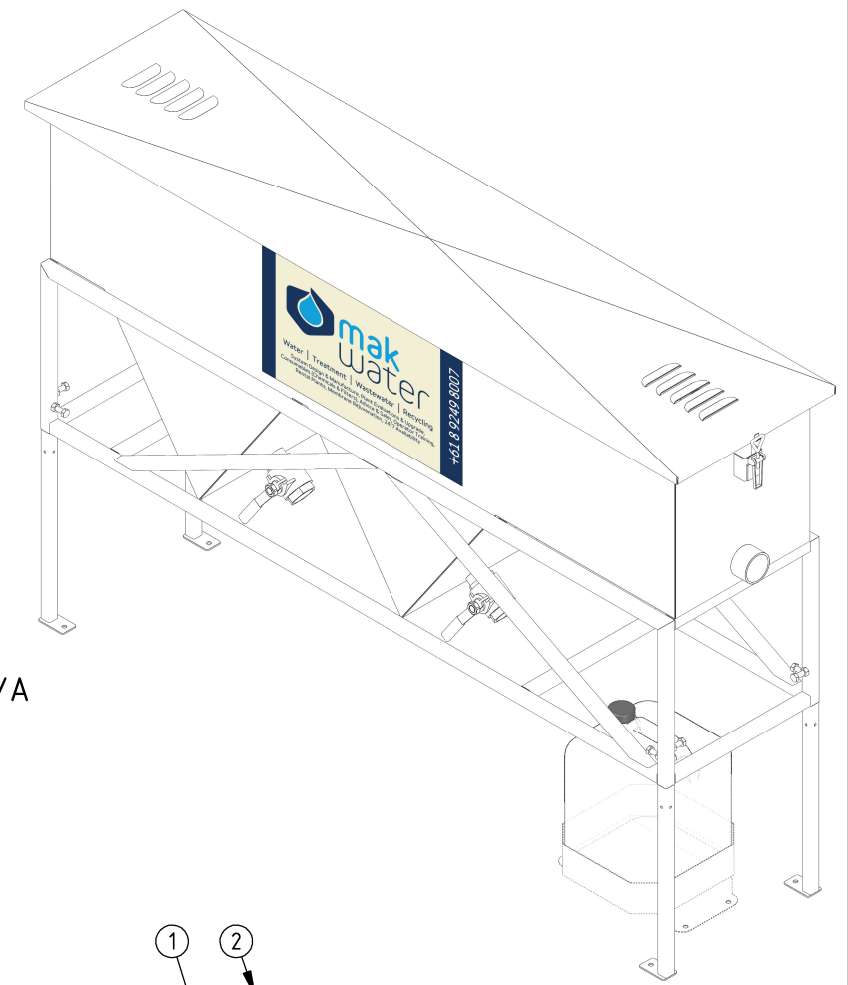
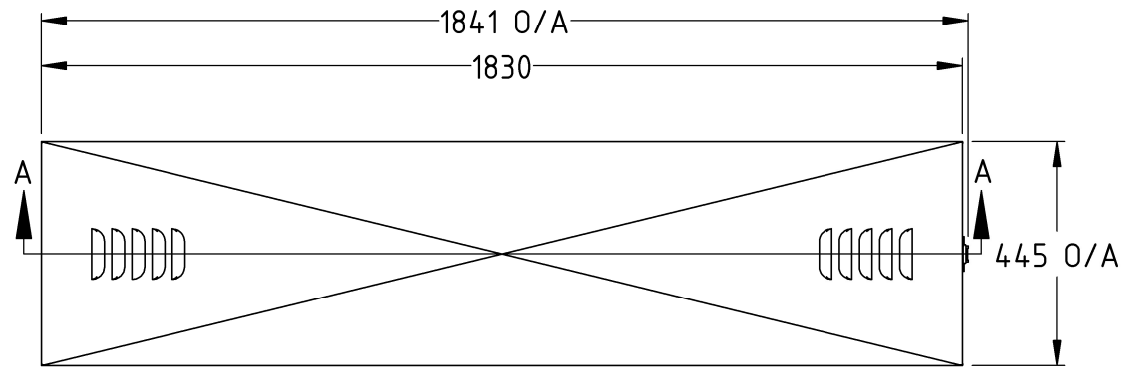


Item No.	Description	Qty.	MAK Part No.	MAK Dwg No.
1	CL3.0 Oil Water Separator Vessel SS304	1	Z3100208	MAKOWS-030-VM-001
2	Vessel Lid	1	Z3100209	MAKOWS-030-VM-002
3	Vessel Stand	1	Z3100210	MAKOWS-030-VM-003
4	Tube Pack Hold-down Set	1	Z3100211	MAKOWS-030-VM-004
5	Stand Leg	4	Z3100212	MAKOWS-STD-VM-001
6	Skimmer Pipe	1	Z3100213	MAKOWS-STD-VM-002
7	DN40 PVC Coupling	1	FP-ADMI-40MM	-
8	Tube Pack	2	SP-BLCK-CL	-
9	Bag Filter	2	FI-P200	-
10	DN40 Gate Valve	2	V5000101	-
11	M10 Bolt 316SS	8	Z5100002	-
12	M6 Wing Nut 316SS	2	Z5100155	-
13	Oil Reservoir (Optional Line Item)	1	PK-BOTL-WOR20	-
14	Oil Reservoir Stand (Optional Line Item)	1	MF-STND-WOR	MAKOWS-STD-VM-003

Dry Mass: 130kg  
Operating Mass: 430kg

Nozzle Schedule		
Nozzle No.	Description	Connection Type
N1	Raw Water Supply	DN40 BSP(F) Connection
N2	Filtered Water Out	DN50 BSP(F) Connection
N3	Vessel Drain 1	DN40 BSP(F) Connection
N4	Vessel Drain 2	DN40 BSP(F) Connection
N5	Skimmed Oil Drain Out	DN40 BSP(F) Connection



Notes:

1. Install on level concrete surface on 20mm grout base.
2. Fix to concrete using M8 anchor bolts (supplied by others).
3. Connecting pipework from nozzles to be supplied by others.

Reference Drawing No.	Reference Drawing Title	Rev	Date	Description	Notes	DRN	CHK	APP
MAKOWS-STD-VM-003	Oil Reservoir Stand Fabrication Drawing							
MAKOWS-STD-VM-002	Skimmer Pipe Fabrication Drawing							
MAKOWS-STD-VM-001	Stand Leg Fabrication Drawing							
MAKOWS-030-VM-004	Tube Pack Hold-down Set Fabrication Drawing							
MAKOWS-030-VM-003	Vessel Stand Fabrication Drawing							
MAKOWS-030-VM-002	Vessel Lid Fabrication Drawing	1	7/08/2016	Issued for Construction	Specified overall dimensions (O/A)	RG	JM	PF
MAKOWS-030-VM-001	Vessel Body Fabrication Drawing	0	24/03/2016	Issued for Construction	-	RG	JM	PF



Standard Product: CL3.0 Oil Water Separator  
CL3.0 Oil Water Separator Assembly  
General Arrangement Drawing  
CM.CL3.0SSNP.304

All dimensions in mm Scale: 1:15  
Commercial in Confidence  
Paper Size: A3

Sheet 1 of 1

Client Document No.:

MAK Document No.:

MAKOWS-030-VA-001

Rev: 1