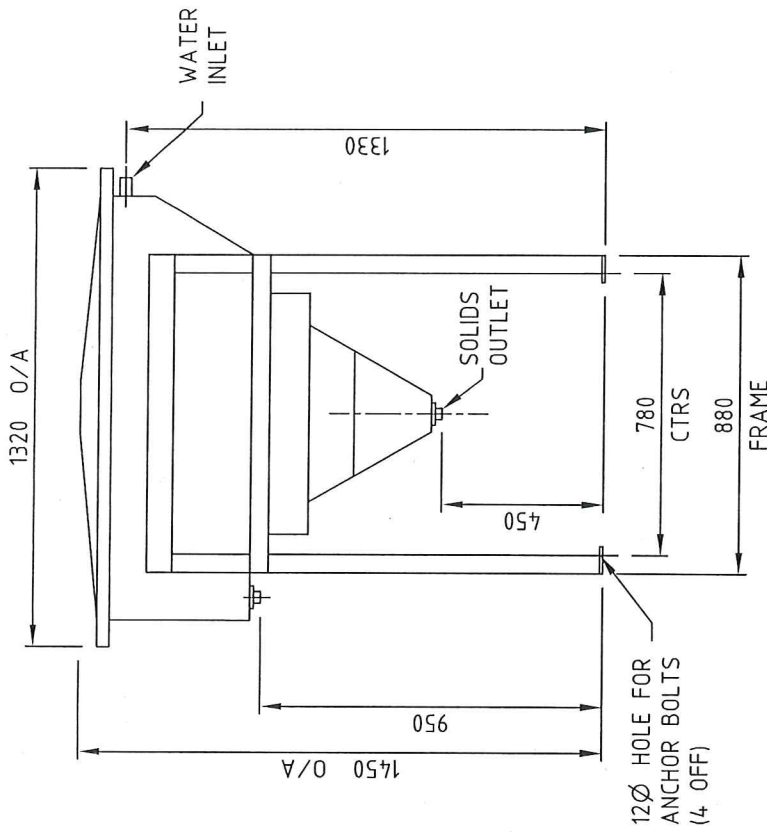
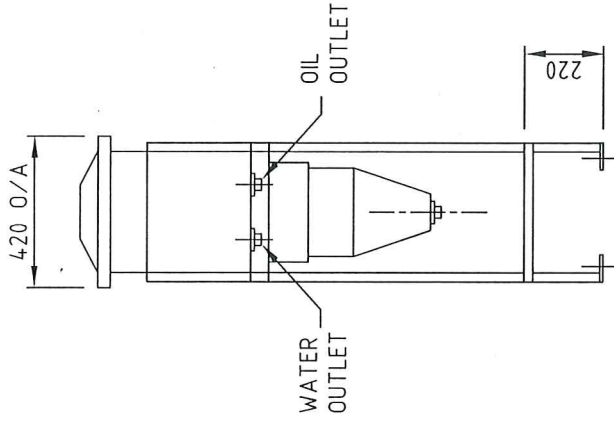


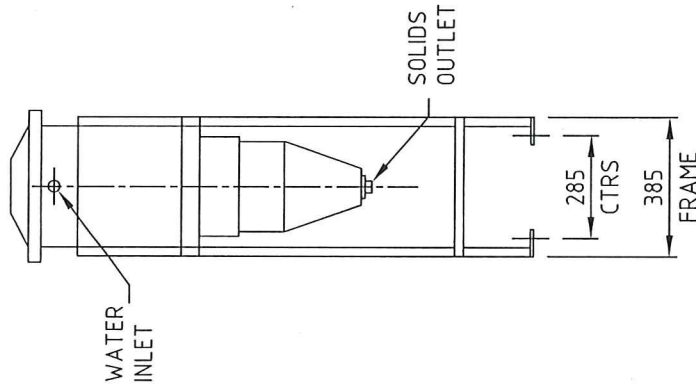
# MP - SEPARATORS



FRONT VIEW



OUTLET END VIEW



INLET END VIEW

UNAUTHORISED USE, REPRODUCTION OR MANUFACTURE IN WHOLE OR IN PART IS PROHIBITED. DRAWING DESIGN AND OTHER DISCLOSURES ARE THE PROPERTY OF BALDWIN INDUSTRIAL SYSTEMS PTY.LTD.

**BALDWIN INDUSTRIAL SYSTEMS PTY LTD**  
 13 RANTON ST CARDIFF NSW 2285  
 PHONE (02) 4954 0440 FAX (02) 4954 2440 ABN 30 002 218 457

|                                             |                       |                                                                                                                                         |                                       |
|---------------------------------------------|-----------------------|-----------------------------------------------------------------------------------------------------------------------------------------|---------------------------------------|
| CUSTOMER/PROJECT:<br><b>MP - SEPARATORS</b> |                       | ALL CONNECTIONS ARE 32mm BSPM<br>SHIPPING WEIGHT = 50 Kg<br>OPERATING WEIGHT = 220 Kg<br>WATER VOLUME = 170 Litres<br>FRAME = 50x25 RHS |                                       |
| SCALE:<br>APPROX 1:20                       | DATE:<br>1 APRIL 2005 | SHT SIZE:<br>A4                                                                                                                         | DRAWING NO:<br><b>MP - SEPARATORS</b> |
|                                             |                       |                                                                                                                                         | REV:<br><b>2</b>                      |



**BALDWIN**