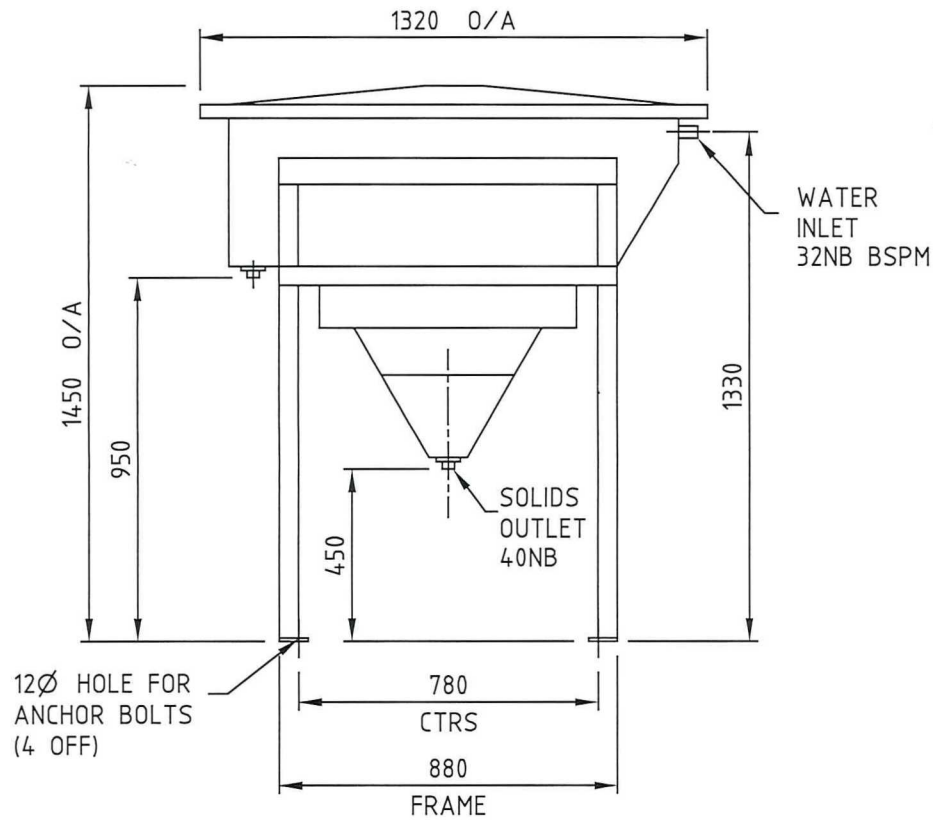
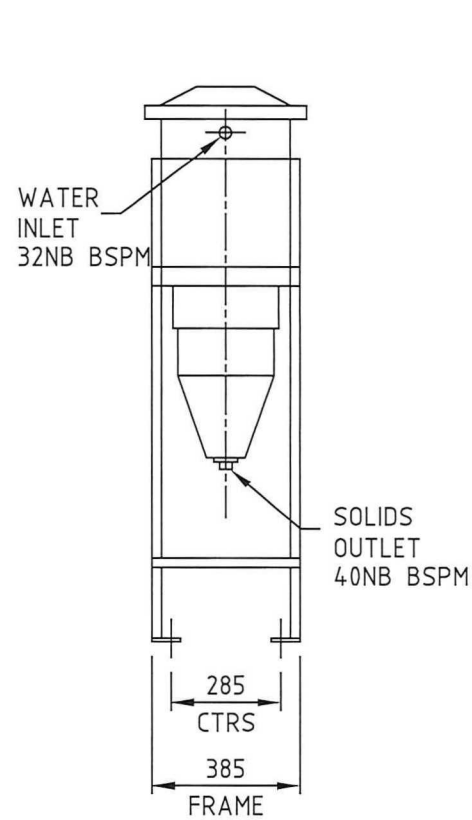


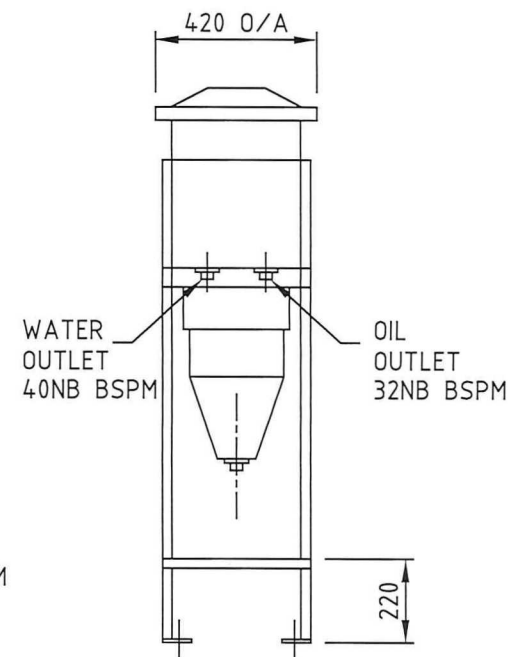
MP - SEPARATORS



FRONT VIEW



INLET END VIEW



OUTLET END VIEW



BALDWIN

UNAUTHORISED USE, REPRODUCTION OR MANUFACTURE IN WHOLE OR IN PART IS PROHIBITED. DRAWING DESIGN AND OTHER DISCLOSURES ARE THE PROPERTY OF BALDWIN INDUSTRIAL SYSTEMS PTY.LTD.

BALDWIN INDUSTRIAL SYSTEMS PTY LTD

13 RANTON ST CARDIFF NSW 2285
PHONE (02) 4954 0440 FAX (02) 4954 2440 ABN 30 002 218 457

CUSTOMER/PROJECT:

MP - SEPARATORS

SHIPPING WEIGHT = 50 Kg
OPERATING WEIGHT = 220 Kg
WATER VOLUME = 170 Litres
FRAME = 50x25 RHS

SCALE:

APPROX 1:20

DATE:

JULY 2017

SHT SIZE:

A4

DRAWING NO:

MP - SEPARATORS

REV:

3

