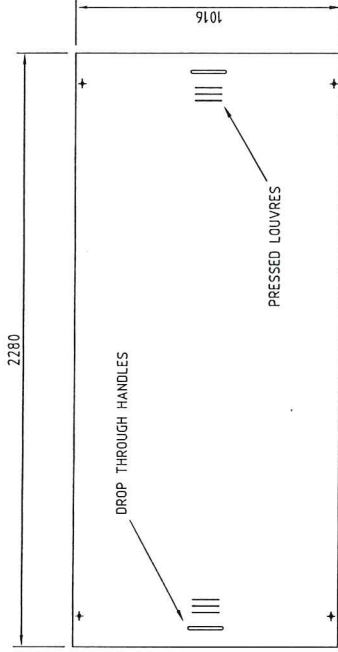


PLAN VIEW



LOOSE FITTING LID

NOTES

- 1 UNLESS OTHERWISE STATED, ALL DIMENSIONS ARE INTERNAL (mm)
- 2 ALL WELDS, CONNECTIONS & JOINTS TO BE FULLY WELDED (WATER TIGHT)
- 3 TANK & WEBS TO BE FABRICATED FROM 304L STAINLESS STEEL
- 4 METAL THICKNESS TO BE 3mm
- 5 ALL WELDS TO BE STAINLESS STEEL (304L)
- 6 ALL WELDS TO BE FULLY WELDED OVERLAP
- 7 THE LID IS 1.5mm THICK AND IS TO BE LOOSE FITTING (LOUVER VENTED)
- 8 THE TANK IS TO BE EXTERNALLY WELDED ONLY
- 9 ALL WELDS ARE TO BE FULL PENETRATION WELDS, EXCLUDING STITCH WELDS.
- 10 GENERAL TOLERANCES TO BE ±.3mm UNDO.
- 11 ALL TANKS TO BE SUBJECTED TO A STATIC HYDRAULIC TEST (24 HOURS)
- 12 WELDS TO BE PASSED INTERNALLY & EXTERNALLY
- 13 ALL WELDS TO BE FULLY WELDED OVERLAP
- 14 SOME ITEMS NOT SHOWN IN DIFFERENT VIEWS FOR CLARITY.

MATERIAL LIST

LID	1.5MM 304L GRADE STAINLESS STEEL
BODY	2MM 304L GRADE STAINLESS STEEL
LEGS	STAINLESS STEEL ANGLE 75 X 75 X 10
PIPE	ANSI B36.19 SCH80 3" NPT ASTM A106 TP 304
18 90° BW ELBOWS	ANSI B16.9 SCH80 3" NPT ASTM A106 TP 304

NOZZLE SCHEDULE

NOZZLE MARK No	No REQD	SERVICE	SIZE	RATING	REMARKS
N1	1	WATER INLET	65	TABLE E	FLANGED
N2	1	WATER OUTLET	65	TABLE E	FLANGED
N3	2	OIL OUTLETS	50	150LB	MALE BSP
N4	1	SOLIDS OUTLET	65	TABLE E	FLANGED

DRAWN	S. DESER	CHD	S. DESER	APPRV	DATE

UNAPPROVED USE, REPRODUCTION OR MANUFACTURE IN WHOLE OR IN PART WITHOUT THE WRITTEN PERMISSION OF BALDWIN INDUSTRIAL SYSTEMS PTY LTD.

**BALDWIN INDUSTRIAL SYSTEMS PTY LTD**  
 10 BALDWIN CT, CLAYTON VIC 3168 AUSTRALIA  
 PHONE: 03 9555 4444 FAX: 03 9555 4444 E-MAIL: SALES@BIS.COM.AU

CLIENT: BALDWIN INDUSTRIAL SYSTEMS  
 PROJECT: COALESCING PLATE SEPARATOR STANDARD ASSEMBLY

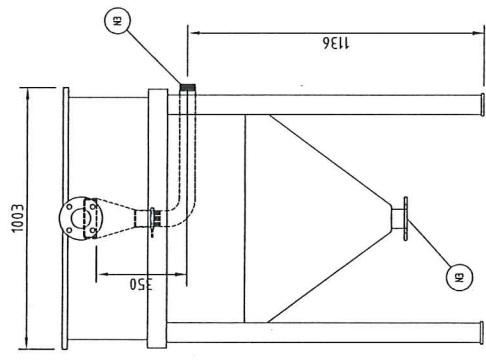
TITLE: MODEL BSV-96-9  
 GENERAL ARRANGEMENT FOR INFORMATION

CAD DRAWING - DO NOT REVISE BY HAND

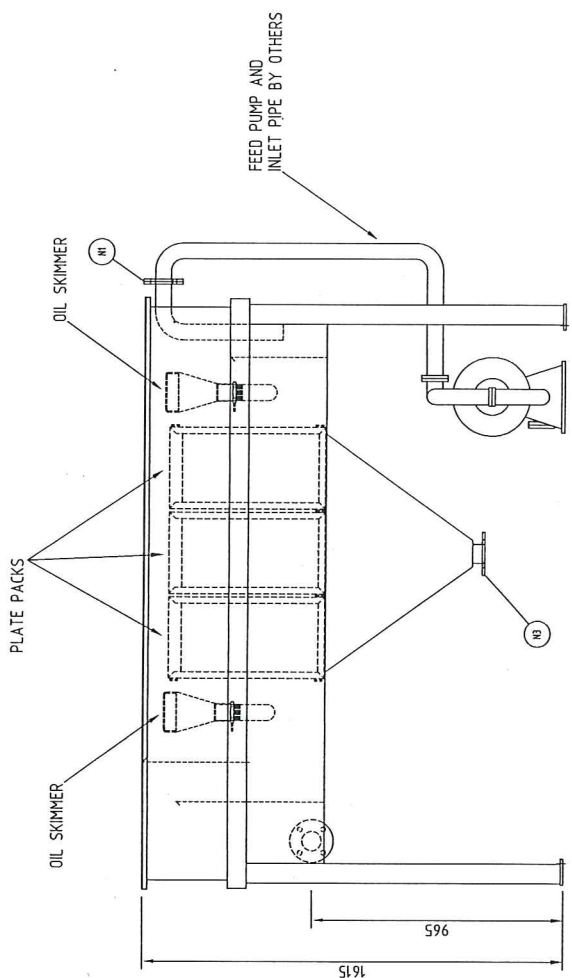
ISSUED FOR INFORMATION

NO.	DATE	REVISION DESCRIPTION
0		

SCALE	JOB No	STOCK	DRAWING No	SHEET OF 1	REV
			BSV-96-9-02		A



END VIEW



SIDE VIEW

