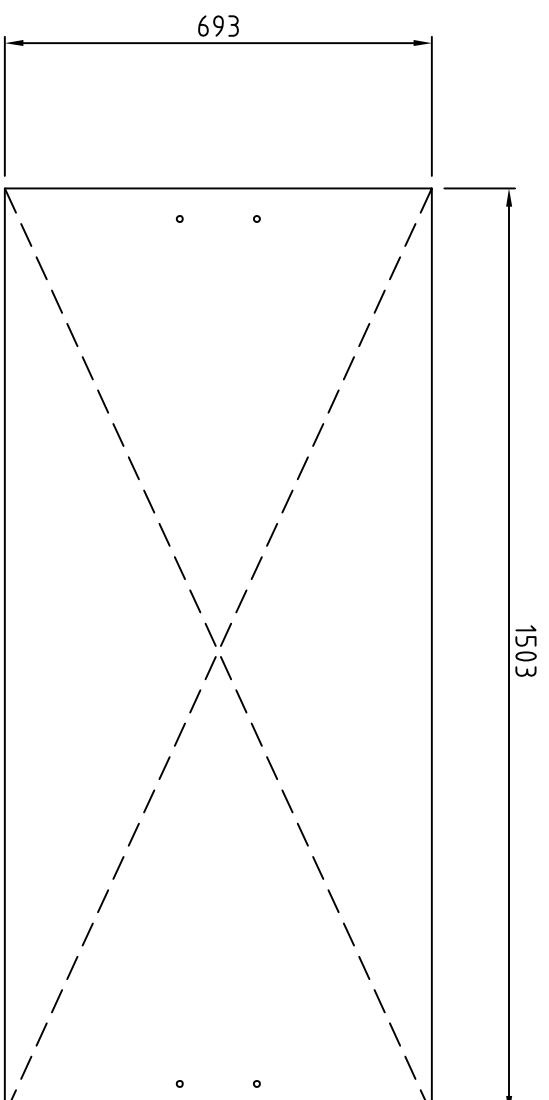
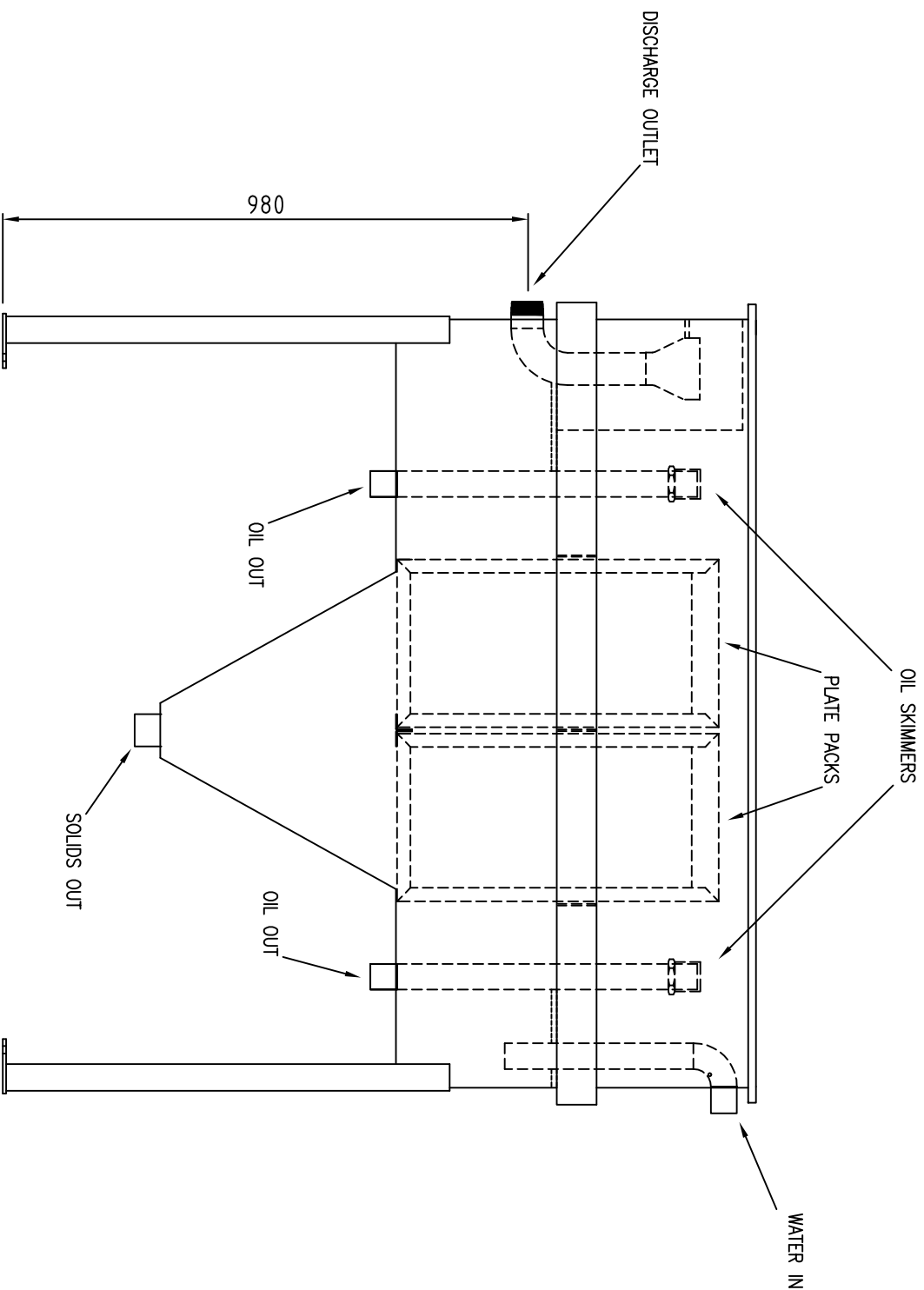
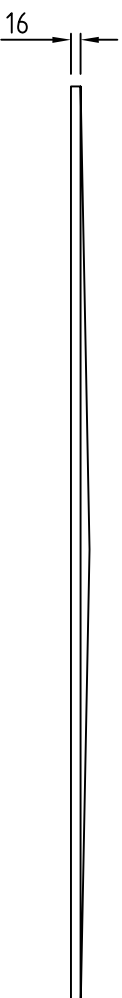


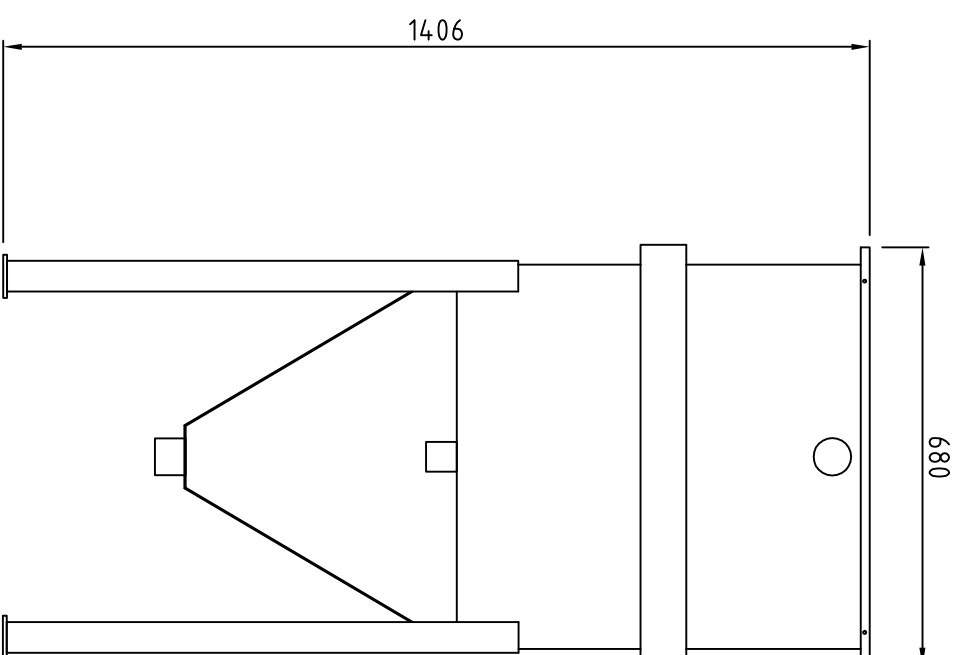
PLAN VIEW LID REMOVED AND PLATE PACKS NOT SHOWN



LOOSE FITTING LID



SIDE VIEW



END VIEW INLET END

NOTES

- 1 UNLESS OTHERWISE STATED, ALL DIMENSIONS ARE INTERNAL (mm)
- 2 ALL WELDS, CONNECTIONS & JOINS TO BE FULLY WELDED (WATERTIGHT)
- 3 TANK & WEIRS TO BE FABRICATED FROM 304 STAINLESS STEEL
- 4 METAL THICKNESS TO BE 2mm U.N.O.
- 5 ALL FITTINGS TO BE 304 STAINLESS STEEL U.N.O.
- 6 ALL WELDS 2mm CE UNLESS NOTED OTHERWISE
- 7 THE TANK IS TO BE EXTERNALLY WELDED ONLY
- 8 ALL WELDS ARE TO BE FULL PENETRATION WELDS
- 9 GENERAL TOLERANCES TO BE ± 3mm U.N.O.
- 10 ALL TANKS TO BE PASSED TO A STATIC HYDRAULIC TEST (2 HOURS)
- 11 ALL WELDS TO BE PASSED INTERNALLY & EXTERNALLY
- 12 10MM ROUND BAR STIFFENERS TO BE USED ON ALL LONG PIPES.

MATERIAL LIST

LID	1.5mm THICK 304 SS SHEET
BODY	2mm THICK 304 SS SHEET
OIL DAM	1.5mm THICK 304 SS SHEET
LEGS	50 X 50 X 6 ANGLE
PIPE	ANSI B36.19 SCH40 MATL. ASTM A312 TP 304
LR 90° BW ELBOWS	ANSI B16.9 SCH40 MATL. ASTM A312 TP 304

NOZZLE SCHEDULE

NOZZLE MARK NO	NO RECD	SERVICE	SIZE	RATING	REMARKS
N1	1	WATER INLET	40	NIPPLE	
N2	1	WATER OUTLET	50	NIPPLE	
N3	2	OIL OUTLET	40	NIPPLE	
N4	1	SOLIDS OUTLET	50	NIPPLE	

DRWN	S. SHEMAN	CHKD	S. SHEMAN	APRV	DATE	APRV	DATE
10/06/20		10/06/20					

UNAUTHORISED USE, REPRODUCTION OR MANUFACTURE IN WHOLE OR IN PART IS PROHIBITED. DRAWING DESIGN AND OTHER DISCLOSED ARE THE PROPERTY OF BALDWIN INDUSTRIAL SYSTEMS PTY.LTD.



BALDWIN INDUSTRIAL SYSTEMS PTY LTD
 53 RANTON ST. CAROLINE NSW 2285 AUSTRALIA
 PHONE (02) 4954 8144 FAX (02) 4954 2440 AWH 30 002 208 457

CLIENT: BALDWIN INDUSTRIAL SYSTEMS
 PROJECT: STANDARD STAINLESS STEEL BBSV CPS

TITLE: BBSV
 CPS GENERAL ARRANGEMENT
 SCALE: 10.06.20
 JOB NO: BBSV-03
 DRAWING NO: SHEET STOCK
 STOCK: BBSV-03
 REV: 0

NO.	DATE	REVISION DESCRIPTION	DRWN	CHKD	APRV
0	10.06.20	ISSUED FOR INFORMATION	KESSEL	SHEMAN	
			10/06/20	10/06/20	