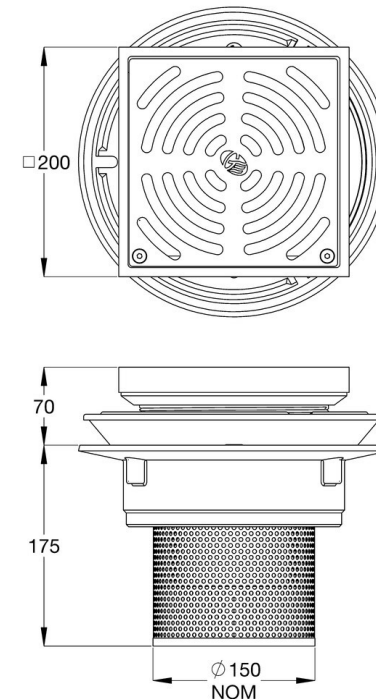


# Bucket Floor Trap Combo - DI 150PVC with Stainless Steel Square Grate 200 & Stainless Steel Dual Strainer

Product Code: DEB6D08SX



Cast stainless steel square floor drain assembly, threaded BSP, with stainless steel lock down Allen key screws, machined/finished surface, load rated to Class C, with grey enamel coated ductile iron multi-purpose body with reversible membrane collar with weep holes, stainless steel lock down screws, stainless steel adjustable removable strainer basket and secondary stainless steel fixed strainer basket.

## Features

- Complies with AS/NZS 4994:1998 Discharge of commercial and industrial waste water to sewer.
- Complies with AS 3996 Class C and EN1253 M125 load rating.
- Cast iron as per BS1452/Grade 180 and AS1830/T80 Stainless steel.
- Ideal for commercial kitchens, food preparation areas, shopping centres and health care facilities.



## Environmental Sustainability

We are ISO 14001 certified and take sustainability seriously. Our products are environmentally responsible designed to be healthier for users, save water and/or energy, and minimise carbon footprint. Our target is to reduce our carbon footprint by 25%, and the use of non-recyclable/non-compostable materials across the company (e.g. plastics) by 50%.

## Warranty

Galvin Engineering products are covered under our Manufacturer's Warranty. Galvin Engineering products must be installed in accordance with the installation instructions and in accordance with AS 3500 and NCC Volume Three, relevant Australian Standards and local authorities applicable to product being installed. Water and electrical supply conditions must also comply to the applicable national and/or state standards, failing to comply with these provisions may void the product warranty and affect performance of the product.

Please visit [www.galvinengineering.com.au](http://www.galvinengineering.com.au) to view the full warranty, our Maintenance & Cleaning information and any other additional information.

While all reasonable care has been taken in compiling the information in this document, the designs, dimensions and products shown are indicative only and should not be relied upon without our prior approval. Due to our policy of continuous development, we reserve the right to alter any details of specifications or products without notice. All information, drawings, technical specifications and product designs remain the property of Galvin Engineering Pty Ltd.

Within Australia: **1300 514 074**  
Outside Australia: P: +61 (0)8 9338 2344  
sales@galvinengineering.com.au  
www.galvinengineering.com.au



**A family  
owned  
Australian  
business**

