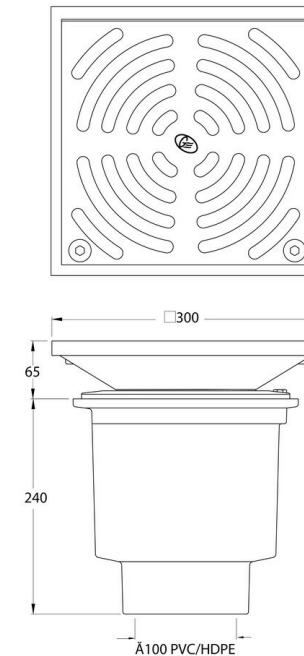


Bucket Floor Trap Combo - CI 100PVC Deep Body & Stainless Steel SQ Grate 300 & Stainless Steel Dual Strainer

Product Code: DB4D12SX



Cast stainless steel square floor drain assembly, threaded BSP with stainless steel lock down allen key screws, machined/finished surface, stainless steel hinge pins, load rated to Class C with grey enamel coated cast iron vertical deep body with reversible membrane collar, weep holes stainless steel lock down bolts and 304 stainless steel primary strainer basket and secondary 304 stainless steel disc strainer.

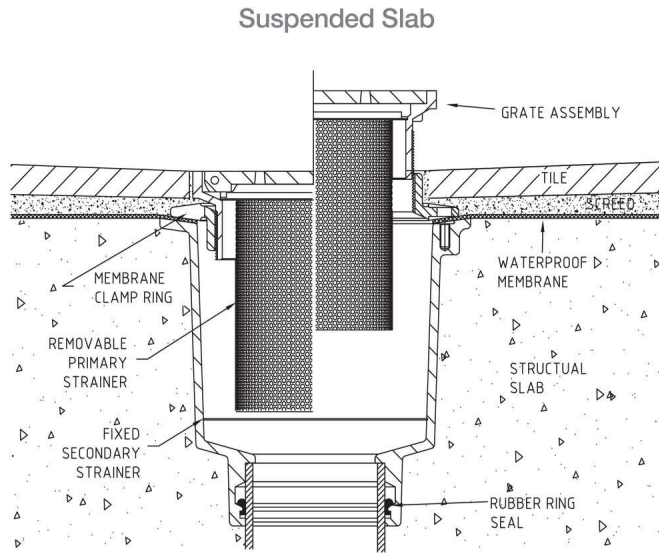
Features

- The first floor drain arrestor to meet WSAA product specification requirements WSA PS 841 - Floor waste arrestor
- Complies with AS/NZS 4994:1998 Discharge of commercial and industrial waste water to sewer
- Stainless steel grate and dual strainer
- Cast Iron as per BS 1452/Grade 180 and AS 1830/180
- Complies with AS 3996 Class C and EN1253 Class C load rating
- Ideal for commercial kitchens, food preparation areas, shopping centres and health care facilities

Flow Rate Guide (litre/second)

| Grate Size | Pressure Head mm of Water | | |
|------------|---------------------------|------|------|
| | 20mm | 30mm | 40mm |
| 300 | 4.7 | 9.1 | 13.9 |

Typical Installation



Environmental Sustainability

We are ISO 14001 certified and take sustainability seriously. Our products are environmentally responsible designed to be healthier for users, save water and/or energy, and minimise carbon footprint. Our target is to reduce our carbon footprint by 25%, and the use of non-recyclable/non-compostable materials across the company (e.g. plastics) by 50%.

Warranty

Galvin Engineering products are covered under our Manufacturer's Warranty. Galvin Engineering products must be installed in accordance with the installation instructions and in accordance with AS 3500 and NCC Volume Three, relevant Australian Standards and local authorities applicable to product being installed. Water and electrical supply conditions must also comply to the applicable national and/or state standards, failing to comply with these provisions may void the product warranty and affect performance of the product.

Please visit www.galvinengineering.com.au to view the full warranty, our Maintenance & Cleaning information and any other additional information.

While all reasonable care has been taken in compiling the information in this document, the designs, dimensions and products shown are indicative only and should not be relied upon without our prior approval. Due to our policy of continuous development, we reserve the right to alter any details of specifications or products without notice. All information, drawings, technical specifications and product designs remain the property of Galvin Engineering Pty Ltd.

Within Australia: **1300 514 074**

Outside Australia: P: +61 (0)8 9338 2344

sales@galvinengineering.com.au

www.galvinengineering.com.au



**A family
owned
Australian
business**

