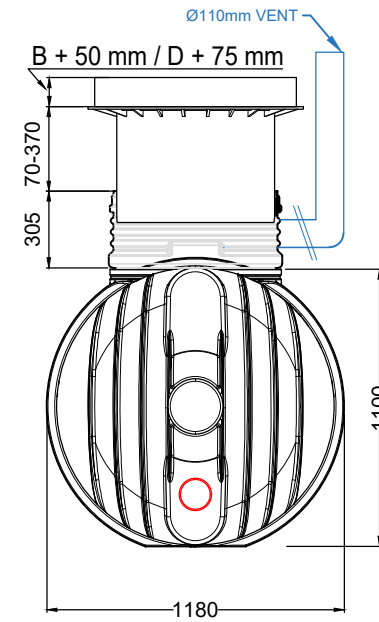
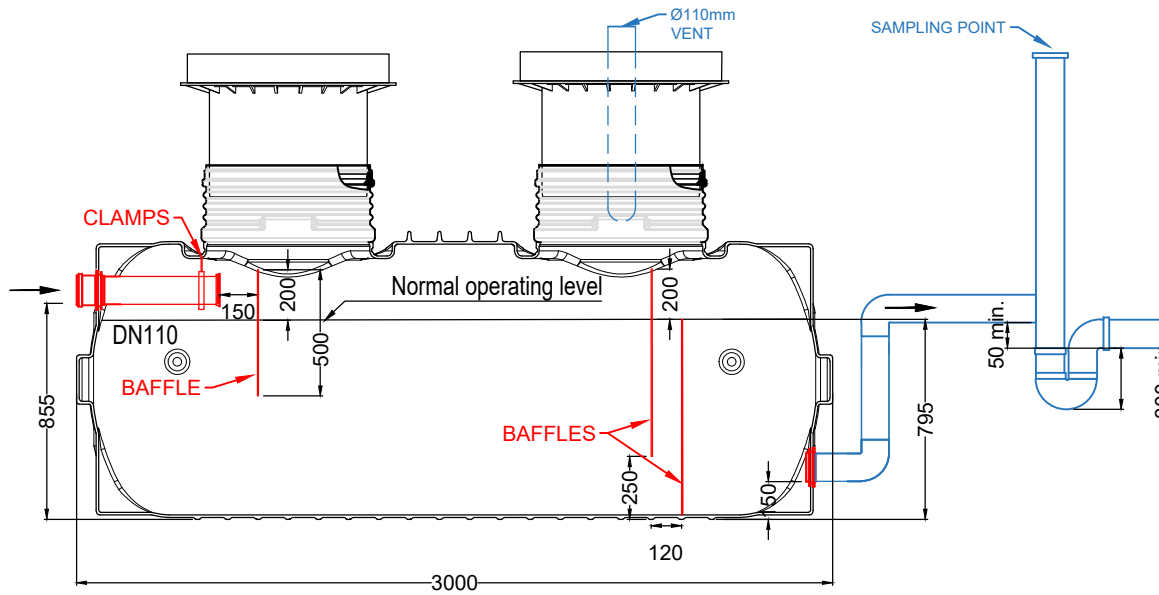
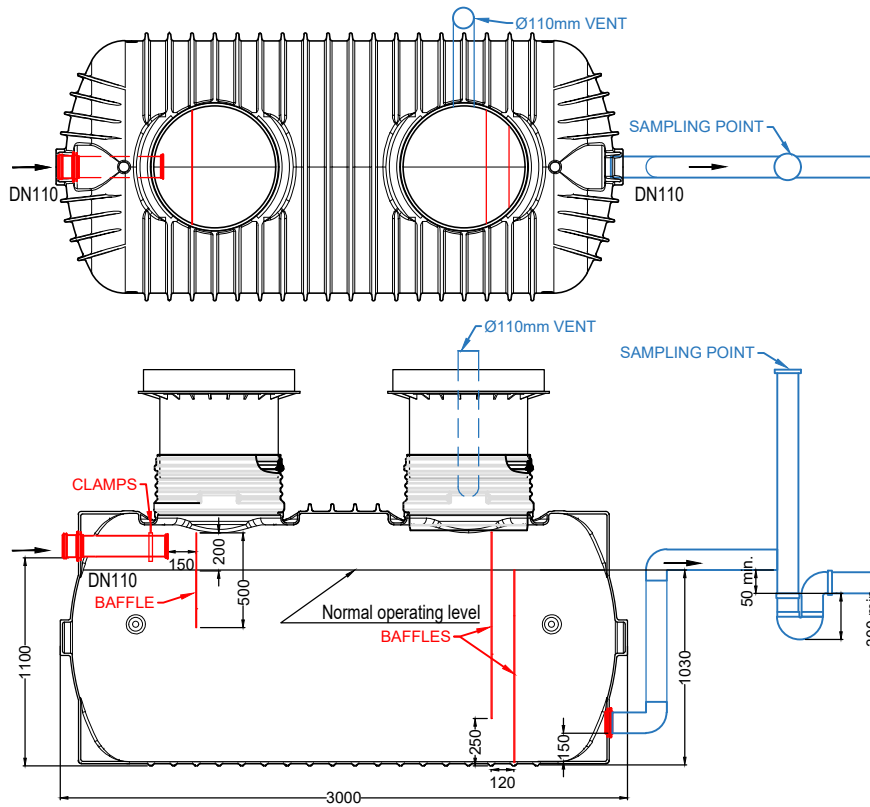


NOTE:
 EXTRUSION WELDED PE BAFFLE
 • RED ITEMS ARE PROVIDED
 • BLUE ITEMS ARE EXCLUDED

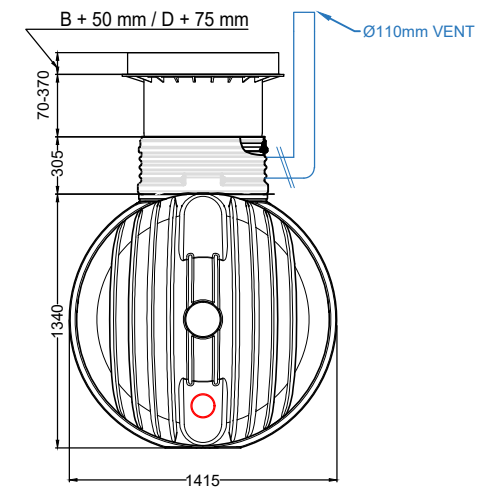



article GRAF Australia General Purpose Pit SC 2000			article no. 31.0404	
drawn ISC	weight 190 kg	comments sampling point requirements to be confirmed by relevant authority of jurisdiction		
date 2024.05.08	tolerance +/- 3%	scale 1:30	units mm	GRAF Australia Pty Ltd 43b Sparks Road, Henderson WA 6166 info@grafaustalia.com.au www.grafaustalia.com.au

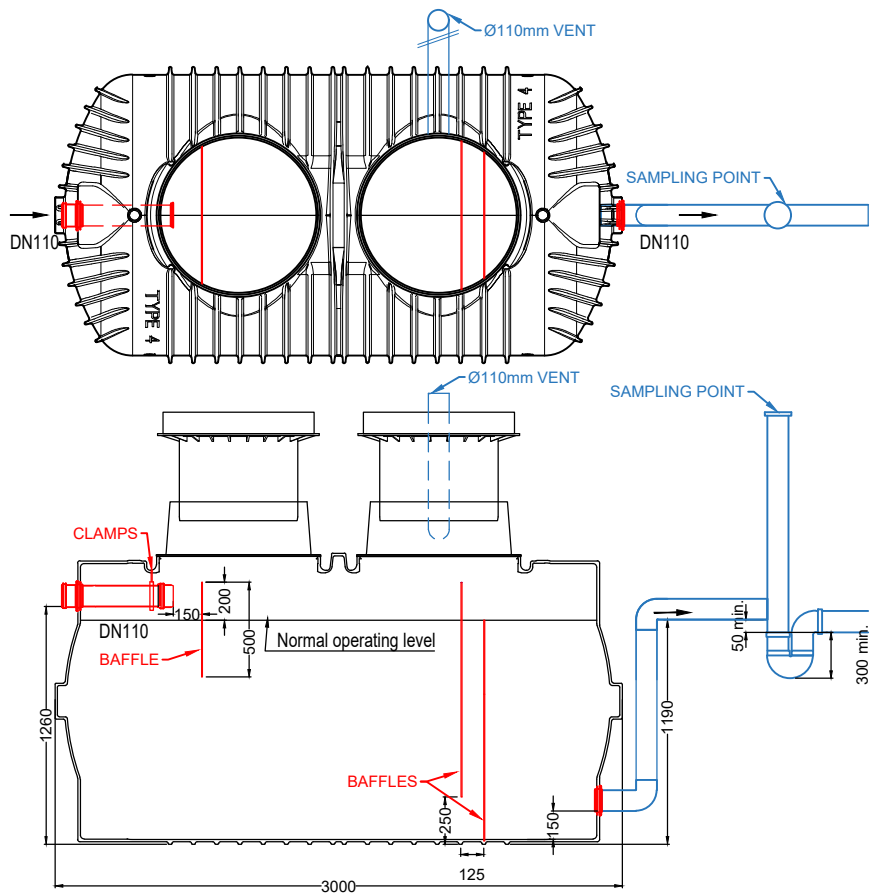




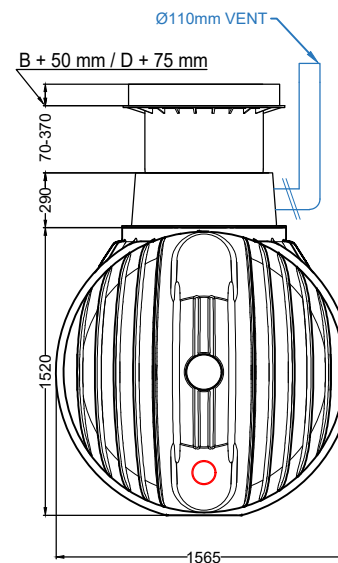
NOTE:
 EXTRUSION WELDED PE BAFFLE
 • RED ITEMS ARE PROVIDED
 • BLUE ITEMS ARE EXCLUDED




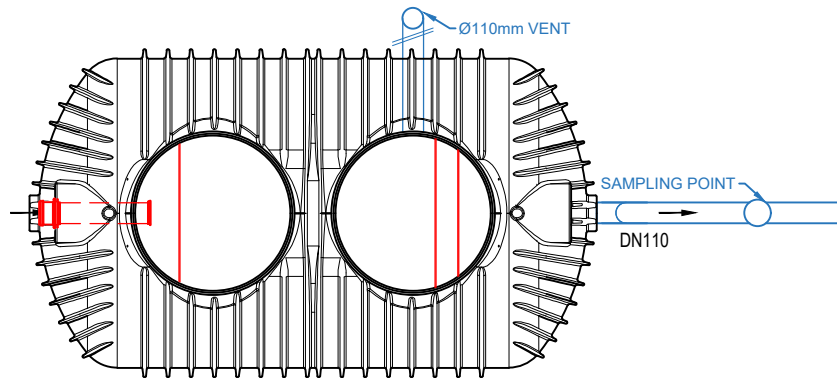
article			GRAF Australia General Purpose Pit SC 3000		article no.		31.0405	
drawn	ISC	weight	235 kg	comments		GRAF Australia Pty Ltd 43b Sparks Road, Henderson WA 6166 info@grafaustralia.com.au www.grafaustralia.com.au		
date	2024.05.08	tolerance	+/- 3%	scale	1:40	units	mm	
								



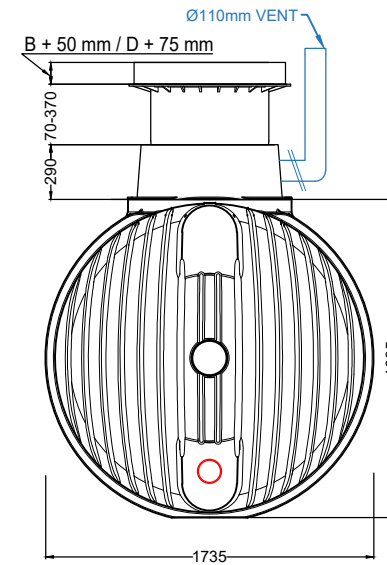
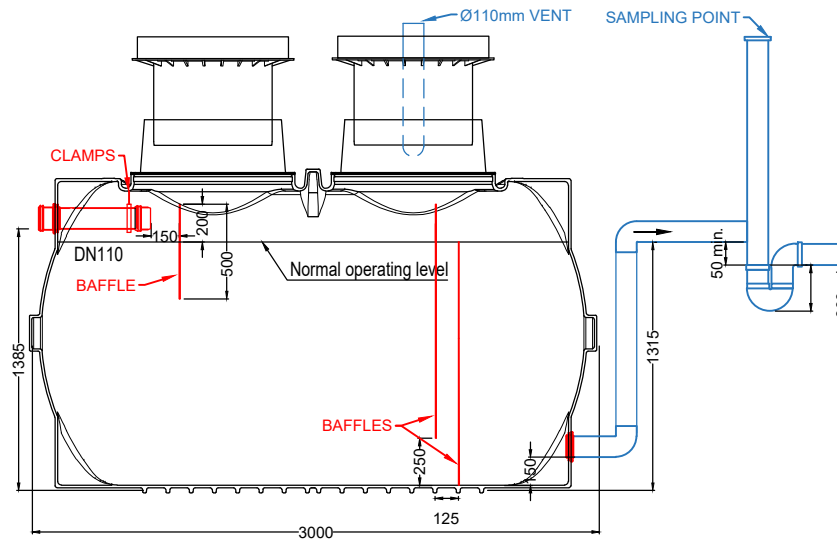
NOTE:
 EXTRUSION WELDED PE BAFFLE
 • RED ITEMS ARE PROVIDED
 • BLUE ITEMS ARE EXCLUDED



article			GRAF Australia General Purpose Pit SC 4000		article no.		31.0406	
drawn	ISC	weight	285 kg	comments		GRAF Australia Pty Ltd 43b Sparks Road, Henderson WA 6166 info@grafaustalia.com.au www.grafaustalia.com.au		
date	2024.05.08	tolerance	+/- 3%	scale	1:40	units	mm	
								

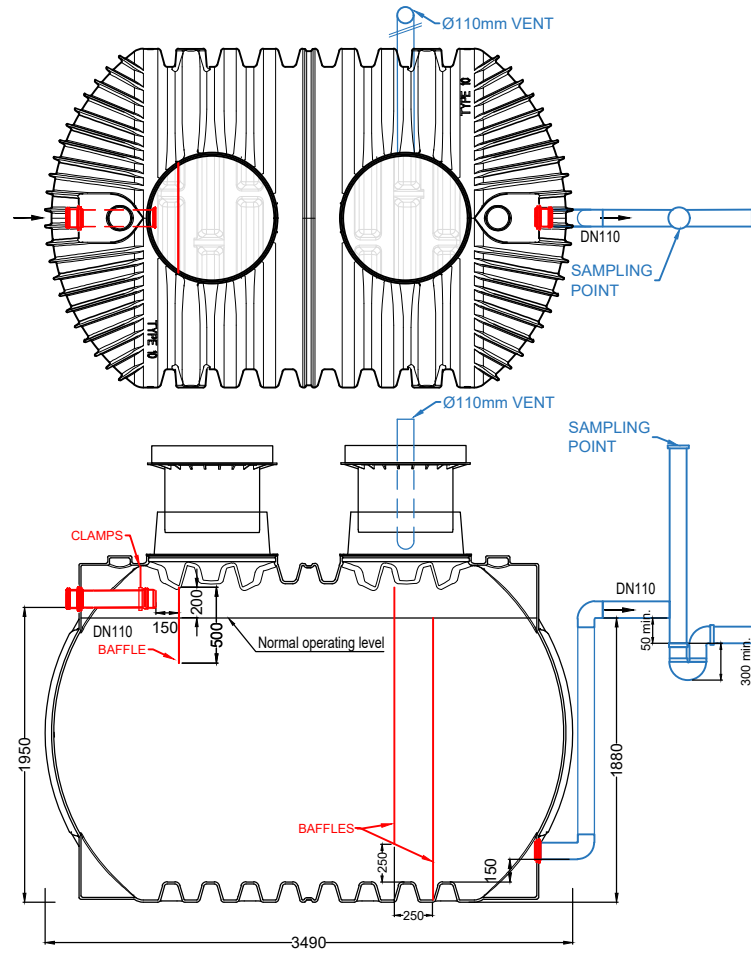


NOTE:
 EXTRUSION WELDED PE BAFFLE
 • RED ITEMS ARE PROVIDED
 • BLUE ITEMS ARE EXCLUDED

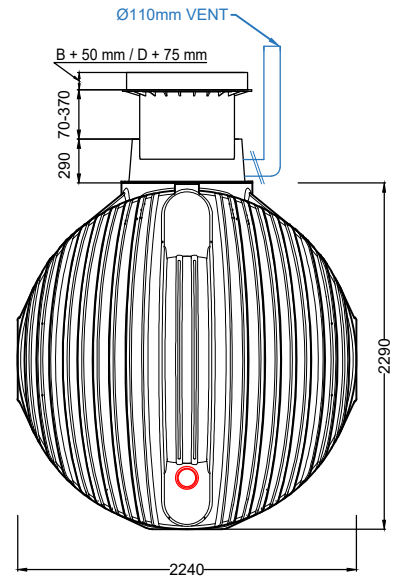


article		GRAF Australia General Purpose Pit SC 5000		article no.		31.0407	
drawn	ISC	weight	355 kg	comments sampling point requirements to be confirmed by relevant authority of jurisdiction			
date	2024.05.08	tolerance	+/- 3%	scale	1:40	units	mm
						GRAF Australia Pty Ltd 43b Sparks Road, Henderson WA 6166 info@grafaustalia.com.au www.grafaustalia.com.au	





NOTE:
 EXTRUSION WELDED PE BAFFLE
 • RED ITEMS ARE PROVIDED
 • BLUE ITEMS ARE EXCLUDED



article GRAF Australia General Purpose Pit SC 10000			article no. 31.0409	
drawn ISC	weight 495 kg	comments sampling point requirements to be confirmed by relevant authority of jurisdiction		
date 2024.05.08	tolerance +/- 3%	scale 1:50	units mm	GRAF Australia Pty Ltd 43b Sparks Road, Henderson WA 6166 info@grafaustalia.com.au www.grafaustalia.com.au

