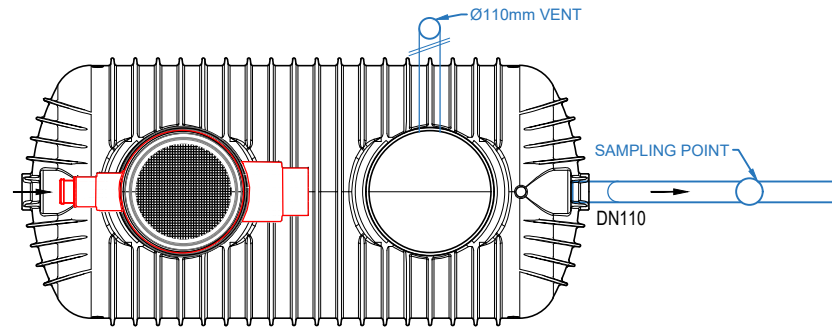
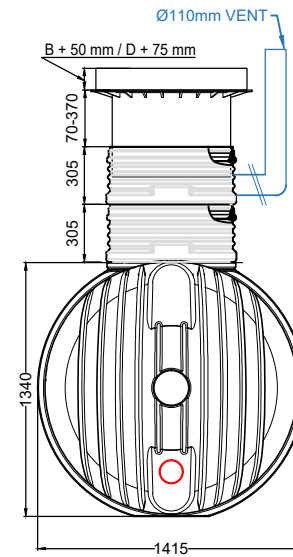
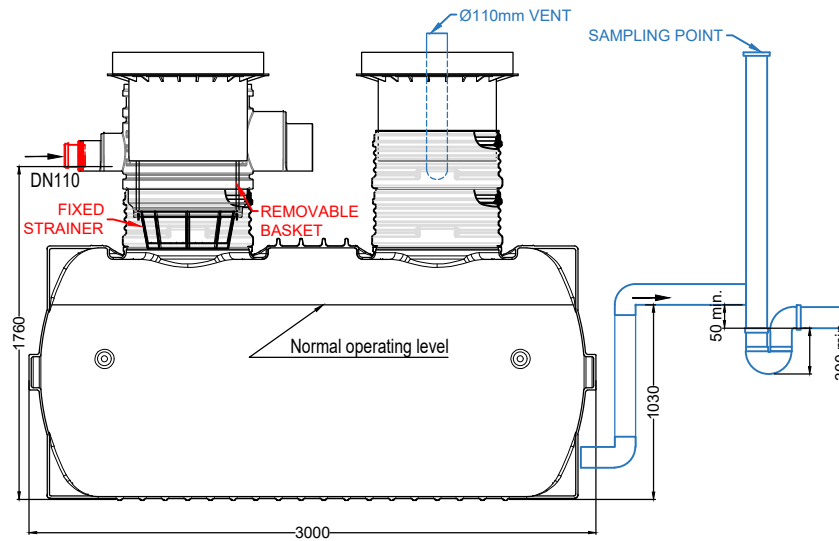


article			GRAF Australia Lint Arrestor SC 2000		article no.		31.0504	
drawn	ISC	weight	190 kg	comments		GRAF Australia Pty Ltd 43b Sparks Road, Henderson WA 6166 info@grafaustalia.com.au www.grafaustalia.com.au		
				sampling point requirements to be confirmed by relevant authority of jurisdiction				
date	2024.05.08	tolerance	+/- 3%	scale	1:30	units	mm	



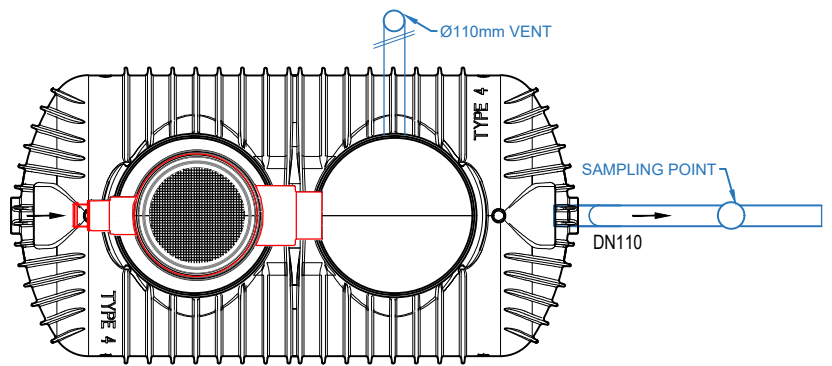


NOTE:
 • RED ITEMS ARE PROVIDED
 • BLUE ITEMS ARE EXCLUDED

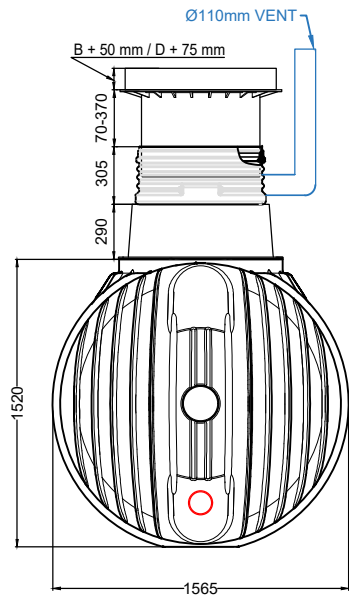
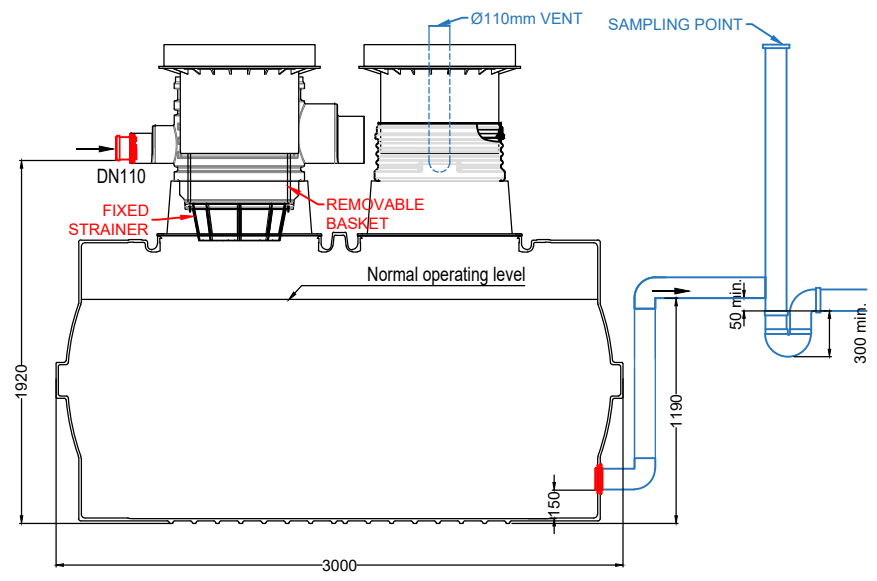


article			GRAF Australia Lint Arrestor SC 3000		article no.		31.0505		
drawn	ISC	weight	235 kg	comments		GRAF Australia Pty Ltd 43b Sparks Road, Henderson WA 6166 info@grafaustalia.com.au www.grafaustalia.com.au			
date	2024.05.08	tolerance	+/- 3%	sampling point requirements to be confirmed by relevant authority of jurisdiction					scale



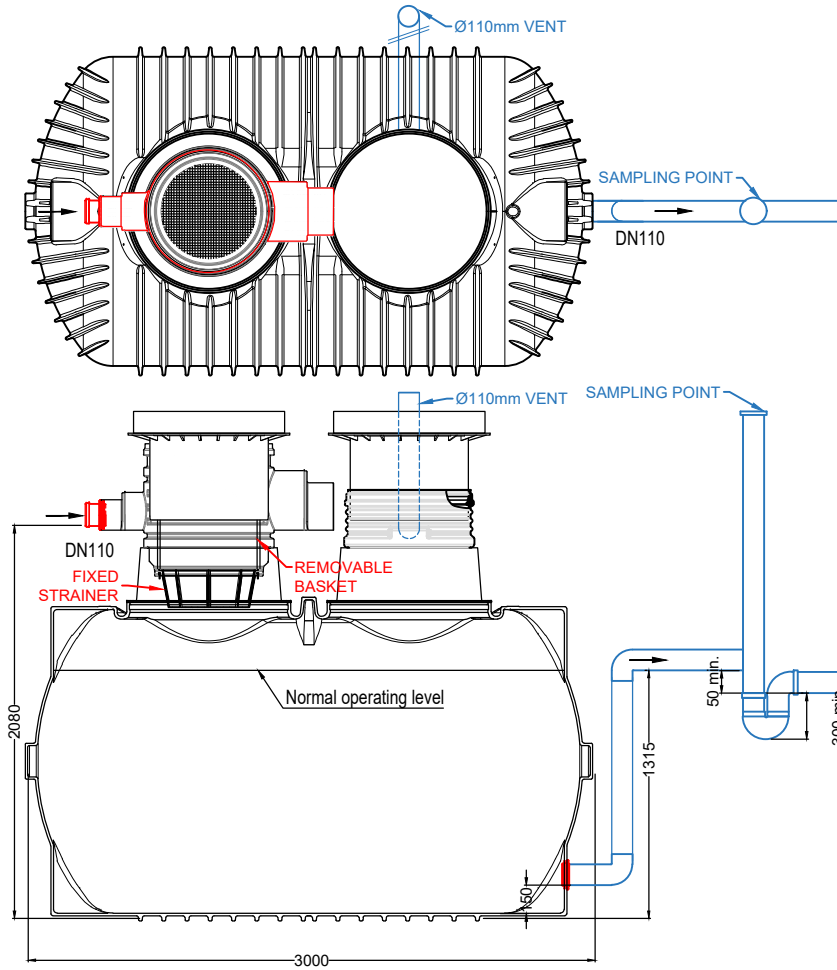


NOTE:
 • RED ITEMS ARE PROVIDED
 • BLUE ITEMS ARE EXCLUDED

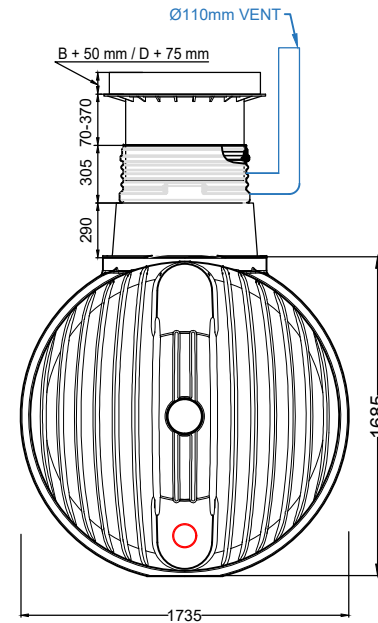



article			GRAF Australia Lint Arrestor SC 4000		article no.		31.0506	
drawn	ISC	weight	285 kg	comments		GRAF Australia Pty Ltd		
				sampling point requirements to be confirmed by relevant authority of jurisdiction		43b Sparks Road, Henderson WA 6166		
date	2024.05.08	tolerance	+/- 3%	scale	1:40	units	mm	info@grafaustalia.com.au www.grafaustalia.com.au

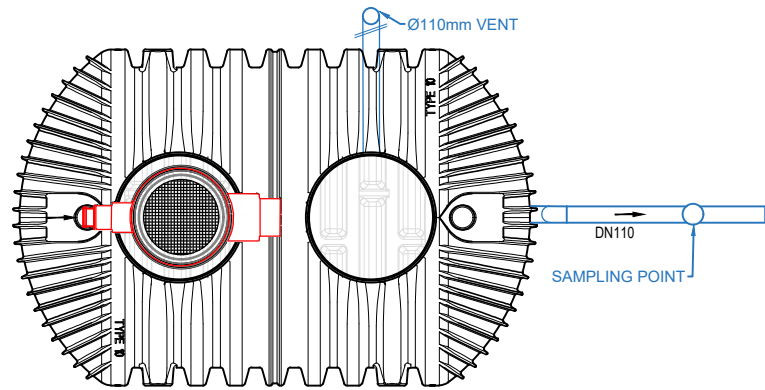




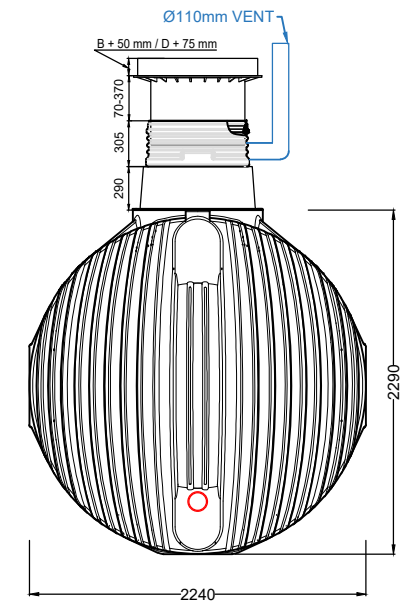
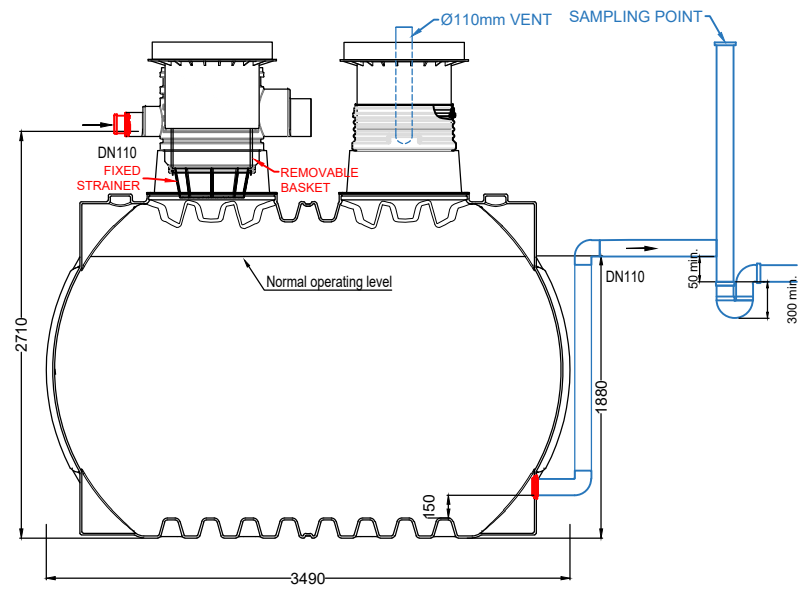
NOTE:
 • RED ITEMS ARE PROVIDED
 • BLUE ITEMS ARE EXCLUDED




article		GRAF Australia Lint Arrestor SC 5000		article no.		31.0507	
drawn	ISC	weight	355 kg	comments		GRAF Australia Pty Ltd 43b Sparks Road, Henderson WA 6166 info@grafaustalia.com.au www.grafaustalia.com.au	
date	2024.05.08	tolerance	+/- 3%	sampling point requirements to be confirmed by relevant authority of jurisdiction			
		scale	1:40	units	mm		



NOTE:
 • RED ITEMS ARE PROVIDED
 • BLUE ITEMS ARE EXCLUDED



article		GRAF Australia Lint Arrestor SC 10000		article no.		31.0509	
drawn	ISC	weight	495 kg	comments		GRAF Australia Pty Ltd 43b Sparks Road, Henderson WA 6166 info@grafaustalia.com.au www.grafaustalia.com.au	
date	2024.05.08	tolerance	+/- 3%	sampling point requirements to be confirmed by relevant authority of jurisdiction			
		scale	1:50	units	mm		