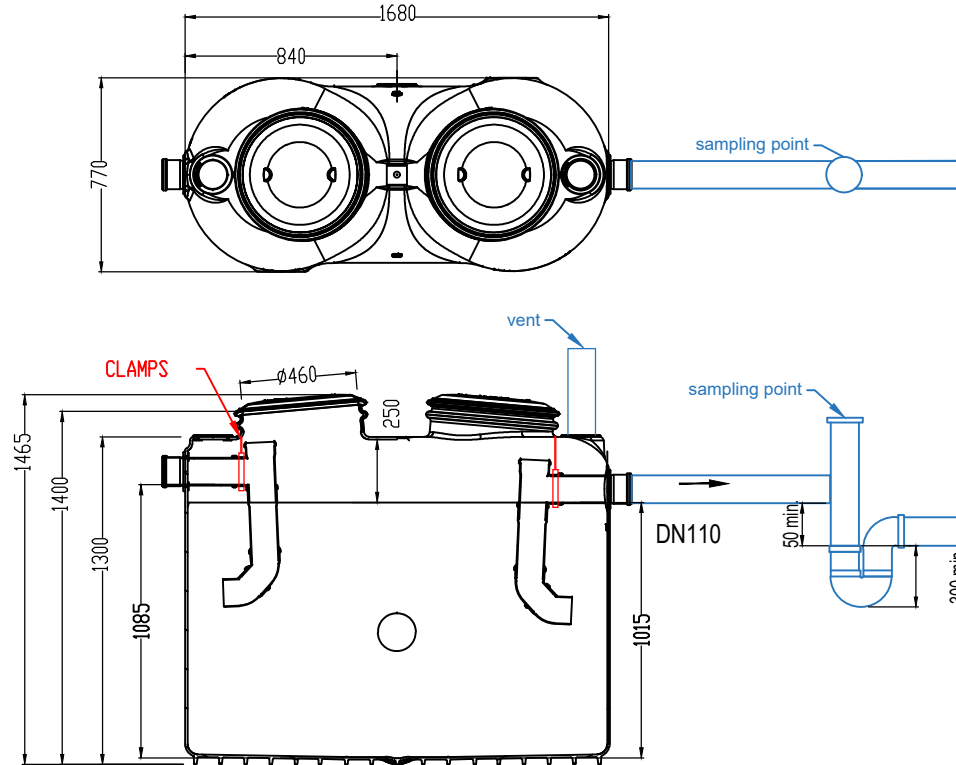


article			GRAF Australia Above Ground Grease Separator GB 600		article no.		TBA
drawn	ISC	weight	10kg	comments		GRAF Australia Pty Ltd 43b Sparks Road, Henderson WA 6166 info@grafaustalia.com.au www.grafaustalia.com.au	
date	2024.05.30	tolerance	+/- 3%	scale	1:30	units	mm



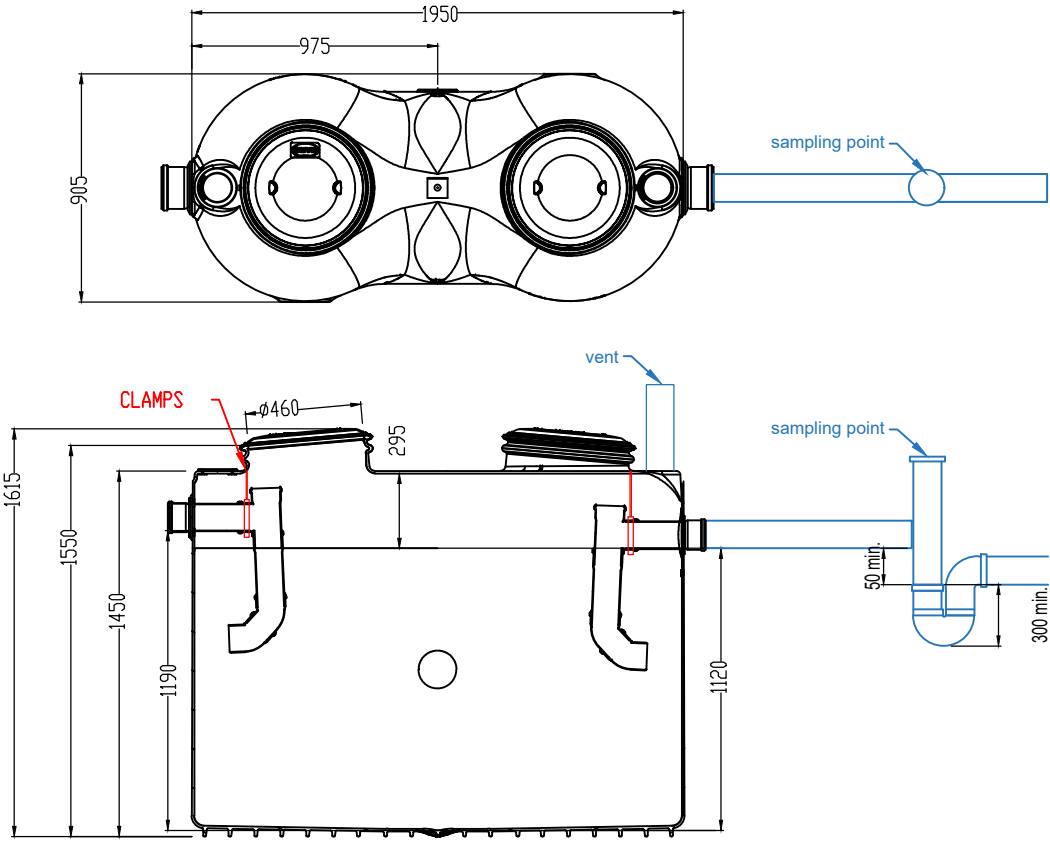
Note:
Blue Items are excluded



article			GRAF Australia Above Ground Grease Separator GB 1000		article no.	TBA	
drawn	ISC	weight	15kg	comments	GRAF Australia Pty Ltd 43b Sparks Road, Henderson WA 6166 info@grafaustalia.com.au www.grafaustalia.com.au		
date	2024.05.30	tolerance	+/- 3%	scale	1:30	units	mm
				comments	sampling point requirements to be confirmed by relevant authority of jurisdiction		



Note:
Blue Items are excluded



article			GRAF Australia Above Ground Grease Separator GB 1500		article no.		TBA	
drawn	ISC	weight	23kg	comments	sampling point requirements to be confirmed by relevant authority of jurisdiction			
date	2024.05.30	tolerance	+/- 3%	scale	1:30	units	mm	GRAF Australia Pty Ltd 43b Sparks Road, Henderson WA 6166 info@grafaustalia.com.au www.grafaustalia.com.au

