



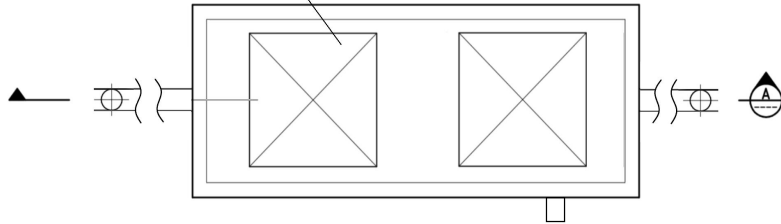
# ECLIPSE ENVIRONMENTAL

## Stainless Steel Grease Arrestor Drawings

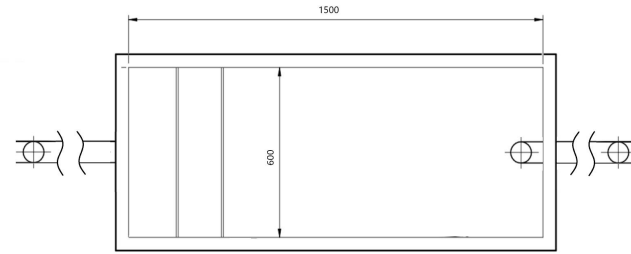
GA1000S  
GA1500S  
GA2000S  
GA3000S  
GA4000S  
GA5000S

Boyd Johnston  
boyd@eclipseaustralia.com.au  
MAY 2024

GAS TIGHT COVERS AND FRAME  
CLASS a,b,c,d AS-3996

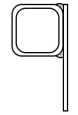


PLAN

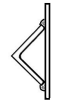


SECTION B

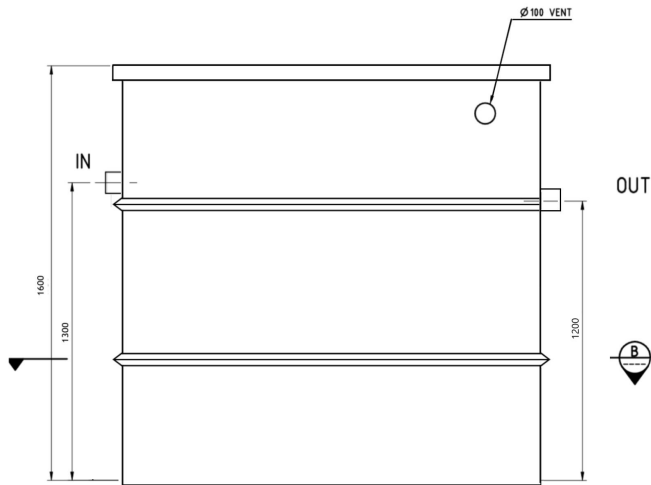
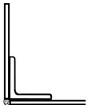
DETAIL C



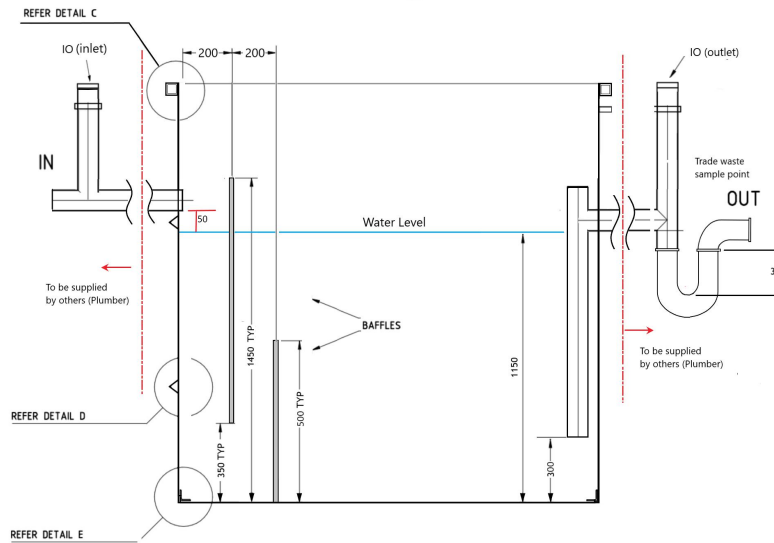
DETAIL D



DETAIL E



ELEVATION



SECTION A

NOTES

STAINLESS STEEL FEATURES

- 50 X 50 X 6 ANGLE HORIZONTAL STIFFENERS
- 40 X 40 X 4 RHS TOP HORIZONTAL STIFFENERS
- INTERNAL STAINLESS STEEL SHEET METAL BAFFLES

STAINLESS STEEL SHEET METAL THICKNESS 3mm

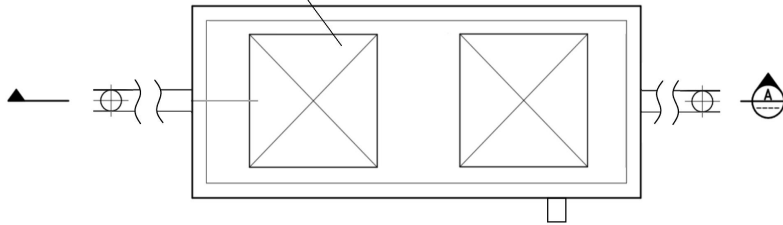
ALL PIPE FITTINGS IN 100mm UPVC WITH FLEXIBLE CONNECTORS

GAS TIGHT COVERS TO COMPLY WITH AS-3996

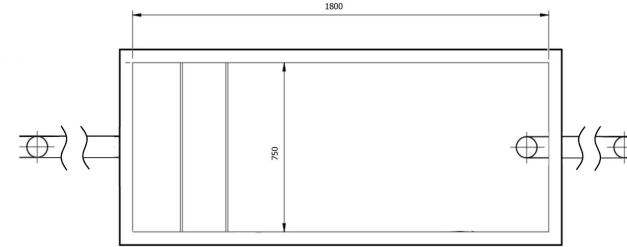
<b>TITLE</b> <b>Eclipse GA1000S</b> <b>1000 Lt Grease Arrestor</b>				<b>DRAWN</b> Boyd Johnston	3RD ANGLE PROJECTION 
				<b>DATE</b> 11.4.24	
<b>REV.</b> 1	<b>DATE</b>	<b>CHK'D</b> BJ	<b>REVISION DESCRIPTION</b>	<b>SCALE</b> Not to scale	<b>REVISION</b> 1
CONFIDENTIAL <small>THIS DOCUMENT AND THE INFORMATION CONTAINED HEREIN IS CONFIDENTIAL TO (-) AND MAY NOT BE COPIED IN WHOLE OR IN PART OR COMMUNICATED TO A THIRD PARTY WITHOUT THE WRITTEN PERMISSION OF (-). THIS DOCUMENT IS COPYRIGHT PROTECTED.</small>				<b>CHECKED</b>	<b>SHEET SIZE</b>
				<b>APPROVED</b>	
				<b>DRAWING No.</b> EEA-BJ-0133	

**ECLIPSE**  
**ENVIRONMENTAL AUSTRALIA**  
 (02) 9757 1212  
 sales@eclipseaustralia.com.au  
 www.eclipseaustralia.com.au  
 73 Victoria Street Smithfield NSW 2164

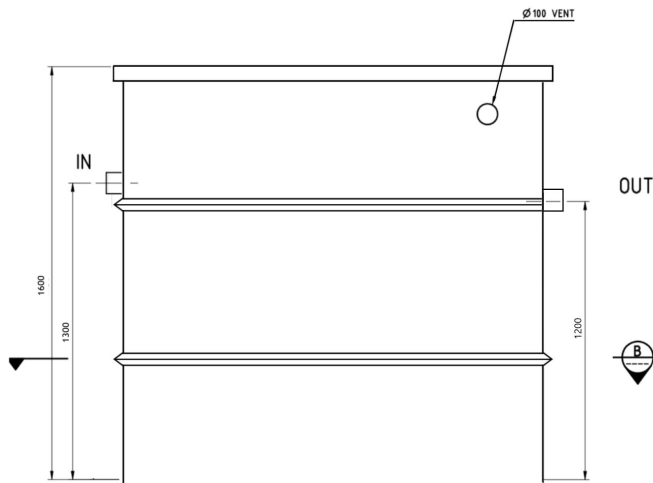
GAS TIGHT COVERS AND FRAME  
CLASS a,b,c,d AS-3996



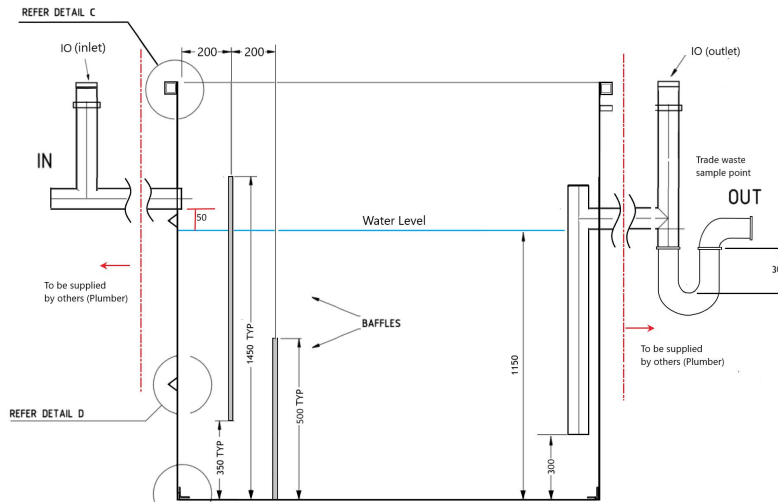
PLAN



SECTION B

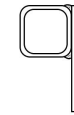


ELEVATION



SECTION A

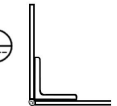
DETAIL C



DETAIL D



DETAIL E



**NOTES**

- STAINLESS STEEL FEATURES**
- 50 X 30 X 6 ANGLE HORIZONTAL STIFFENERS
  - 40 X 40 X 4 RHS TOP HORIZONTAL STIFFENERS
  - INTERNAL STAINLESS STEEL SHEET METAL BAFFLES

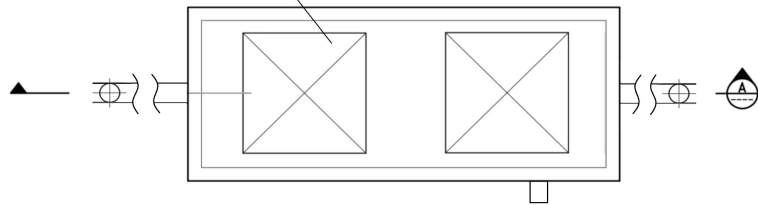
STAINLESS STEEL SHEET METAL THICKNESS 3mm

ALL PIPE FITTINGS IN 100mm UPVC WITH FLEXIBLE CONNECTORS

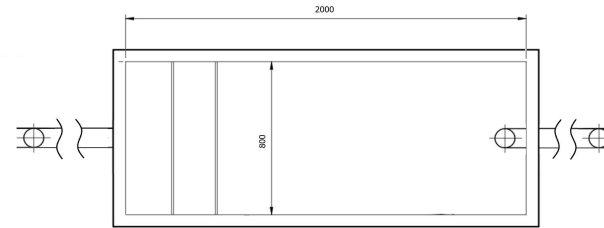
GAS TIGHT COVERS TO COMPLY WITH AS-3996

TITLE <b>Eclipse GA1500S</b> 1500 Lt Grease Arrestor				DRAWN Boyd Johnston	3RD ANGLE PROJECTION 
				DATE 11.4.24	
REV.	DATE	CHK'D	REVISION DESCRIPTION	SCALE Not to scale	REVISION 1
1		BJ	CONFIDENTIAL	CHECKED	
<small>THIS DOCUMENT AND THE INFORMATION CONTAINED HEREIN IS CONFIDENTIAL TO (-) AND MAY NOT BE COPIED IN WHOLE OR IN PART OR COMMUNICATED TO A THIRD PARTY WITHOUT THE WRITTEN PERMISSION OF (-). THIS DOCUMENT IS COPYRIGHT PROTECTED.</small>				APPROVED	SHEET SIZE
				DRAWING No. EEA-BJ-0134	
				 <b>ECLIPSE</b> ENVIRONMENTAL AUSTRALIA (02) 9757 1212 <a href="mailto:sales@eclipseaustralia.com.au">sales@eclipseaustralia.com.au</a> <a href="http://www.eclipseaustralia.com.au">www.eclipseaustralia.com.au</a> 73 Victoria Street Smithfield NSW 2164	

GAS TIGHT COVERS AND FRAME  
CLASS a,b,c,d AS-3996

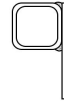


PLAN



SECTION B

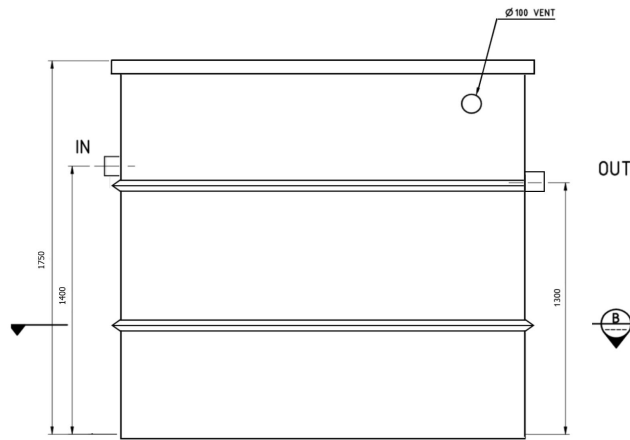
DETAIL C



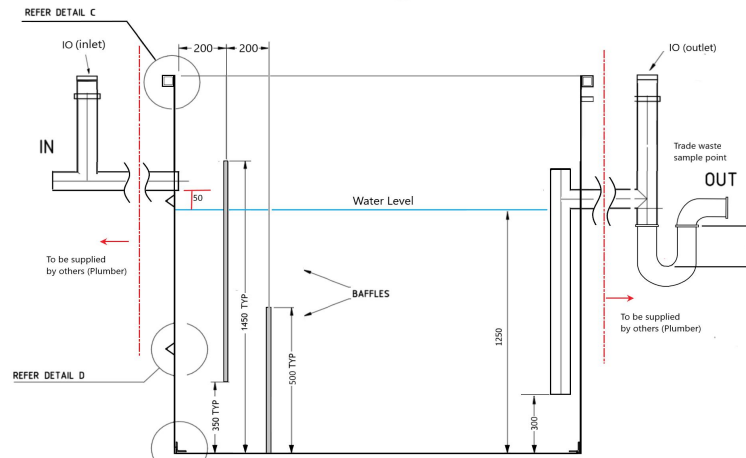
DETAIL D



DETAIL E



ELEVATION



SECTION A

NOTES

- STAINLESS STEEL FEATURES
- 50 X 50 X 6 ANGLE HORIZONTAL STIFFENERS
  - 40 X 40 X 4 RHS TOP HORIZONTAL STIFFENERS
  - INTERNAL STAINLESS STEEL SHEET METAL BAFFLES

STAINLESS STEEL SHEET METAL THICKNESS 3mm

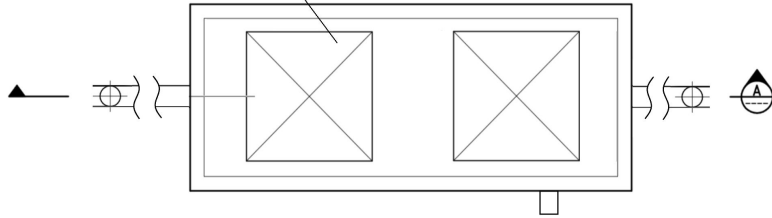
ALL PIPE FITTINGS IN 100mm UPVC WITH FLEXIBLE CONNECTORS

GAS TIGHT COVERS TO COMPLY WITH AS-3996

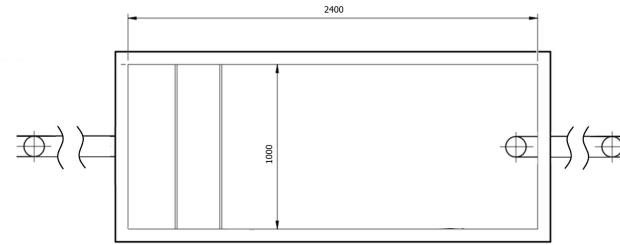
TITLE				Eclipse GA2000S 2000 Lt Grease Arrester		DRAWN		Boyd Johnston		3RD ANGLE PROJECTION	
REV.				DATE		CHK'D		REVISION DESCRIPTION		REVISION	
1						BJ				1	
CONFIDENTIAL											
<small>THIS DOCUMENT AND THE INFORMATION CONTAINED HEREIN IS CONFIDENTIAL TO (-) AND MAY NOT BE COPIED IN WHOLE OR IN PART OR COMMUNICATED TO A THIRD PARTY WITHOUT THE WRITTEN PERMISSION OF (-). THIS DOCUMENT IS COPYRIGHT PROTECTED.</small>											
APPROVED						DRAWING No. EEA-BJ-0135					

**eclipse**  
ENVIRONMENTAL AUSTRALIA  
(02) 9757 1212  
sales@eclipseaustralia.com.au  
www.eclipseaustralia.com.au  
73 Victoria Street Smithfield NSW 2164

GAS TIGHT COVERS AND FRAME  
CLASS a,b,c,d AS-3996

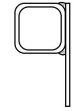


PLAN



SECTION B

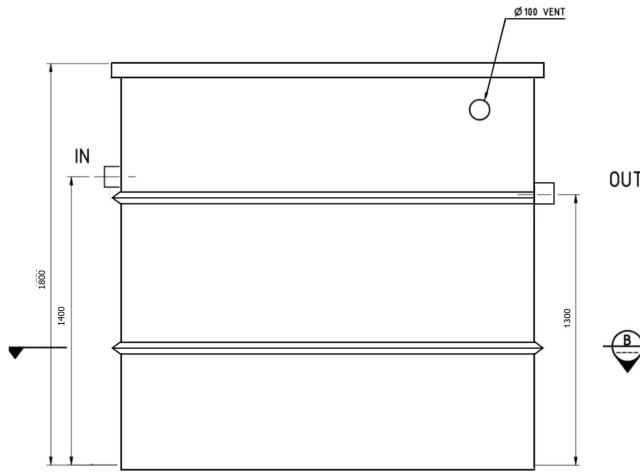
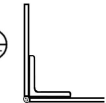
DETAIL C



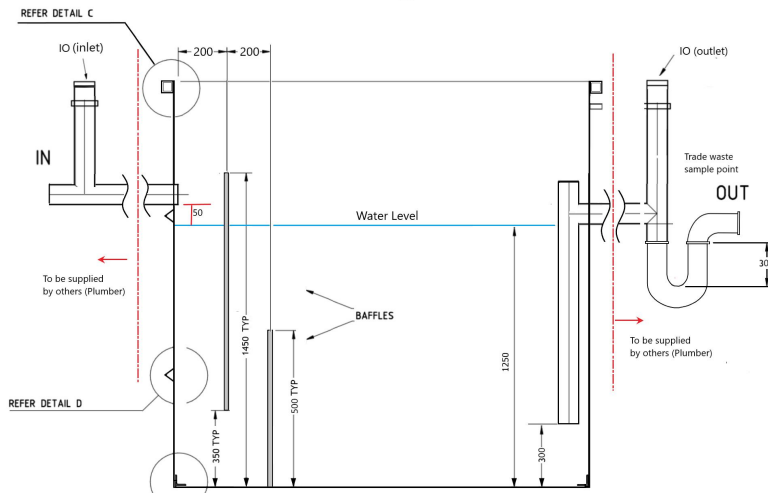
DETAIL D



DETAIL E



ELEVATION



SECTION A

**NOTES**

- STAINLESS STEEL FEATURES**
- + 50 X 50 X 6 ANGLE HORIZONTAL STIFFENERS
  - + 40 X 40 X 4 RHS TOP HORIZONTAL STIFFENERS
  - + INTERNAL STAINLESS STEEL SHEET METAL BAFFLES

STAINLESS STEEL SHEET METAL THICKNESS 3mm

ALL PIPE FITTINGS IN 100mm UPVC WITH FLEXIBLE CONNECTORS

GAS TIGHT COVERS TO COMPLY WITH AS-3996

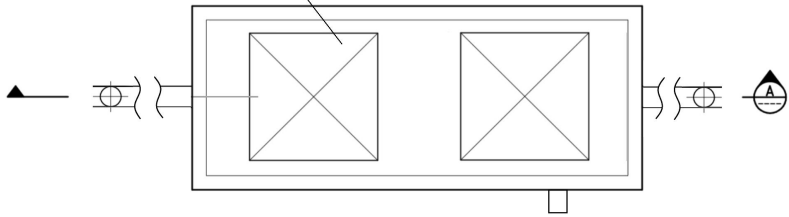
TITLE <b>Eclipse GA3000S</b> 3000 Lt Grease Arrester				DRAWN Boyd Johnston	3RD ANGLE PROJECTION 
REV. DATE CHKD REVISION DESCRIPTION				DATE 11.4.24	
1		BJ		SCALE Not to scale	REVISION 1
CONFIDENTIAL				CHECKED	SHEET SIZE
© THIS DOCUMENT AND THE INFORMATION CONTAINED HEREIN IS CONFIDENTIAL TO [-] AND MAY NOT BE COPIED IN WHOLE OR IN PART OR COMMUNICATED TO A THIRD PARTY WITHOUT THE WRITTEN PERMISSION OF [-]. THIS DOCUMENT IS COPYRIGHT PROTECTED.				APPROVED	
				DRAWING No. EEA-BJ-0136	

**ECLIPSE**  
ENVIRONMENTAL AUSTRALIA  
(02) 9757 1212

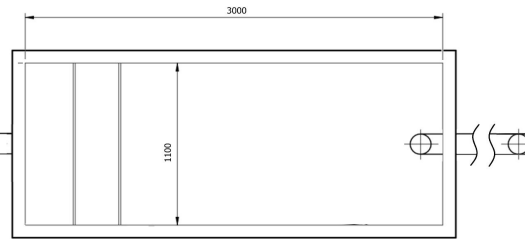
sales@eclipseaustralia.com.au  
www.eclipseaustralia.com.au

73 Victoria Street Smithfield NSW 2164

GAS TIGHT COVERS AND FRAME  
CLASS a,b,c,d AS-3996



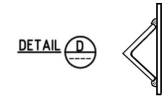
PLAN



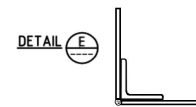
SECTION B



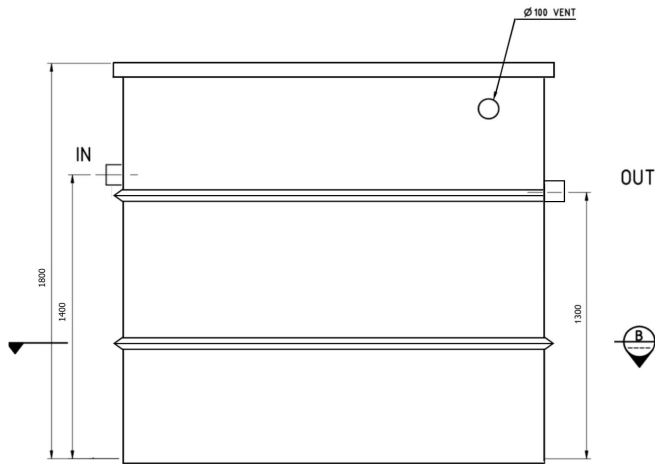
DETAIL C



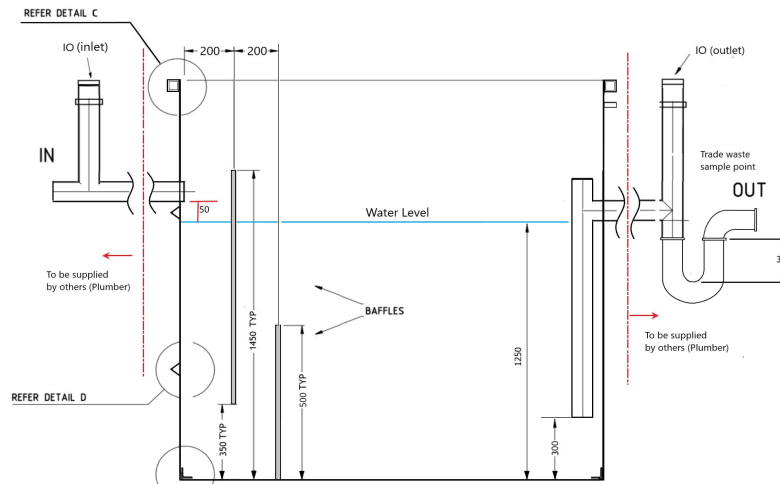
DETAIL D



DETAIL E



ELEVATION



SECTION A

**NOTES**

- STAINLESS STEEL FEATURES
- 50 X 50 X 6 ANGLE HORIZONTAL STIFFENERS
- 40 X 40 X 4 RHS TOP HORIZONTAL STIFFENERS
- INTERNAL STAINLESS STEEL SHEET METAL BAFFLES

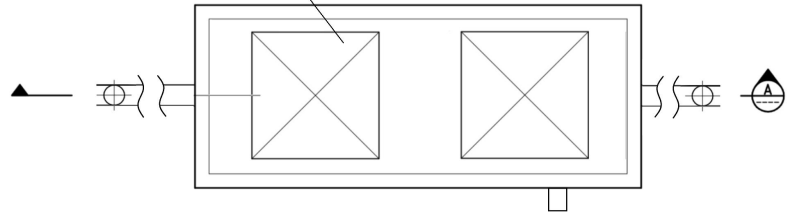
STAINLESS STEEL SHEET METAL THICKNESS 3mm

ALL PIPE FITTINGS IN 100mm UPVC WITH FLEXIBLE CONNECTORS

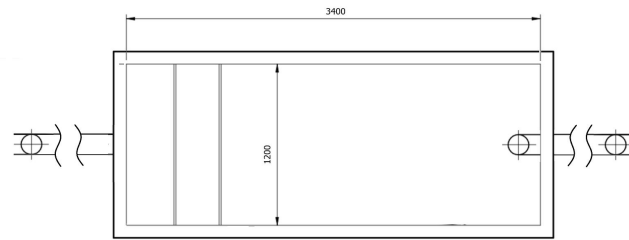
GAS TIGHT COVERS TO COMPLY WITH AS-3996

<b>TITLE</b> <b>Eclipse GA4000S</b> <b>4000 Lt Grease Arrester</b>				<b>DRAWN</b> Boyd Johnston	3RD ANGLE PROJECTION 	 <b>ECLIPSE</b> <b>ENVIRONMENTAL AUSTRALIA</b> (02) 9757 1212 <a href="mailto:sales@eclipseaustralia.com.au">sales@eclipseaustralia.com.au</a> <a href="http://www.eclipseaustralia.com.au">www.eclipseaustralia.com.au</a> 73 Victoria Street Smithfield NSW 2164
<b>DATE</b> 11.4.24				<b>SCALE</b> Not to scale		
<b>REV.</b> 1	<b>DATE</b>	<b>CHK'D</b> BJ	<b>REVISION DESCRIPTION</b>	<b>CHECKED</b>	<b>REVISION</b> 1	<b>SHEET SIZE</b>
CONFIDENTIAL <small>THIS DOCUMENT AND THE INFORMATION CONTAINED HEREIN IS CONFIDENTIAL TO (-) AND MAY NOT BE COPIED IN WHOLE OR IN PART OR COMMUNICATED TO A THIRD PARTY WITHOUT THE WRITTEN PERMISSION OF (-). THIS DOCUMENT IS COPYRIGHT PROTECTED.</small>				<b>APPROVED</b>	<b>DRAWING No.</b> EEA-BJ-0137	

GAS TIGHT COVERS AND FRAME  
CLASS a,b,c,d AS-3996



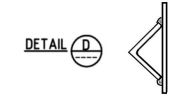
PLAN



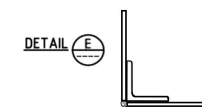
SECTION B



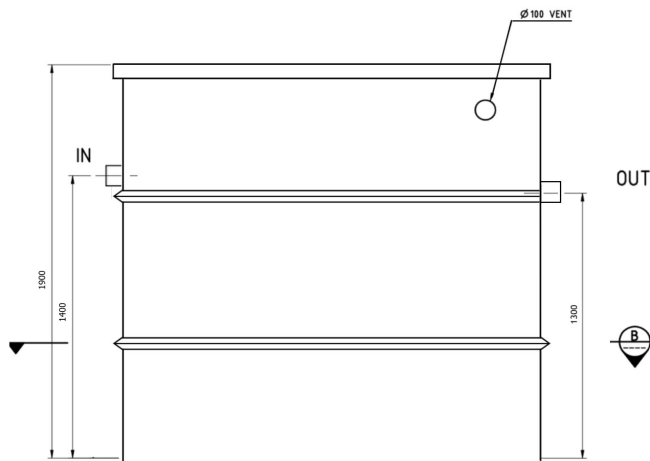
DETAIL C



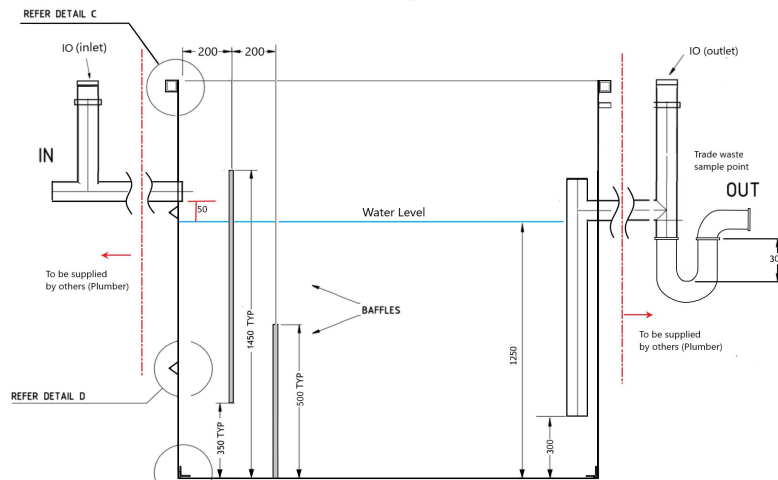
DETAIL D



DETAIL E



ELEVATION



SECTION A

**NOTES**

- STAINLESS STEEL FEATURES
- 50 X 50 X 6 ANGLE HORIZONTAL STIFFENERS
- 40 X 40 X 4 RHS TOP HORIZONTAL STIFFENERS
- INTERNAL STAINLESS STEEL SHEET METAL BAFFLES

STAINLESS STEEL SHEET METAL THICKNESS 3mm

ALL PIPE FITTINGS IN 100mm UPVC WITH FLEXIBLE CONNECTORS

GAS TIGHT COVERS TO COMPLY WITH AS-3996

TITLE  
**Eclipse GA5000S**  
**5000 Lt Grease Arrestor**

DRAWN Boyd Johnston  
DATE 11.4.24  
SCALE Not to scale  
CHECKED  
APPROVED  
DRAWING No. EEA-BJ- 0138

3RD ANGLE PROJECTION



REVISION  
1

SHEET SIZE

**ECLIPSE**  
ENVIRONMENTAL AUSTRALIA

(02) 9757 1212

sales@eclipseaustralia.com.au

www.eclipseaustralia.com.au

73 Victoria Street Smithfield NSW 2164

REV.	DATE	CHK'D	REVISION DESCRIPTION
1		BJ	

CONFIDENTIAL

° THIS DOCUMENT AND THE INFORMATION CONTAINED HEREIN, IS CONFIDENTIAL TO (-) AND MAY NOT BE COPIED IN WHOLE OR IN PART OR COMMUNICATED TO A THIRD PARTY WITHOUT THE WRITTEN PERMISSION OF (-). THIS DOCUMENT IS COPYRIGHT PROTECTED.