

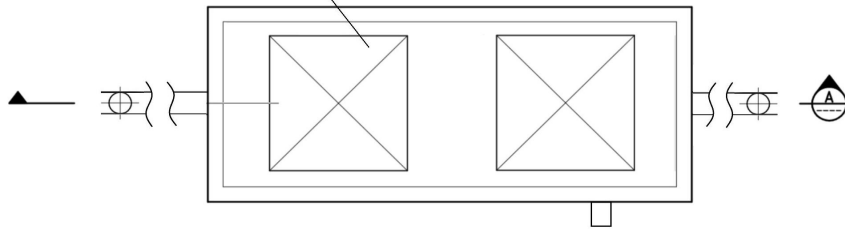


ECLIPSE ENVIRONMENTAL FIBERGLASS GREASE ARRESTOR DRAWINGS

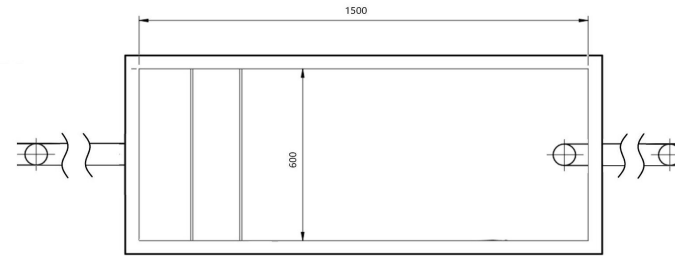
GA1000F
GA1500F
GA2000F
GA3000F
GA4000F
GA5000F

Boyd Johnston
boyd@eclipseaustralia.com.au
May 2024

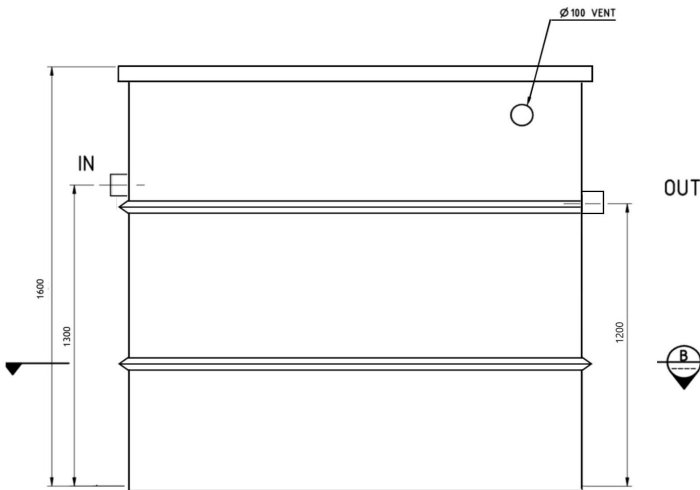
GAS TIGHT COVERS AND FRAME
CLASS a,b,c,d AS-3996



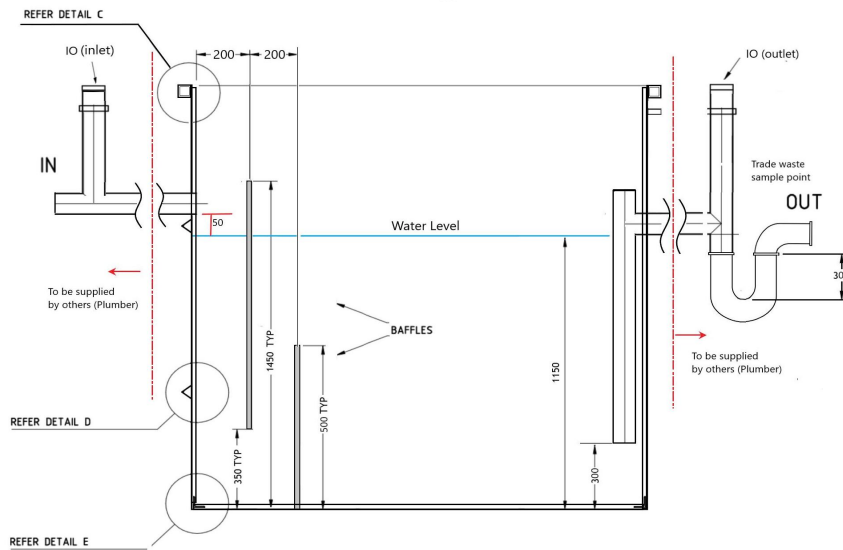
PLAN



SECTION B



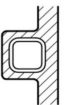
ELEVATION



SECTION A



DETAIL C



DETAIL D



DETAIL E

NOTES


- INTERNAL STEEL FRAME FEATURES
- 50 X 50 X 6 ANGLE BASE & TOP FRAMES
- 40 X 40 X 4 RHS VERTICAL & HORIZONTAL STIFFENERS
- INTERNAL SHEET METAL INSIDE BAFFLES

MINIMUM FIBREGLASS THICKNESS 8mm

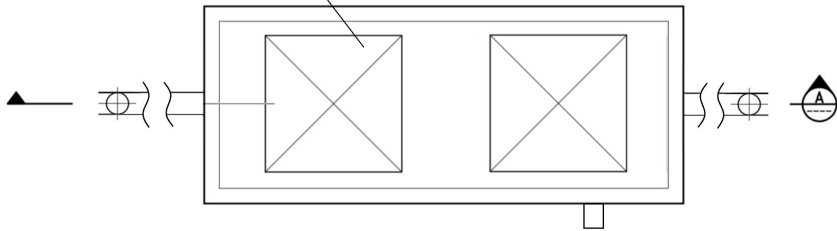
INTERNAL GEL COATED

ALL PIPE FITTINGS IN 100mm UPVC WITH FLEXIBLE CONNECTORS

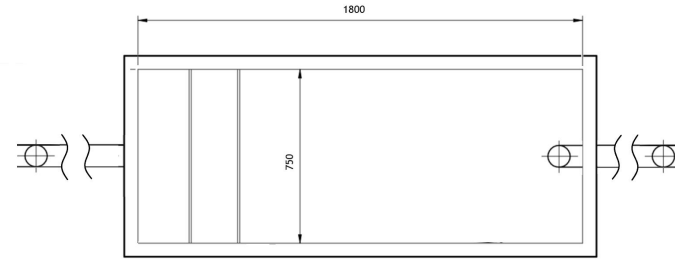
GAS TIGHT COVERS TO COMPLY WITH AS-3996

TITLE				Eclipse GA1000F 1000 Lt Grease Arrestor		DRAWN		Boyd Johnston		3RD ANGLE PROJECTION		 <p>ECLIPSE ENVIRONMENTAL AUSTRALIA (02) 9757 1212 sales@eclipseaustralia.com.au www.eclipseaustralia.com.au 73 Victoria Street Smithfield NSW 2164</p>
REV.				DATE		SCALE		CHECKED		REVISION		
1				11.4.24		Not to scale				2		
CONFIDENTIAL										SHEET SIZE		
<p>° THIS DOCUMENT AND THE INFORMATION CONTAINED HEREIN IS CONFIDENTIAL TO (-) AND MAY NOT BE COPIED IN WHOLE OR IN PART OR COMMUNICATED TO A THIRD PARTY WITHOUT THE WRITTEN PERMISSION OF (-). THIS DOCUMENT IS COPYRIGHT PROTECTED.</p>				APPROVED		DRAWING No.		EEA-BJ-0126				

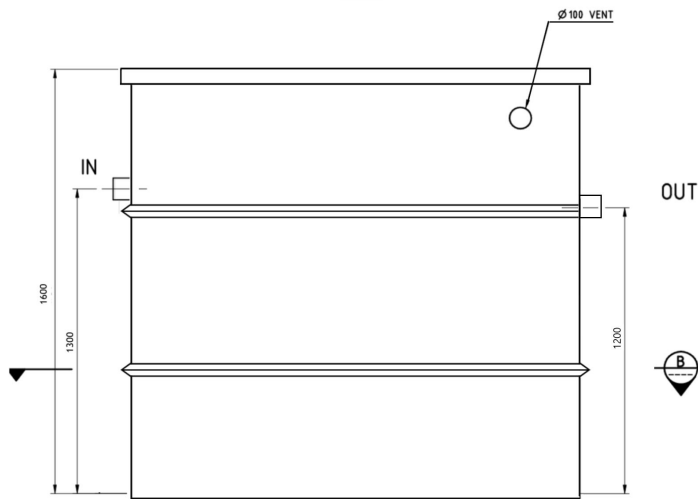
GAS TIGHT COVERS AND FRAME
CLASS a,b,c,d AS-3996



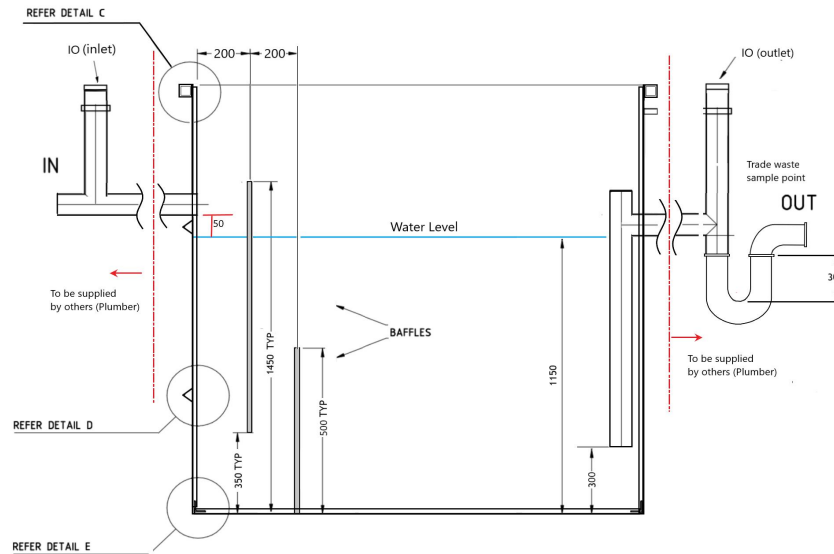
PLAN



SECTION B



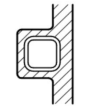
ELEVATION



SECTION A



DETAIL C



DETAIL D



DETAIL E

NOTES

- INTERNAL STEEL FRAME FEATURES**
- 50 X 50 X 6 ANGLE BASE & TOP FRAMES
 - 40 X 40 X 4 RHS VERTICAL & HORIZONTAL STIFFENERS
 - INTERNAL SHEET METAL INSIDE BAFFLES 5

MINIMUM FIBREGLASS THICKNESS 8mm

INTERNAL GEL COATED

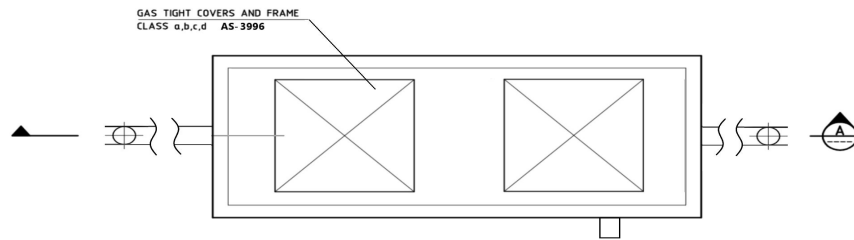
ALL PIPE FITTINGS IN 100mm UPVC WITH FLEXIBLE CONNECTORS

GAS TIGHT COVERS TO COMPLY WITH AS-3996

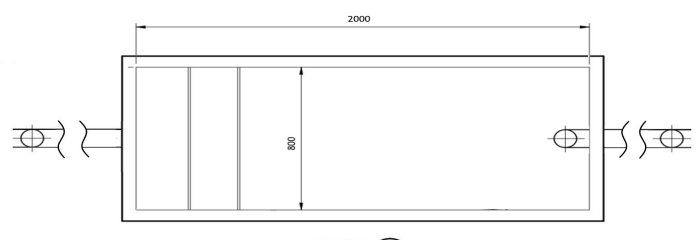
TITLE Eclipse GA1500F 1500 Lt Grease Arrestor				DRAWN Boyd Johnston	3RD ANGLE PROJECTION
REV. DATE CHK'D REVISION DESCRIPTION				DATE 15.4.24	
1		BJ		SCALE Not to scale	REVISION 1
CONFIDENTIAL <small>THIS DOCUMENT AND THE INFORMATION CONTAINED HEREIN IS CONFIDENTIAL TO (-) AND MAY NOT BE COPIED IN WHOLE OR IN PART OR COMMUNICATED TO A THIRD PARTY WITHOUT THE WRITTEN PERMISSION OF (-). THIS DOCUMENT IS COPYRIGHT PROTECTED.</small>				CHECKED 	SHEET SIZE
				APPROVED 	
				DRAWING No. EEA-BJ-0127	



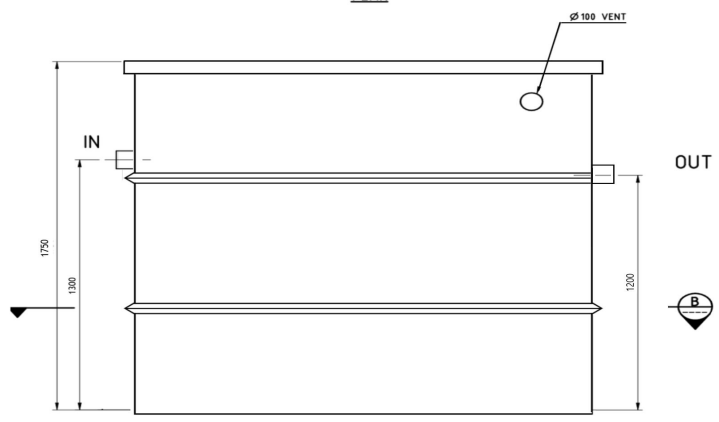
(02) 9757 1212
sales@eclipseaustralia.com.au
www.eclipseaustralia.com.au
 73 Victoria Street Smithfield NSW 2164



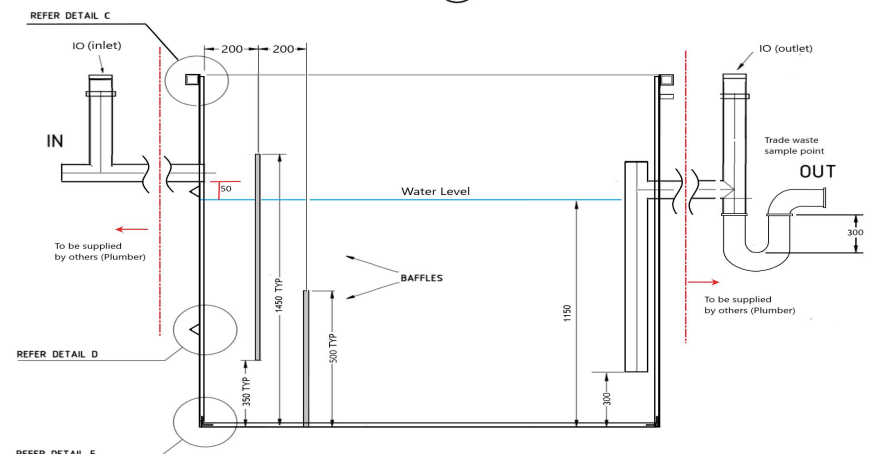
PLAN



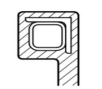
SECTION B



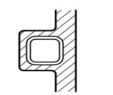
ELEVATION



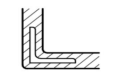
SECTION A



DETAIL C



DETAIL D



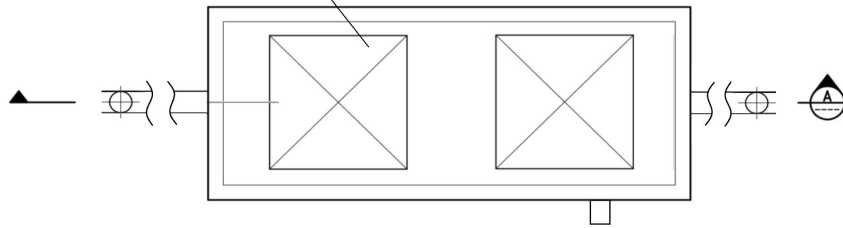
DETAIL E

NOTES

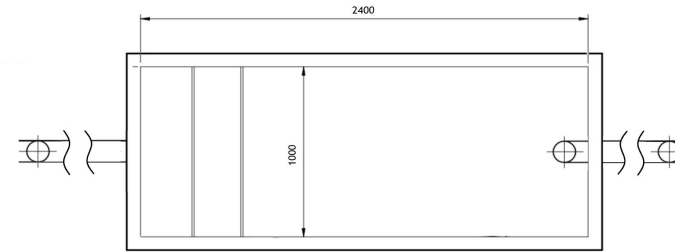
- INTERNAL STEEL FRAME FEATURES**
- 50 X 50 X 6 ANGLE BASE & TOP FRAMES
 - 40 X 40 X 4 RHS VERTICAL & HORIZONTAL STIFFENERS
 - INTERNAL SHEET METAL INSIDE BAFFLES 5
- MINIMUM FIBREGLASS THICKNESS 8mm
 INTERNAL GEL COATED
 ALL PIPE FITTINGS IN 100mm UPVC WITH FLEXIBLE CONNECTORS
 GAS TIGHT COVERS TO COMPLY WITH AS-3996

TITLE Eclipse GA2000F 2000 Lt Grease Arrestor				DRAWN Boyd Johnston	3RD ANGLE PROJECTION
DATE 15.4.24				SCALE Not to scale	REVISION 1
REV. 1				CHECKED APPROVED	SHEET SIZE
CONFIDENTIAL <small>THIS DOCUMENT AND THE INFORMATION CONTAINED HEREIN IS CONFIDENTIAL TO (S) AND MAY NOT BE COPIED IN WHOLE OR IN PART OR COMMUNICATED TO A THIRD PARTY WITHOUT THE WRITTEN PERMISSION OF (S). THIS DOCUMENT IS COPYRIGHT PROTECTED.</small>				DRAWING No. EEA-BJ-0128	SALES@ECLIPSEAUSTRALIA.COM.AU (02) 9757 1212 www.eclipseaustralia.com.au 73 Victoria Street Smithfield NSW 2164

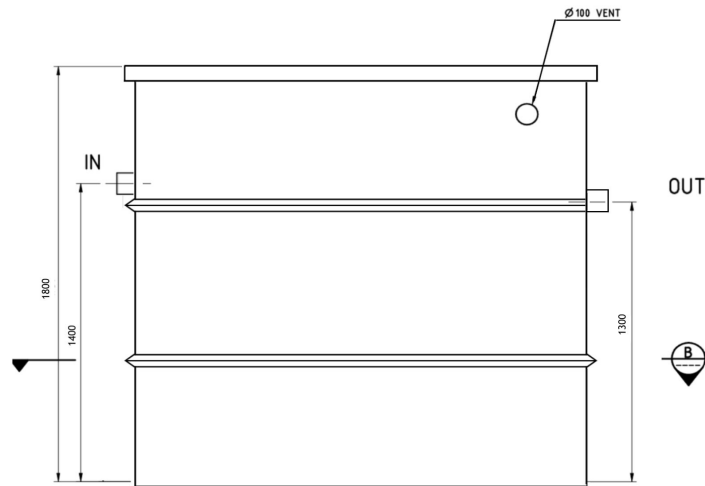
GAS TIGHT COVERS AND FRAME
CLASS a,b,c,d AS-3996



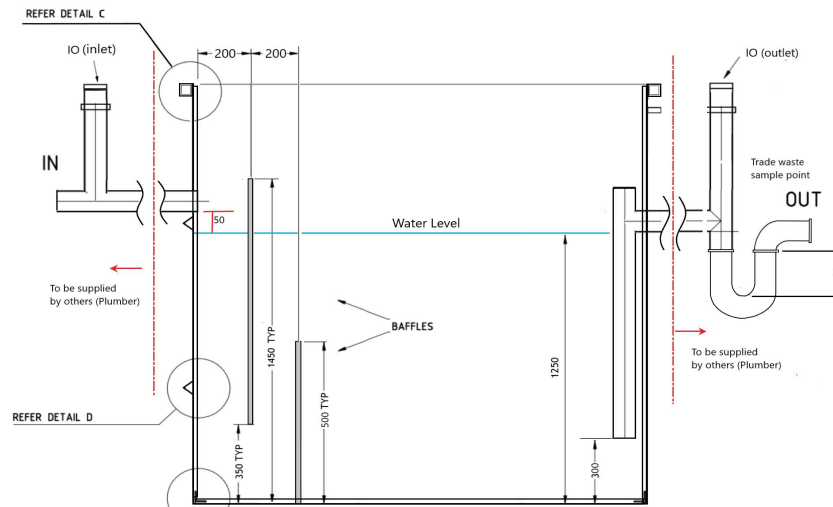
PLAN



SECTION B



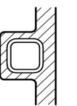
ELEVATION



SECTION A



DETAIL C



DETAIL D



DETAIL E

NOTES

INTERNAL STEEL FRAME FEATURES

- 50 X 50 X 6 ANGLE BASE & TOP FRAMES
- 40 X 40 X 4 RHS VERTICAL & HORIZONTAL STIFFENERS
- INTERNAL SHEET METAL INSIDE BAFFLES

MINIMUM FIBREGLASS THICKNESS 8mm

INTERNAL GEL COATED

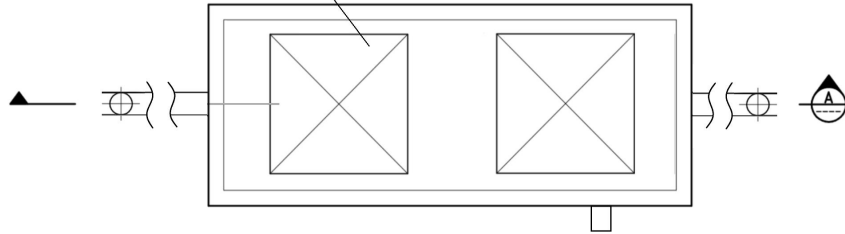
ALL PIPE FITTINGS IN 100mm UPVC WITH FLEXIBLE CONNECTORS

GAS TIGHT COVERS TO COMPLY WITH AS-3996

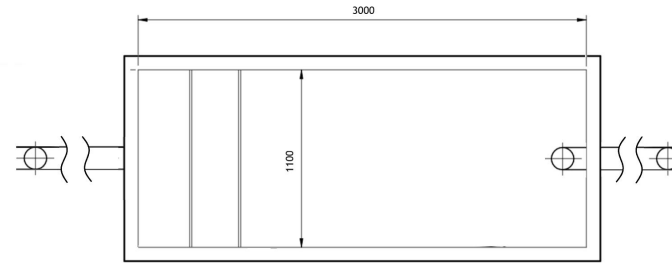
TITLE		Eclipse GA3000F 3000 Lt Grease Arrester		DRAWN	Boyd Johnston	3RD ANGLE PROJECTION	
DATE		15.4.24		DATE	15.4.24		
REV.	DATE	CHK'D	REVISION DESCRIPTION	SCALE	Not to scale	REVISION	1
1		BJ		CHECKED		SHEET SIZE	
CONFIDENTIAL				APPROVED			
° THIS DOCUMENT AND THE INFORMATION CONTAINED HEREIN IS CONFIDENTIAL TO (-) AND MAY NOT BE COPIED IN WHOLE OR IN PART OR COMMUNICATED TO A THIRD PARTY WITHOUT THE WRITTEN PERMISSION OF (-). THIS DOCUMENT IS COPYRIGHT PROTECTED.				DRAWING No.	EEA-BJ-0129		

ECLIPSE
ENVIRONMENTAL AUSTRALIA
(02) 9757 1212
sales@eclipseaustralia.com.au
www.eclipseaustralia.com.au
73 Victoria Street Smithfield NSW 2164

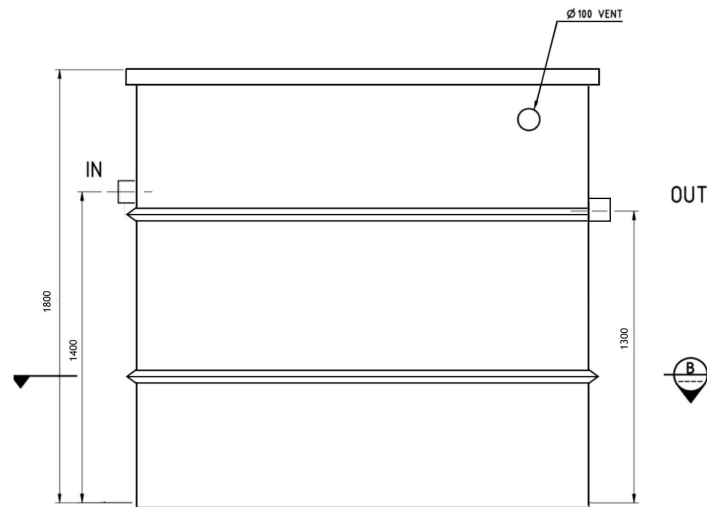
GAS TIGHT COVERS AND FRAME
CLASS a,b,c,d AS-3996



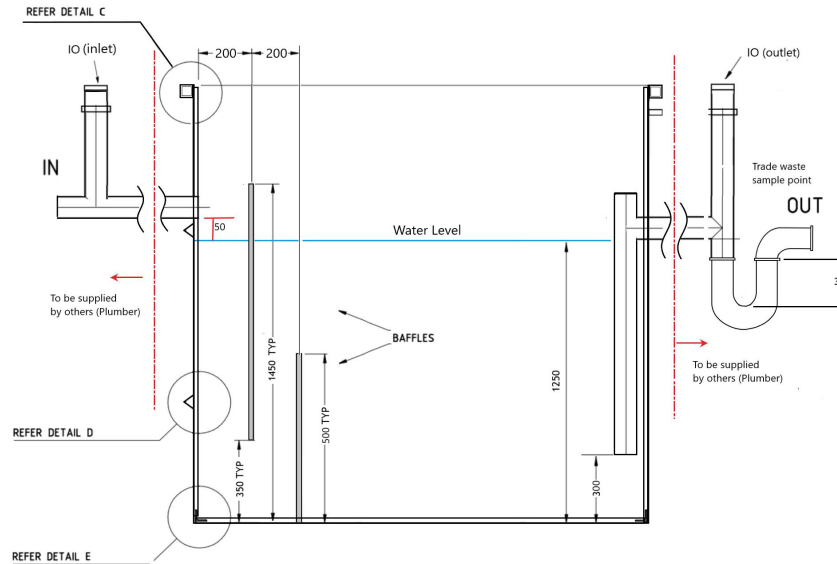
PLAN



SECTION B



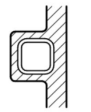
ELEVATION



SECTION A



DETAIL C



DETAIL D



DETAIL E

NOTES

- INTERNAL STEEL FRAME FEATURES**
- 50 X 50 X 6 ANGLE BASE & TOP FRAMES
 - 40 X 40 X 4 RHS VERTICAL & HORIZONTAL STIFFENERS
 - INTERNAL SHEET METAL INSIDE BAFFLES

MINIMUM FIBREGLASS THICKNESS 8mm

INTERNAL GEL COATED

ALL PIPE FITTINGS IN 100mm UPVC WITH FLEXIBLE CONNECTORS

GAS TIGHT COVERS TO COMPLY WITH AS-3996

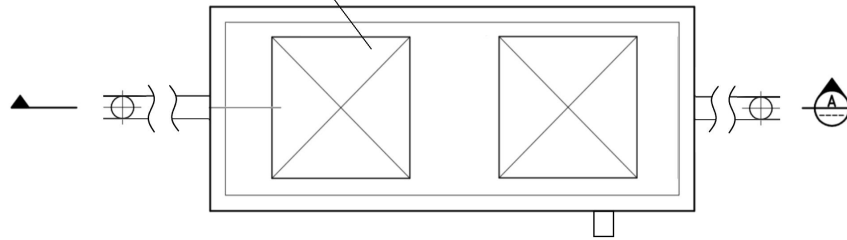
TITLE Eclipse GA4000F 4000 Lt Grease Arrestor				DRAWN Boyd Johnston	3RD ANGLE PROJECTION
REV. DATE CHK'D REVISION DESCRIPTION				DATE 15.4.24	REVISION 1
1		BJ		SCALE Not to scale	
CONFIDENTIAL				CHECKED	
° THIS DOCUMENT AND THE INFORMATION CONTAINED HEREIN IS CONFIDENTIAL TO (-) AND MAY NOT BE COPIED IN WHOLE OR IN PART OR COMMUNICATED TO A THIRD PARTY WITHOUT THE WRITTEN PERMISSION OF (-). THIS DOCUMENT IS COPYRIGHT PROTECTED.				APPROVED	
				DRAWING No. EEA-BJ-0131	SHEET SIZE



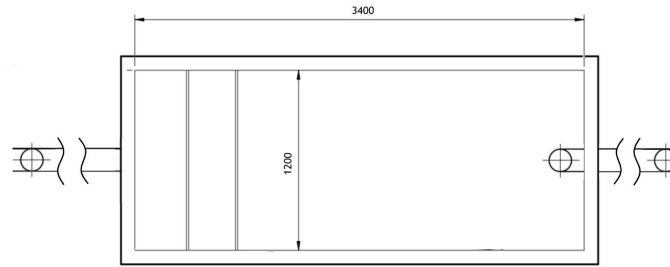
(02) 9757 1212
sales@eclipseaustralia.com.au
www.eclipseaustralia.com.au

73 Victoria Street Smithfield NSW 2164

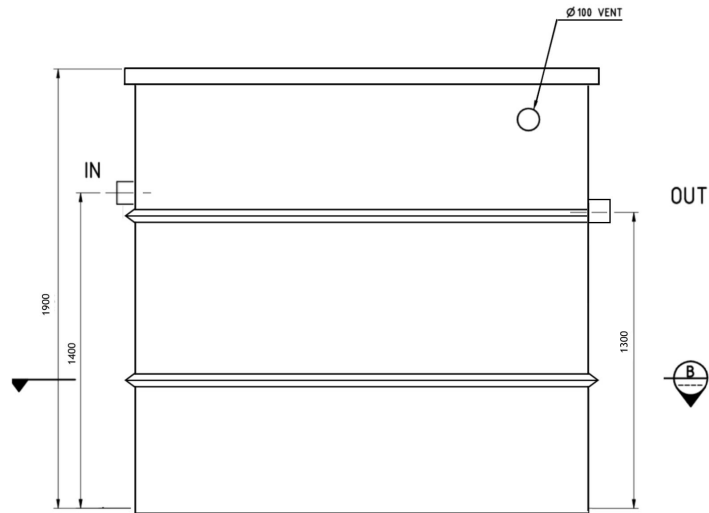
GAS TIGHT COVERS AND FRAME
CLASS a,b,c,d AS-3996



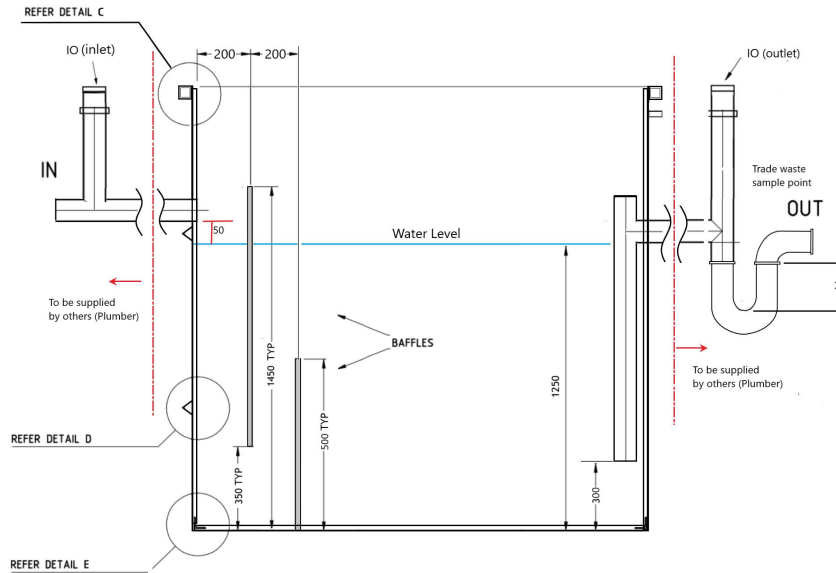
PLAN



SECTION B



ELEVATION



SECTION A



DETAIL C



DETAIL D



DETAIL E

NOTES

- INTERNAL STEEL FRAME FEATURES**
- 50 X 50 X 6 ANGLE BASE & TOP FRAMES
 - 40 X 40 X 4 RHS VERTICAL & HORIZONTAL STIFFENERS
 - INTERNAL SHEET METAL INSIDE BAFFLES

MINIMUM FIBREGLASS THICKNESS 8mm

INTERNAL GEL COATED

ALL PIPE FITTINGS IN 100mm UPVC WITH FLEXIBLE CONNECTORS

GAS TIGHT COVERS TO COMPLY WITH AS-3996

TITLE **Eclipse GA5000F**
5000 Lt Grease Arrestor

DRAWN **Boyd Johnston**
DATE **15.4.24**

3RD ANGLE PROJECTION



REV.	DATE	CHK'D	REVISION DESCRIPTION
1		BJ	

SCALE **Not to scale**

REVISION
1

CONFIDENTIAL
° THIS DOCUMENT AND THE INFORMATION CONTAINED
HEREIN, IS CONFIDENTIAL TO (-) AND MAY NOT BE COPIED IN
WHOLE OR IN PART OR COMMUNICATED TO A THIRD PARTY
WITHOUT THE WRITTEN PERMISSION OF (-). THIS DOCUMENT
IS COPYRIGHT PROTECTED.

CHECKED
APPROVED
DRAWING No. **EEA-BJ-0132**

SHEET SIZE

ECLIPSE
ENVIRONMENTAL AUSTRALIA

(02) 9757 1212
sales@eclipseaustralia.com.au
www.eclipseaustralia.com.au

73 Victoria Street Smithfield NSW 2164