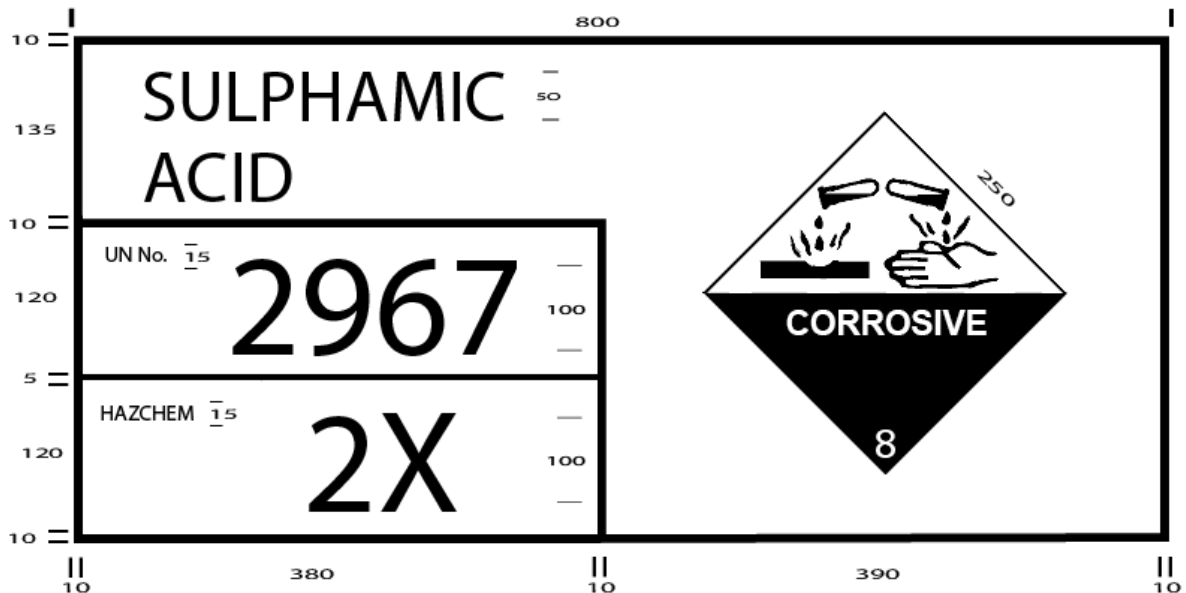


Standard Signage for Treatment & Chemical Dosing Plants

DANGEROUS GOODS SULPHAMIC ACID BULK STORE (Storage container exceeding 500 litres or kg in capacity)

SULPHAMIC ACID BULK PLACARD (DS WCSS017_2)



This **Dangerous Goods Warning Placard** has black text on a white background with the specified Dangerous Goods class label.

Material: Metal or Vinyl – 800 (W) x 410 (H) with the other dimensions as indicated.

- The **Sulphamic Acid Bulk** placard shall be posted on the outside wall near each entry door to the store, but not to be obscured when the door is open.
- The **Sulphamic Acid Bulk** placard shall be also posted on the Sulphamic Acid bulk storage tank(s) - vinyl
- The **Sulphamic Acid Bulk** placard shall be displayed at a level so that it is visible from the normal direction of approach.