 WATER CORPORATION <small>ABN 28 003 434 917</small>		Chemical Facility Operations Equipment Specification WINDVANE ASSEMBLY	
Doc ID 58574823	Custodian Senior Principal Engineer, WT, Engineering		
Version Date 04/12/2023	Accountabilities Framework Level 1 – Acquire Infrastructure Assets		
Next Review Date 30/11/2026	Level 2 – Design Assets		



1 Purpose

The purpose of this specification is to describe the requirements for windvane assemblies used at Water Corporation sites that store chlorine or ammonia gas.

Note: Windsock assemblies can be used as an alternative:

<https://nexus.watercorporation.com.au/otcs/cs.exe/app/nodes/58573792>

2 Scope

This specification applies to all Water Corporation chlorine or ammonia facilities that use windvanes to determine the direction of wind in the event of a leak.

3 Definitions

N/A

4 References

AS/NZS 2927:2019 - The Storage and Handling of Liquefied Chlorine Gas

AS/NZS 2022:2003 - Anhydrous ammonia - Storage and handling

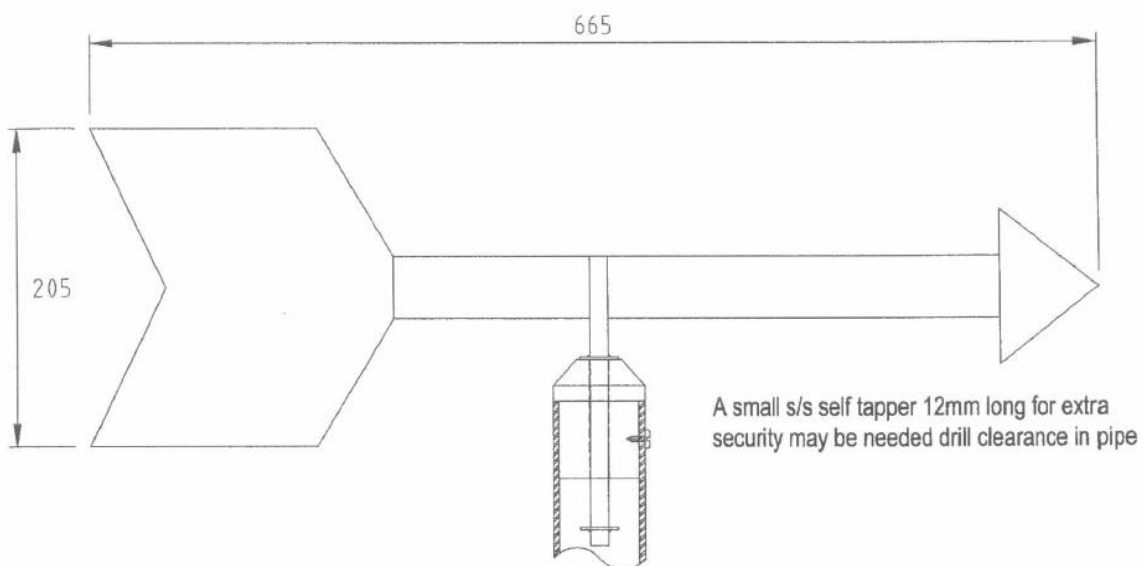
Dangerous Goods Safety (Storage and Handling of Non-explosives) Regulations 2007 WA

5 Specification

WINDVANE & ASSEMBLY – is a standard design, manufactured from 316 stainless steel frames with a Lubron machined bush to suit the I.D. of a galvanised pole that is secured with a self taper. The **Windvane** has orange and yellow reflective tape on the arrow and tail sections of the vane.

- The **Windvane Assembly** must be located within the site boundary, must be able to be seen from the main entry gate and placed in a position that is clear of buildings and trees that may interfere with the normal wind patterns.
- For ground level installation the **Windvane Assembly** may be located on a Break Back Pole to allow for ease of safe maintenance.
- For an elevated installation the **Windvane Assembly** may be located on a Safe Swivel Light Pole to also allow for safe and easy maintenance.
- The height of the support pole will determine the pipe size. The pole diameter and wall thickness may be required to be increased in areas susceptible to strong or cyclonic winds.

NOTE: This complete **Windvane Assembly** is available through Spurling Engineering (Bunbury) on (08) 9725 4754. The 2023 price is \$330.00 plus GST excluding works.



This weather vane is constructed from 316 stainless steel. It has a bush made from lubron to suit 50nb med wall galvanized pipe (3.6wall) . It has reflective tape on the arrow and tail sections.

Document Revision History	
26 Feb 2002	Document developed by RB & reviewed by NH
7 May 2007	Document reviewed by RB & NH
17 Sept 2008	Document placed in Aqua PM# 1087429
3 Aug 2010	Document placed in Cordoc format by SZ
25 Aug 2010	Document reviewed by RB & NH
8 Oct 2013	Document reviewed by SZ & NH
04 Oct 2016	Document reviewed by SZ & NH
14 Sept 2017	Revision table updated to remove names
02 Oct 2020	Document reviewed by SZ & NH
4 Dec 2023	Document reviewed by SZ & NH